

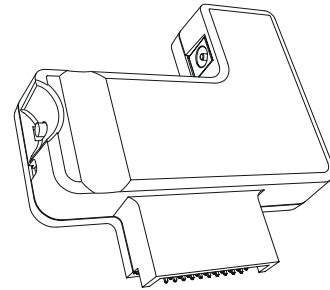
Wireless Bluetooth® Connection for SMART Board™ 600 Series Interactive Whiteboards

Specifications – Model WC6

NOTE: Approved for North America and the United Kingdom.

Physical Specifications

Size	3 1/2" W × 3 1/4" H (8.9 cm × 8.3 cm)
Weight	less than 1 oz. (10 g)
Shipping Size	8 3/4" W × 8 1/2" D × 2 1/2" H (22.2 cm × 21.6 cm × 6.4 cm)
Shipping Weight	1 1/4 lb. (0.6 kg)



All dimensions +/- 1/8" (3.2 mm).

Standard Features

Software	SMART Board software (version 9.1.4 for Windows or version 8.1.5 for Mac), Notebook™ software and SC9 firmware (version 2.0.6.0) provided on accompanying CD. NOTE: Although SMART Board software and Notebook software work with the Windows® 98 and Windows NT® 4.0 (SP6) operating systems, the Wireless Bluetooth Connection is not supported by the Windows NT operating system. As well, SMART Board software and Notebook software work with several versions of the Mac OS X operating system, but the Wireless Bluetooth Connection requires Mac OS X version 10.3.3 or later.
Technology	Bluetooth 2.0 industry-standard wireless technology
Host Interface	USB only interface (at computer) NOTES The host interface is a SMART proprietary interface; it is <i>not</i> a standard Bluetooth adapter interface. You cannot use the USB audio system for SMART Board 600 series interactive whiteboards in conjunction with the WC6 Wireless Bluetooth Connection to create a completely wireless system. The USB audio system requires a USB cable connection to the host computer.
Security	56-bit encryption support. Bluetooth security is built into the paired components.
Radio Frequency	2.4 GHz ISM band
Modulation	Gaussian Frequency Shift Keying (GFSK) with modulation index (bandwidth-time product, BT) limited to 0.28–0.35 (corresponding to a maximum frequency deviation of 140 kHz–175 kHz)
FHSS	Frequency Hopping Spread Spectrum at up to 1,600 hops/second amongst 79 channels, spaced at 1 MHz separation
Speed	721 kbps
Transmission Power	Class 2, 2.5 mW, 4 dBm with a typical range of 30' (10 m)
Receiver Sensitivity	-80 dBm at 1e-5 BER (typical)
Antenna	Integrated antenna
LED Indicators	Red and green LEDs at both ends indicate link status
Operating Temperature	41°F to 95°F (5°C to 35°C) with up to 80% humidity non-condensing
Configuration	Plug and Play (no additional software required)
Power Supply	Input: 100V–240V AC, 50 Hz–60 Hz, 0.6A Output: 7V DC, 2.14A
Power Consumption	Maximum consumption of 30 watts during the initialization or pairing sequence, that drops to less than 7 watts during normal operation.
Certification and Regulator Compliance	FCC, CSA/UL, CE
Warranty	One-year limited equipment warranty

SMART Board Software 9.5 Computer Requirements

Windows Computers

Pentium® II 450 MHz processor
128 MB of RAM (256 MB recommended)
136 MB of free hard disk space for minimum installation (511 MB for full installation with Gallery collections)
Windows NT 4.0 (SP6), Windows 98 operating system or later
Microsoft Internet Explorer® 6.0 or later
Macromedia® Flash® player version 8

NOTE: The optional USB-dependent Wireless Bluetooth Connection is not supported by the Windows NT operating system. Also, the AirLiner™ wireless slate requires the Windows 2000 or Windows XP operating system.

Requirements for SMART Video Player

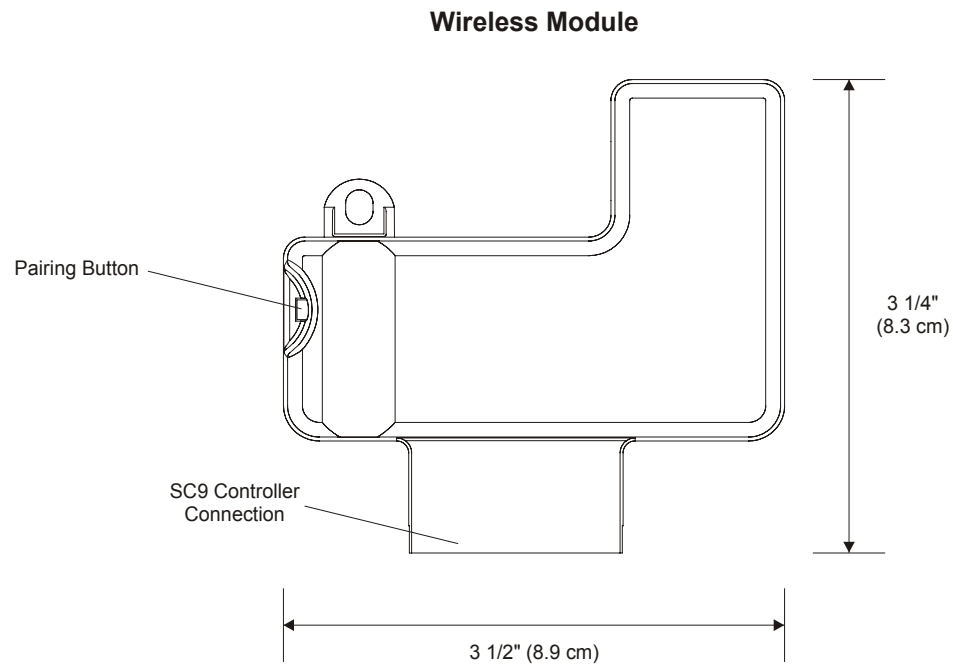
Pentium II 450 MHz processor (700 MHz or faster recommended)
Windows 98 operating system or later. Does not run on the Windows NT operating system.
Microsoft® DirectX® technology 8.1 or later

Mac Computers

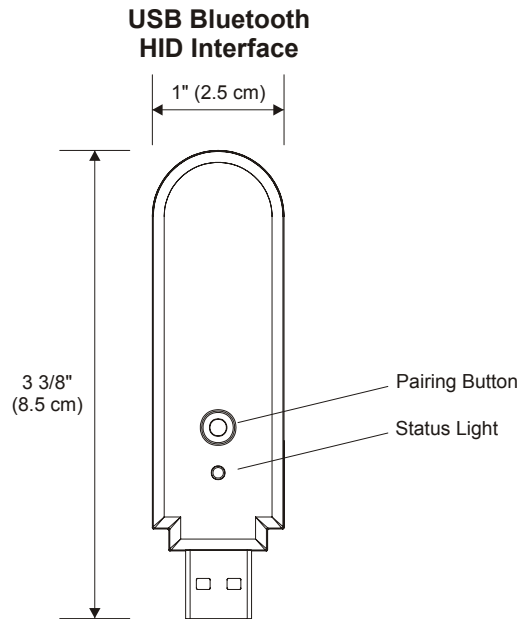
700 MHz processor (1 GHz or faster recommended)
128 MB of RAM (256 MB recommended)
Mac OS X versions 10.3.9 and 10.4.x
148 MB of free hard disk space for minimum installation (423 MB for full installation with Gallery collections)
Available powered USB port
Safari 1.3.2 or later
SMART Board software version 9.5 supports Intel processors (Universal Binary)

NOTE: Previous versions of SMART Board software are compatible with earlier versions of the Mac OS X operating system. To download a previous version of SMART Board software, go to www.smarttech.com/support/software/sb_mac_other.asp.

Dimensions



Specifications – Model WC6



SMART Order Number

WC6-NA	Wireless Bluetooth Connection for SMART Board 600 series interactive whiteboard (U.S. and Canada only)
WC6-UK	Wireless Bluetooth Connection for SMART Board 600 series interactive whiteboard (United Kingdom only)

SMART Technologies Inc.
1207 – 11 Avenue SW, Suite 300
Calgary, AB T3C 0M5
CANADA
Phone +1.403.245.0333
Toll Free 1.888.42.SMART (Canada/U.S.)
info@smarttech.com www.smarttech.com

SMART
Technologies