



Waste Electrical and Electronic Equipment Regulations

This section contains information about the Waste Electrical and Electronic Equipment Regulations (WEEE) that apply to all electrical and electronic equipment within the European Union.

When you dispose of any electrical or electronic equipment, including SMART products, we strongly encourage you to contact your local WEEE recycling agency for recycling and disposal advice.

Your SMART product required the extraction and use of natural resources for its production. It may contain hazardous substances. By disposing of electrical and electronic equipment appropriately, you lower the impact of these substances upon health and the environment and reduce the pressure on natural resources. Recycling agencies can reuse or recycle most of the materials from your product.

Please think about how you intend to dispose of any product that has a WEEE symbol or accompanying WEEE guidelines.

If you need more information on the collection, reuse and recycling of electrical and electronic equipment, please contact your local WEEE recycling agency. Alternatively, contact your local reseller or SMART Technologies for information on the environmental performance of our products.



FCC Notice

This device complies with Part 15 of the FCC Rules. Operation is subject to the following two conditions: (1) this device may not cause harmful interference, and (2) this device must accept any interference received, including interference that may cause undesired operation.

This equipment has been tested and found to comply with the limits for a Class B digital device, pursuant to Part 15 of FCC Rules. These limits are designed to provide reasonable protection against harmful interference in a residential installation.

This equipment generates, uses and can radiate radio frequency energy and, if not installed and used in accordance with the instructions, may cause harmful interference to radio communications. However, there is no guarantee that interference will not occur in a particular installation.

You can determine whether the equipment is causing interference by disconnecting it from your computer. If the interference stops, it was probably caused by the equipment.

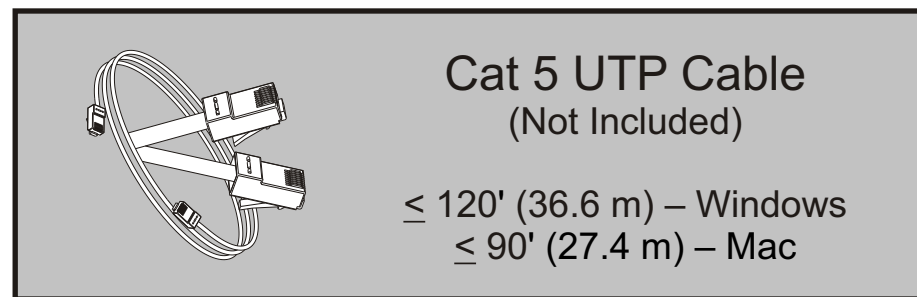
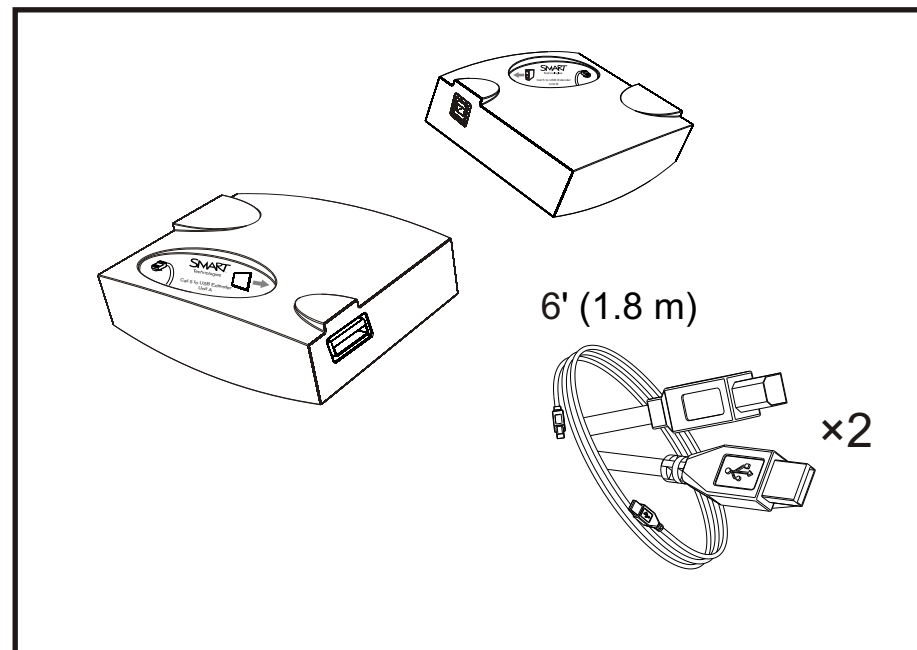
If the equipment does cause interference to radio or television reception, you may be able to correct the interference by using one or more of the following measures:

- Rotate the television or radio antenna until the interference stops.
- Move the equipment farther away from the television or radio.
- Plug the equipment and computer into an outlet that is on a different circuit from the television

If necessary, consult SMART Technologies Inc. or an experienced radio/television technician for help.

Changes or modifications to this product not authorized by SMART Technologies Inc. could void the FCC Certification and negate your authority to operate the product.

Cat 5 to USB Extender (CAT5-XT)



SMART Technologies Inc
1207 – 11 Avenue SW, Suite 300
Calgary, AB T3C 0M5
CANADA

www.smarttech.com/support www.smarttech.com/contactsupport
Support +1.403.228.5940 or Toll Free 1.866.518.6791 (Canada/U.S.)

© 2005–2007 SMART Technologies Inc. All rights reserved. The SMART logo and smarttech are trademarks or registered trademarks of SMART Technologies Inc. in the U.S. and/or other countries. All other third-party product and company names may be trademarks of their respective owners. Contents are subject to change without notice. Printed in Canada. 06/2007.

SMART
Technologies

99-00708-20 REV A0

