

PLEASE THINK BEFORE YOU PRINT

Specifications

Mobile floor stand for 64"– 87" SMART Board™ interactive whiteboards

Model FS-SB/FS-SB660

Physical specifications

Size

Anti-tip feet lowered
(Fully extended height) 47 3/8" W × 69 5/8" H × 43 1/2" D
(120.5 cm × 176.8 cm × 110.5 cm)

Anti-tip feet raised
(Fully extended height) 47 3/8" W × 69 5/8" H × 33 3/8" D
(120.5 cm × 176.8 cm × 84.8 cm)

Weight 49 lb. (22.2 kg)

Shipping size

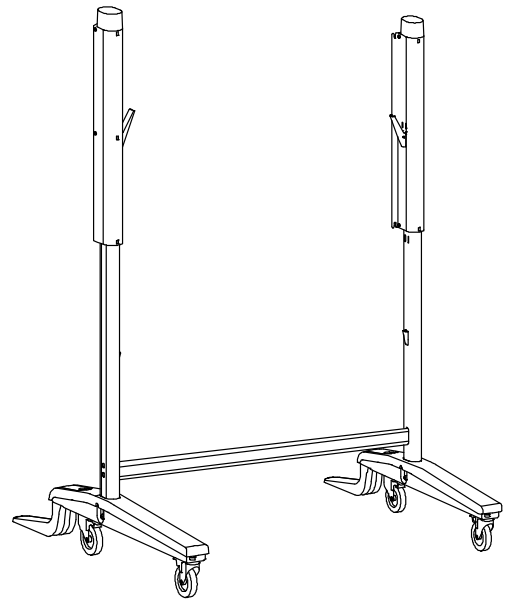
1 unit 51" W × 12 3/4" H × 9 1/4" D
(129.5 cm × 32.4 cm × 23.5 cm)

15 units on pallet 52" W × 43" H × 48" D
(132.1 cm × 109.2 cm × 121.9 cm)

Shipping weight

1 unit 60 lb. (27.2 kg)

15 units on pallet 920 lb. (417.3 kg)



All dimensions +/- 1/8" (0.3 cm). All weights +/- 2 lb. (0.9 kg)

i NOTE

Go to smarttech.com/support to find your interactive whiteboard's specifications.

Extraordinary made simple™

SMART™

SPECIFICATIONS

Mobile floor stand for 64"– 87" SMART Board interactive whiteboards – Model FS-SB/FS-SB660

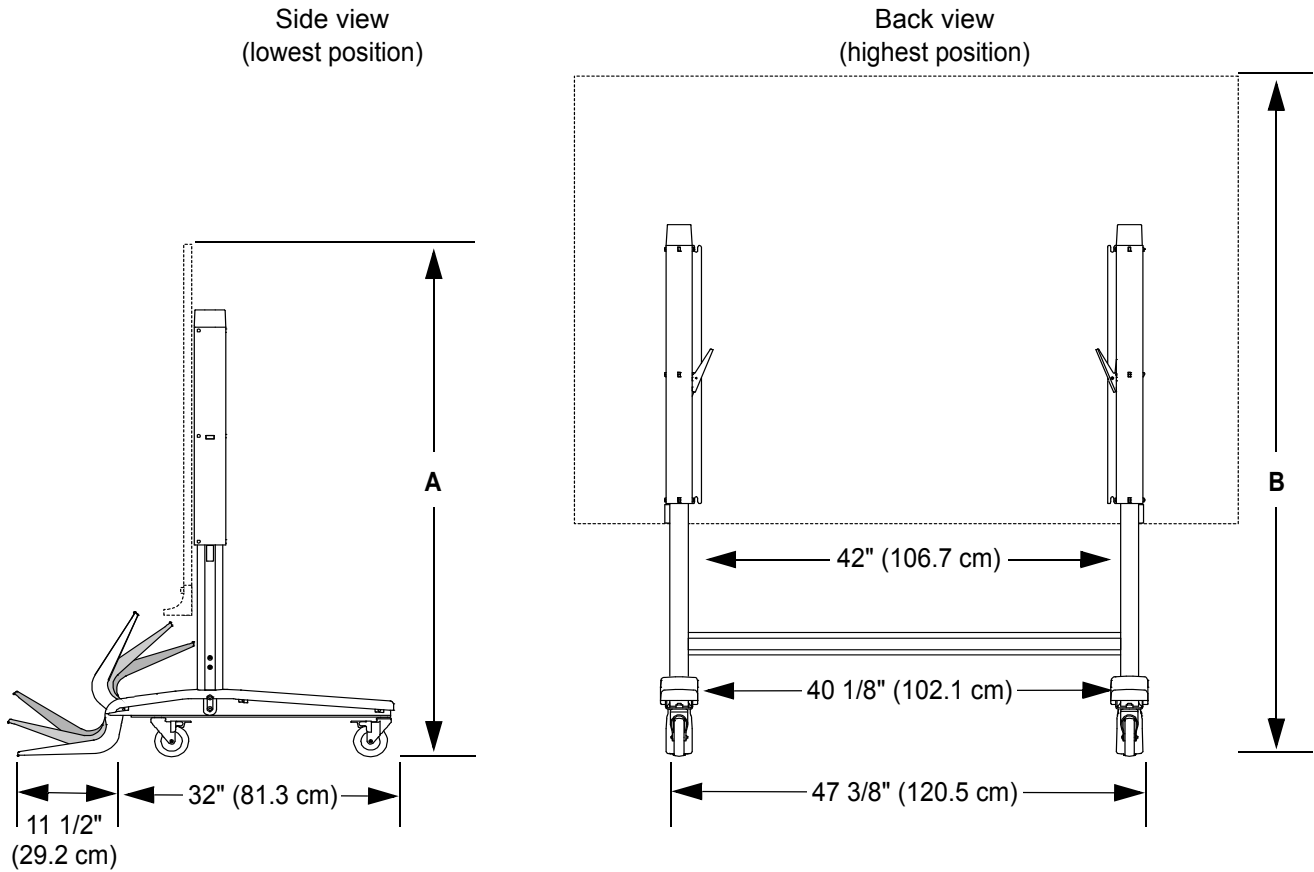
Standard features

Height adjustment	Adjustment in eight 2" (5.1 cm) increments
System stability	The mobile floor stand is equipped with four 4" (10 cm) locking casters and two anti-tip feet compliant with CSA safety requirements. The wide footprint and reinforced steel frame provide excellent stability for writing on or touching your interactive product.
Mobility	The self-contained system rolls on 4" (10 cm) heavy-duty, non-marking, locking casters.
Security	Height-adjustable mount automatically locks in position
Warranty	One-year limited warranty
Safety standards	CSA certified
SMART order number	FS-SB Mobile floor stand for 77" – 87" SMART Board interactive whiteboards FS-SB660 Mobile floor stand for SMART Board 660 interactive whiteboards

SPECIFICATIONS

Mobile floor stand for 64"- 87" SMART Board interactive whiteboards – Model FS-SB/FS-SB660

Physical dimensions



A

B

Model	Minimum height	Maximum height
SB680/SB685	68" (172.7 cm)	82" (208.3 cm)
SB880/SB885	68 7/8" (174.9 cm)	82 7/8" (210.5 cm)
SB660	64 1/8" (162.9 cm)	78 1/8" (198.4 cm)

www.smarttech.com/support
www.smarttech.com/contactsupport



© 2011 SMART Technologies ULC. All rights reserved. SMART Board, the SMART logo, smarttech and all SMART taglines are trademarks or registered trademarks of SMART Technologies ULC in the U.S. and/or other countries. All third-party product and company names may be trademarks of their respective owners. Patents pending. Contents are subject to change without notice. 04/2011.