

Projector Wall Mount for SMART Board™ Interactive Whiteboards

Specifications – Model PMWT-560/PMWT-580

Physical Specifications

	PMWT-560	PMWT-580
Size	24" W × 25 1/2" H × 24 3/16" D (61.0 cm × 64.8 cm × 61.4 cm)	24" W × 27 1/8" H × 23 13/16" D (61.0 cm × 68.9 cm × 60.5 cm)
Weight (Projector Wall Mount Only)	10 1/2 lb. (4.8 kg)	10 1/2 lb. (4.8 kg)
Weight (Projector Wall Mount, Projector and Interactive Whiteboard)	59 1/2 lb. (27.0 kg)	64 1/2 lb. (29.3 kg)
Recommended Minimum Ceiling Height	8'5" (2.57 m)	8'9" (2.67 m)
Shipping Size	28 3/4" W × 28 3/4" H × 9" D (73.0 cm × 73.0 cm × 22.9 cm)	28 3/4" W × 28 3/4" H × 9" D (73.0 cm × 73.0 cm × 22.9 cm)
Shipping Weight	20 lb. (9.1 kg)	20 lb. (9.1 kg)

All dimensions +/- 1/8" (3.2 mm). All weights +/- 2 lb. (0.9 kg).

Standard Features

Finish	Silver-textured, powder-coated aluminum and steel construction
Projector Wall Mount	Two projector brackets allow you to install the NEC WT600 projector with a SMART Board 560 interactive whiteboard or a SMART Board 580 interactive whiteboard. The NEC WT600 projector is not included, so you must order it separately from your NEC dealer.
Projector	You can only mount an NEC WT600 projector on the projector wall mount. The cables that come with the projector often can't reach the power outlet and the computer, so you may need to purchase longer cables.
Toggle Wall Anchor	Six 1/4-20 toggle wall anchors are included to install the projector wall mount on hollow stud walls clad with drywall sheeting NOTE: To install the projector wall mount on concrete or cinder block, you'll need six anchoring devices that are suitable for the type of wall and are compatible with the provided 1/4-20 × 2" security hex screws. Such anchors usually require a drill and bit of a particular type and size. For more information, consult the directions that are included with the anchoring devices.
Screws and Keys	Ten No. 8-32 × 1/2", four No. 8-32 × 1" and six 1/4-20 × 2" security hex screws as well as four TORX® M4 × 40 mm security screws to safeguard the projector and mount. A 5/32" security hex key and a TR20 security TORX key are also included.
Warranty	Two-year limited equipment warranty

Installation Heights

When you install the projector mount above an interactive whiteboard, you must consider the height of the room's ceiling. A ceiling height of 8'5" (2.57 m) will accommodate the recommended installation height for the pen tray of the SMART Board 560 interactive whiteboard, while a ceiling height of 8'9" (2.67 m) will accommodate the recommended height for the pen tray of the SMART Board 580 interactive whiteboard. If you have a low ceiling, the pen tray will be below the recommended height.

The following table shows the approximate resulting pen tray heights (measured from the floor) for various ceiling heights.

	Ceiling Height 8' (2.44 m)	Ceiling Height 8'5" (2.57 m) or Higher	Ceiling Height 8'9" (2.67 m) or Higher
PMWT-560 Pen Tray Height from Floor	31 1/2" (80.0 cm) (below recommended installation height)	36" (91.4 cm) (recommended installation height)	36" (91.4 cm) (recommended installation height)
PMWT-580 Pen Tray Height from Floor	23 1/4" (59.1 cm) (below recommended installation height)	28 1/4" (71.8 cm) (below recommended installation height)	32" (81.3 cm) (recommended installation height)

SMART Order Number

PMWT-560	Projector wall mount for a SMART Board 560 interactive whiteboard that measures 60" (152.4 cm) on the diagonal
PMWT-580	Projector wall mount for a SMART Board 580 interactive whiteboard that measures 72" (182.9 cm) on the diagonal

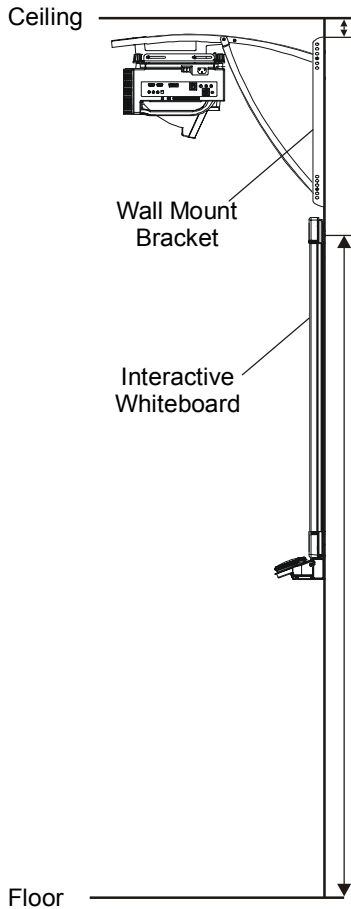
SMART Technologies Inc.

Suite 300, 1207 – 11th Avenue SW
 Calgary, AB CANADA T3C 0M5
 Main Switchboard: 1.888.42.SMART (Canada/U.S.) or +1.403.245.0333 (all other countries)
 Support Tel: 1.866.518.6791 (Canada/U.S.) or +1.403.228.5940 (all other countries)
 Support Fax: +1.403.806.1256
 support@smarttech.com www.smarttech.com



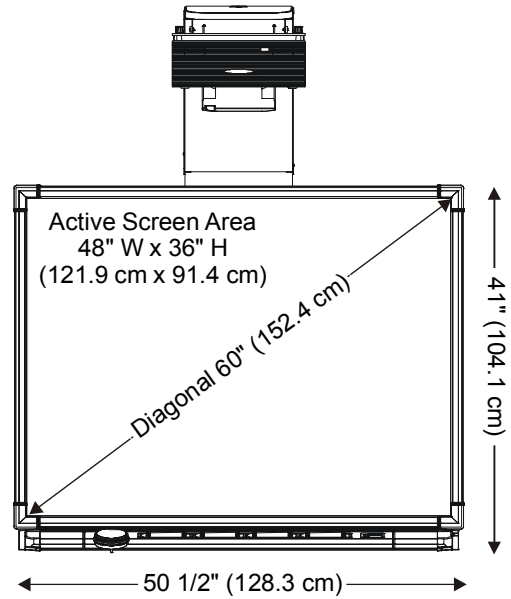
Projector Wall Mount for SMART Board™ Interactive Whiteboards

Specifications – Model PMWT-560



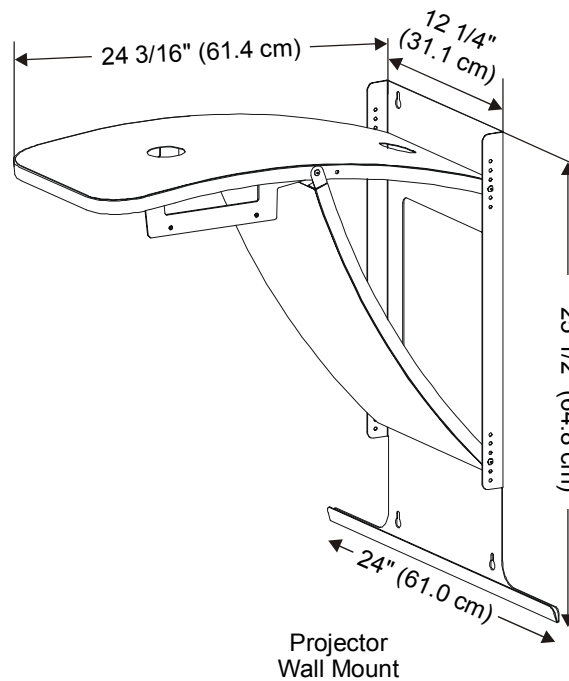
For ceilings lower than 8'5" (2.57 m) the required distance from the ceiling to the top of the wall mount bracket is 3 1/2" (8.9 cm)

For ceilings higher than 8'5" (2.57 m) the recommended distance from the floor to the lower anchors of the wall mount bracket is 74 1/2" (189.2 cm)



The recommended pen tray height is 36" (91.4 cm) from the floor.

NOTE: A SMART Board 560 interactive whiteboard and an NEC WT600 projector are not included.



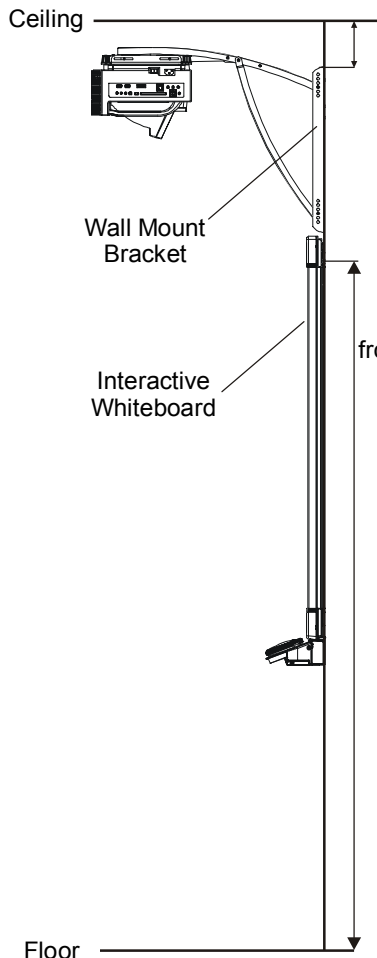
Projector Wall Mount

All dimensions +/- 1/8" (0.3 cm)



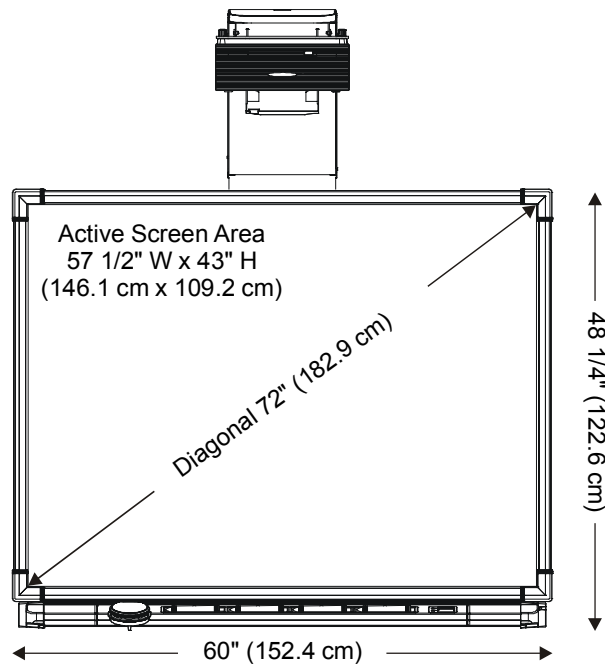
Projector Wall Mount for SMART Board™ Interactive Whiteboards

Specifications – Model PMWT-580



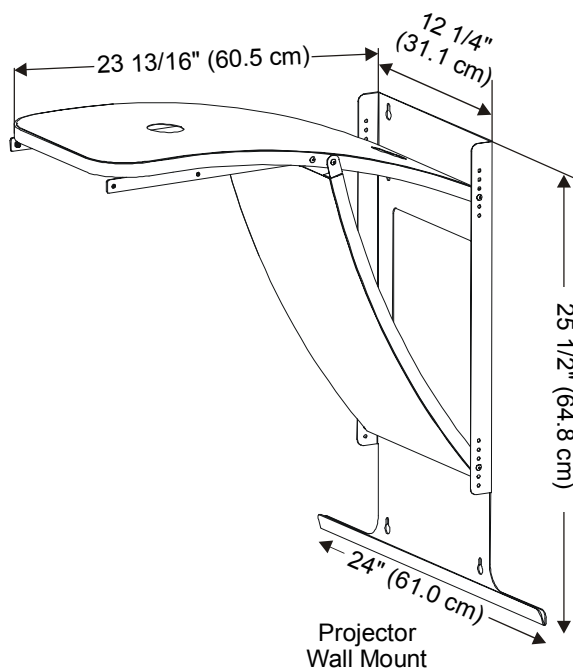
For ceilings lower than 8'9" (2.67 m) the required distance from the ceiling to the top of the wall mount bracket is 4" (10.2 cm)

For ceilings higher than 8'9" (2.67 m) the recommended distance from the floor to the lower anchors of the wall mount bracket is 77" (195.6 cm)



The recommended pen tray height is 32" (81.3 cm) from the floor.

NOTE: A SMART Board 580 interactive whiteboard and an NEC WT600 projector are not included.

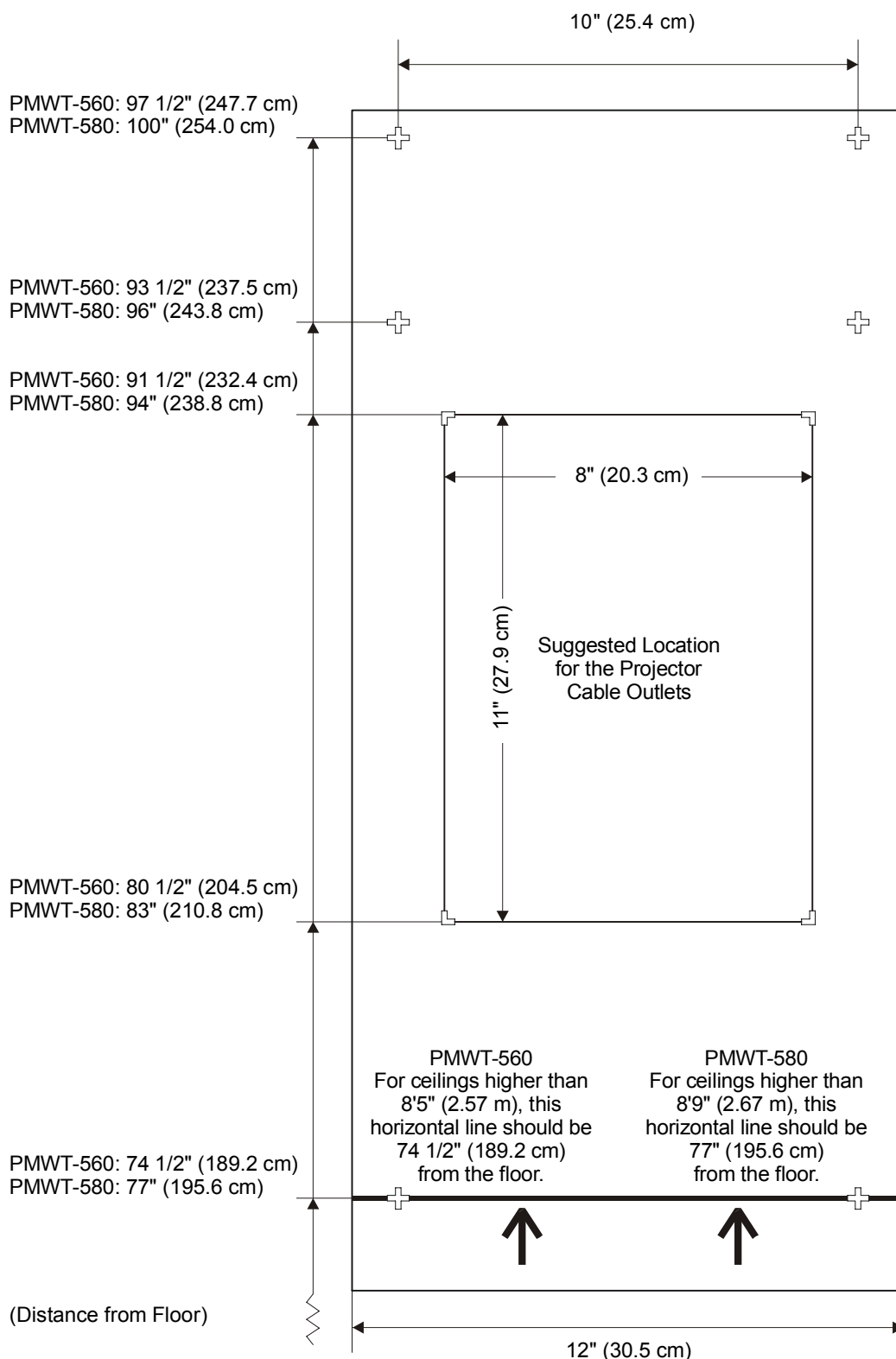


All dimensions +/- 1/8" (0.3 cm)



Projector Wall Mount for SMART Board™ Interactive Whiteboards

Template for Installing the PMWT-560 or PMWT-580 in a Room with a High Ceiling



NOTE: This template is for rooms with ceilings that are 8'5" (2.57 m) or higher (for the PMWT-560) and for rooms with ceilings that are 8'9" (2.67 m) or higher (for the PMWT-580).

NOTE: If you install the projector wall mount at a lower height, the pen tray height will be lower than recommended.

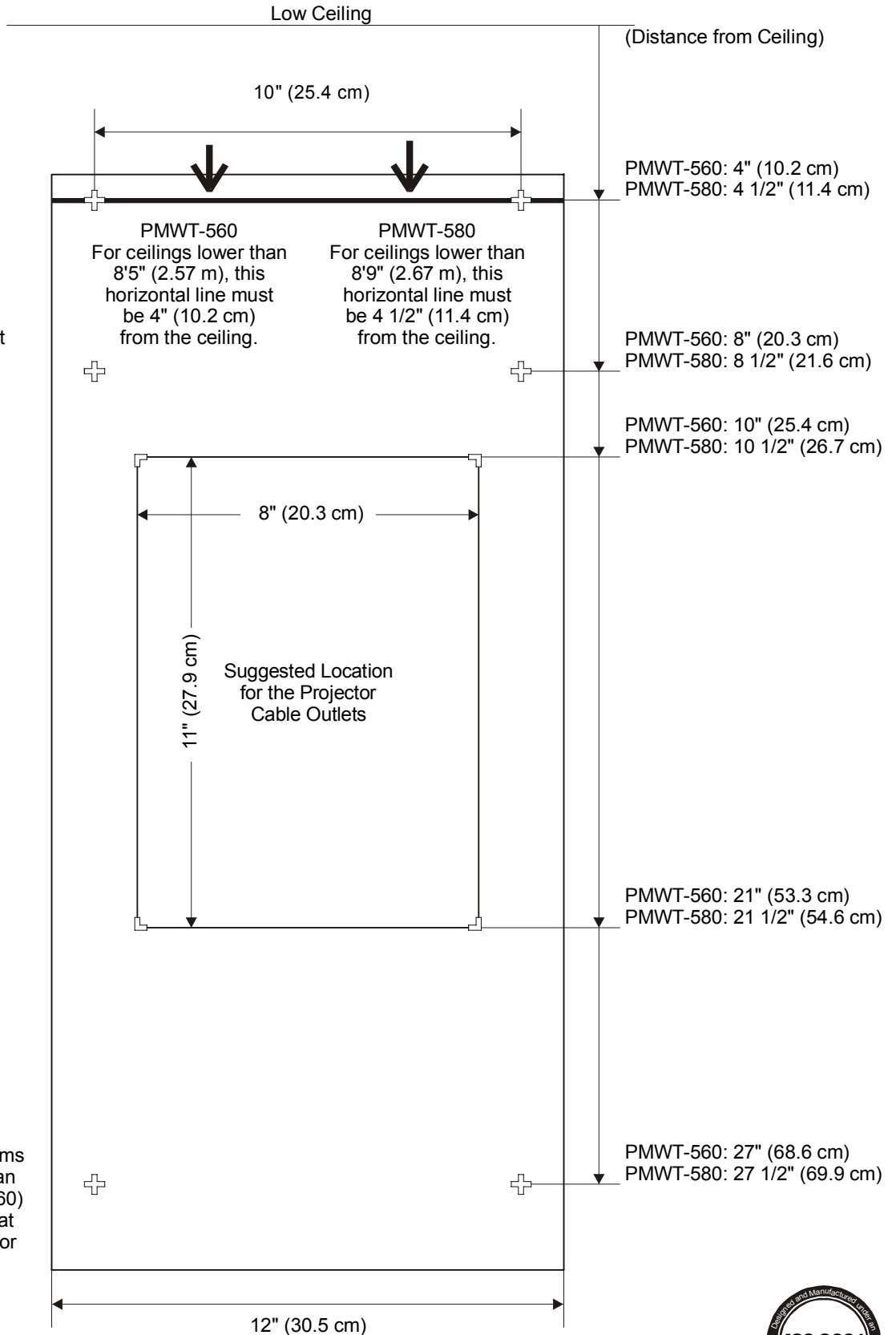


All dimensions +/- 1/8" (0.3 cm)

Projector Wall Mount for SMART Board™ Interactive Whiteboards

Template for Installing the PMWT-560 or the PMWT-580 in a Room with a Low Ceiling

NOTE: If you install the projector wall mount in a higher position than recommended, you will not have adequate clearance between the projector mount and the ceiling.



NOTE: This template is for rooms with ceilings that are lower than 8'5" (2.57 m) (for the PMWT-560) and for rooms with ceilings that are lower than 8'9" (2.67 m) (for the PMWT-580).

All dimensions +/- 1/8" (0.3 cm)

