

# Projector Wall Mount for SMART Board™ Interactive Whiteboards

## Specifications – Model PMWT-660/PMWT-680

Physical Specifications	PMWT-660	PMWT-680
<b>Size</b>	32 1/8" W × 28" H × 27 1/8" D (81.6 cm × 71.2 cm × 68.8 cm)	32 1/8" W × 29 1/4" H × 27 1/8" D (81.6 cm × 74.2 cm × 68.8 cm)
<b>Weight</b> (Projector Wall Mount Only)	10 1/2 lb. (4.8 kg)	10 1/2 lb. (4.8 kg)
<b>Weight</b> (Projector Wall Mount, Projector and Interactive Whiteboard)	51 1/2 lb. (23.4 kg)	53 1/2 lb. (24.3 kg)
<b>Recommended Minimum Ceiling Height</b>	8'4" (2.54 m)	9'1" (2.76 m)
<b>Shipping Size</b>	35" W × 9 1/2" H × 20" D (88.9 cm × 24.1 cm × 50.8 cm)	35" W × 9 1/2" H × 20" D (88.9 cm × 24.1 cm × 50.8 cm)
<b>Shipping Weight</b>	18 lb. (8.2 kg)	18 lb. (8.2 kg)

All dimensions +/- 1/8" (3.2 mm). All weights +/- 2 lb. (0.9 kg).

### Standard Features

<b>Finish</b>	Powder-coated aluminum and steel construction
<b>Projector Wall Mount</b>	Two projector brackets allow you to install the NEC WT600 or NEC WT610 projector with a SMART Board 660 or 680 interactive whiteboard. The projector is not included, so you must order it separately from your NEC dealer.
<b>Projector</b>	You can mount only an NEC WT600 or NEC WT610 projector on the projector wall mount. The cables that come with the projector often can't reach the power outlet and the computer, so you may need to purchase longer cables or install a wall-access panel.
<b>Toggle Wall Anchor</b>	Six 1/4-20 toggle wall anchors are included to install the projector wall mount on hollow stud walls clad with drywall sheeting <b>NOTE:</b> To install the projector wall mount on concrete or cinder block, you'll need six anchoring devices that are suitable for the type of wall and are compatible with the provided 1/4-20 × 2" security hex screws. Such anchors usually require a drill and bit of a particular type and size. For more information, consult the directions that are included with the anchoring devices.
<b>Screws and Keys</b>	Ten No. 8-32 × 1/2", four No. 8-32 × 1" and six 1/4-20 × 2" security hex screws as well as four TORX® M4 × 40 mm security screws to safeguard the projector. A 5/32" security hex key and a TR20 security TORX key are also included.
<b>Warranty</b>	Two-year limited equipment warranty

### Installation Heights

When you install the projector mount above an interactive whiteboard, you must consider the height of the room's ceiling. A ceiling height of 8'4" (2.54 m) will accommodate the recommended installation height for the SMART Board 660 interactive whiteboard, while a ceiling height of 9'1" (2.76 m) will accommodate the recommended height for the SMART Board 680 interactive whiteboard. If you have a low ceiling, the interactive whiteboard will be below the recommended height.

The following table shows the approximate resulting heights (to the top of the interactive whiteboard) for various ceiling heights.

	Ceiling Height 8' (2.44 m)	Ceiling Height 8'4" (2.54 m)	Ceiling Height 9'1" (2.76 m)
<b>PMWT-660</b> <b>Height from Floor to Top of Interactive Whiteboard</b>	69 3/4" (177.2 cm) (below recommended installation height)	73 3/4" (187.3 cm) (recommended installation height)	73 3/4" (187.3 cm) (recommended installation height)
<b>PMWT-680</b> <b>Height from Floor to Top of Interactive Whiteboard</b>	68 3/4" (174.6 cm) (below recommended installation height)	72 3/4" (184.8 cm) (below recommended installation height)	81 3/4" (207.7 cm) (recommended installation height)

### SMART Order Number

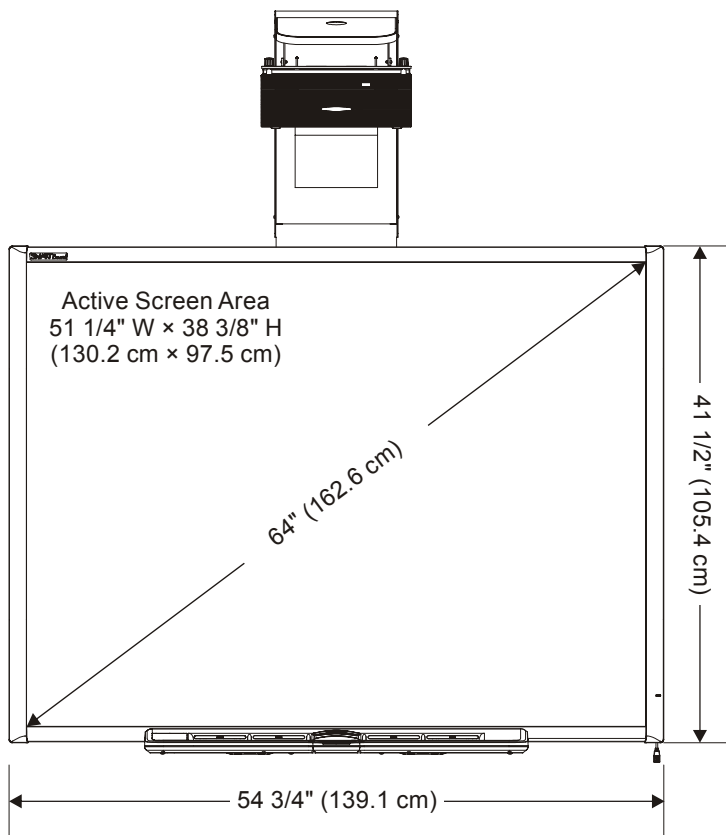
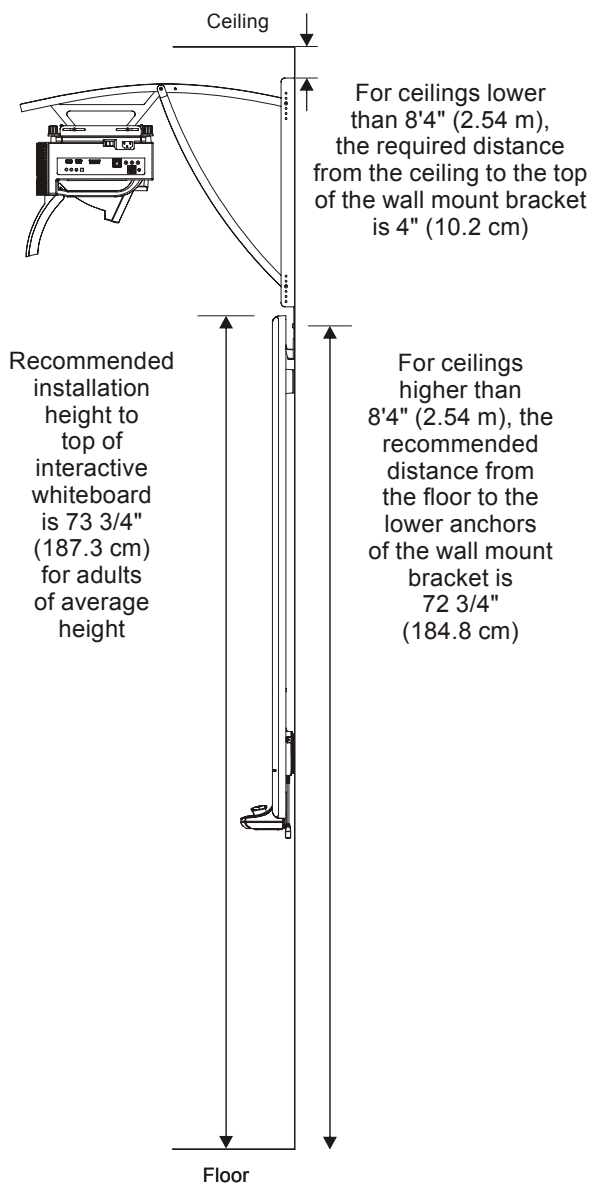
<b>PMWT-660</b>	Projector wall mount for a SMART Board 660 interactive whiteboard
<b>PMWT-680</b>	Projector wall mount for a SMART Board 680 interactive whiteboard

**SMART Technologies Inc.**  
1207 – 11 Avenue SW, Suite 300  
Calgary, AB T3C 0M5  
CANADA  
Phone +1.403.245.0333  
Toll Free 1.888.42.SMART (Canada/U.S.)  
info@smarttech.com www.smarttech.com

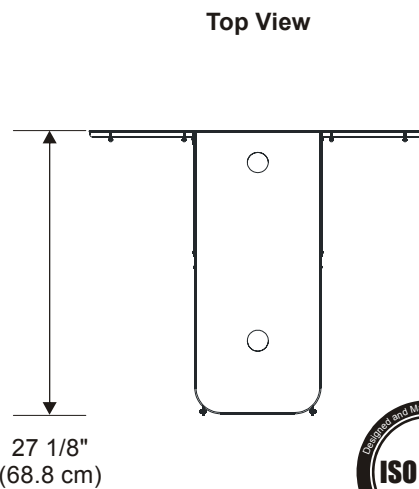
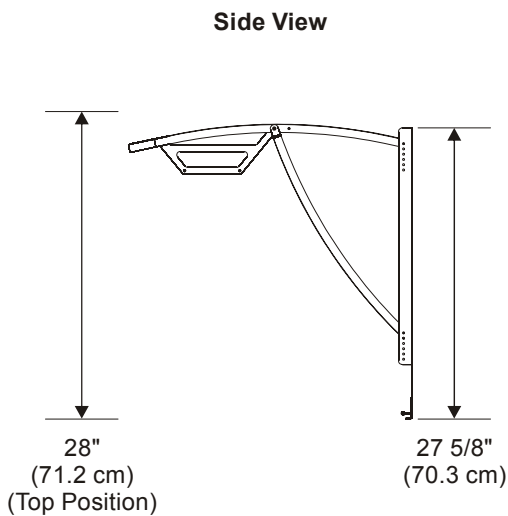
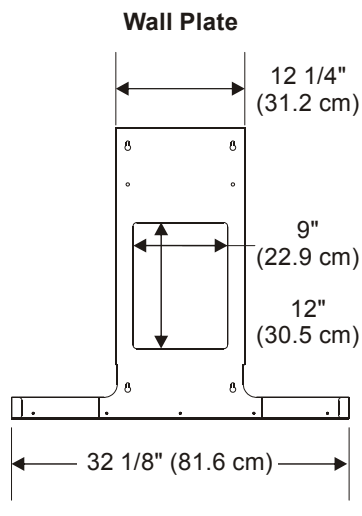
**SMART**  
Technologies

# Projector Wall Mount for SMART Board™ Interactive Whiteboards

## Specifications – Model PMWT-660



**NOTE:** A SMART Board 660 interactive whiteboard and an NEC WT600 or NEC WT610 projector are not included.

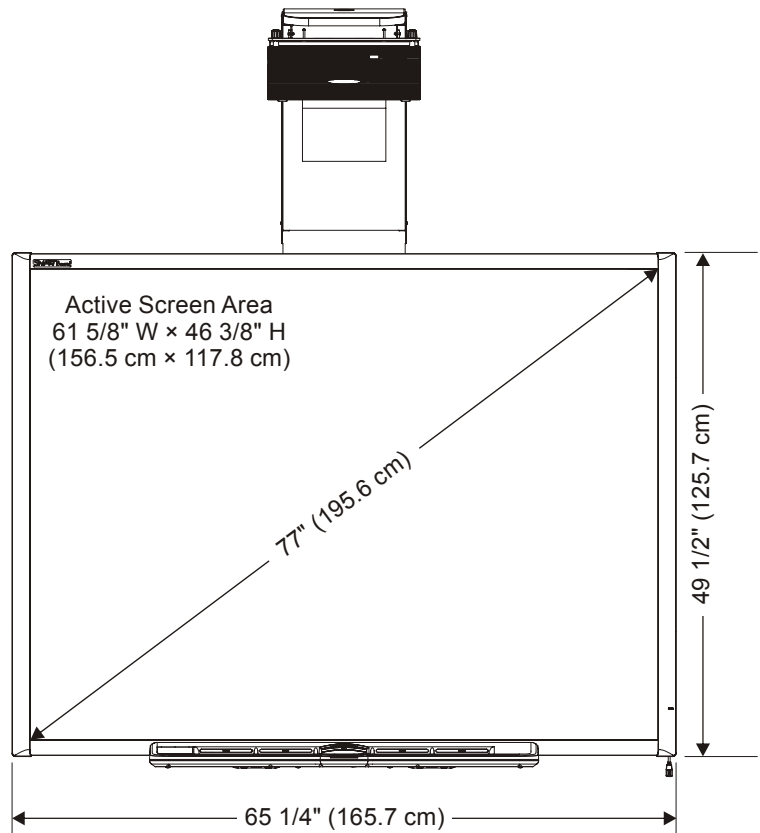
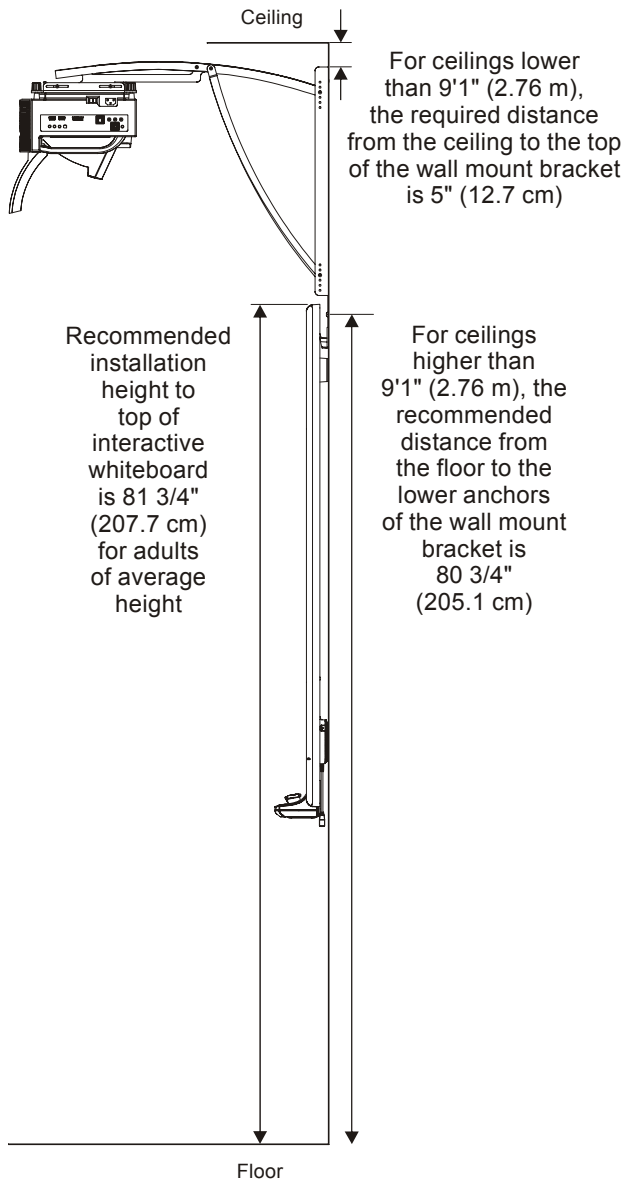


All dimensions +/- 1/8" (0.3 cm)

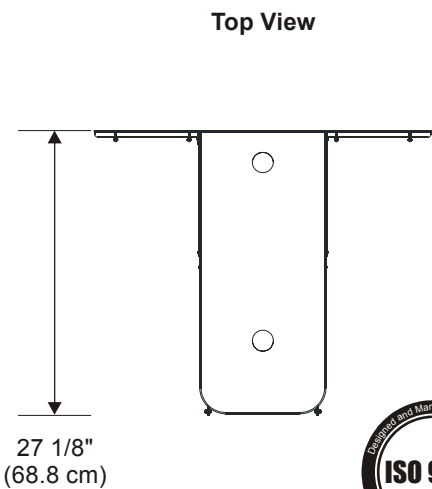
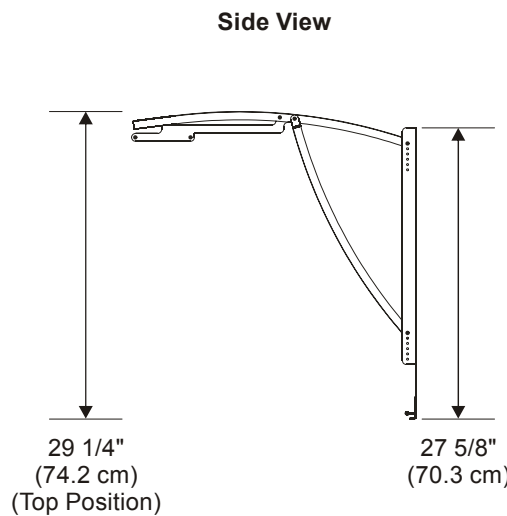
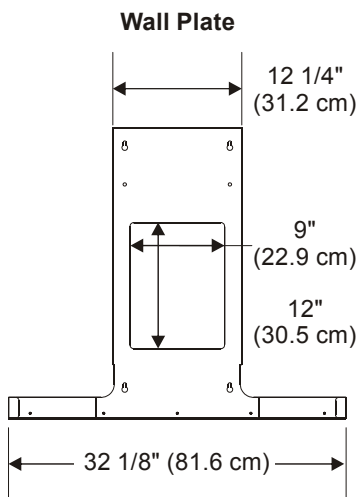


# Projector Wall Mount for SMART Board™ Interactive Whiteboards

## Specifications – Model PMWT-680



**NOTE:** A SMART Board 680 interactive whiteboard and an NEC WT600 or NEC WT610 projector are not included.

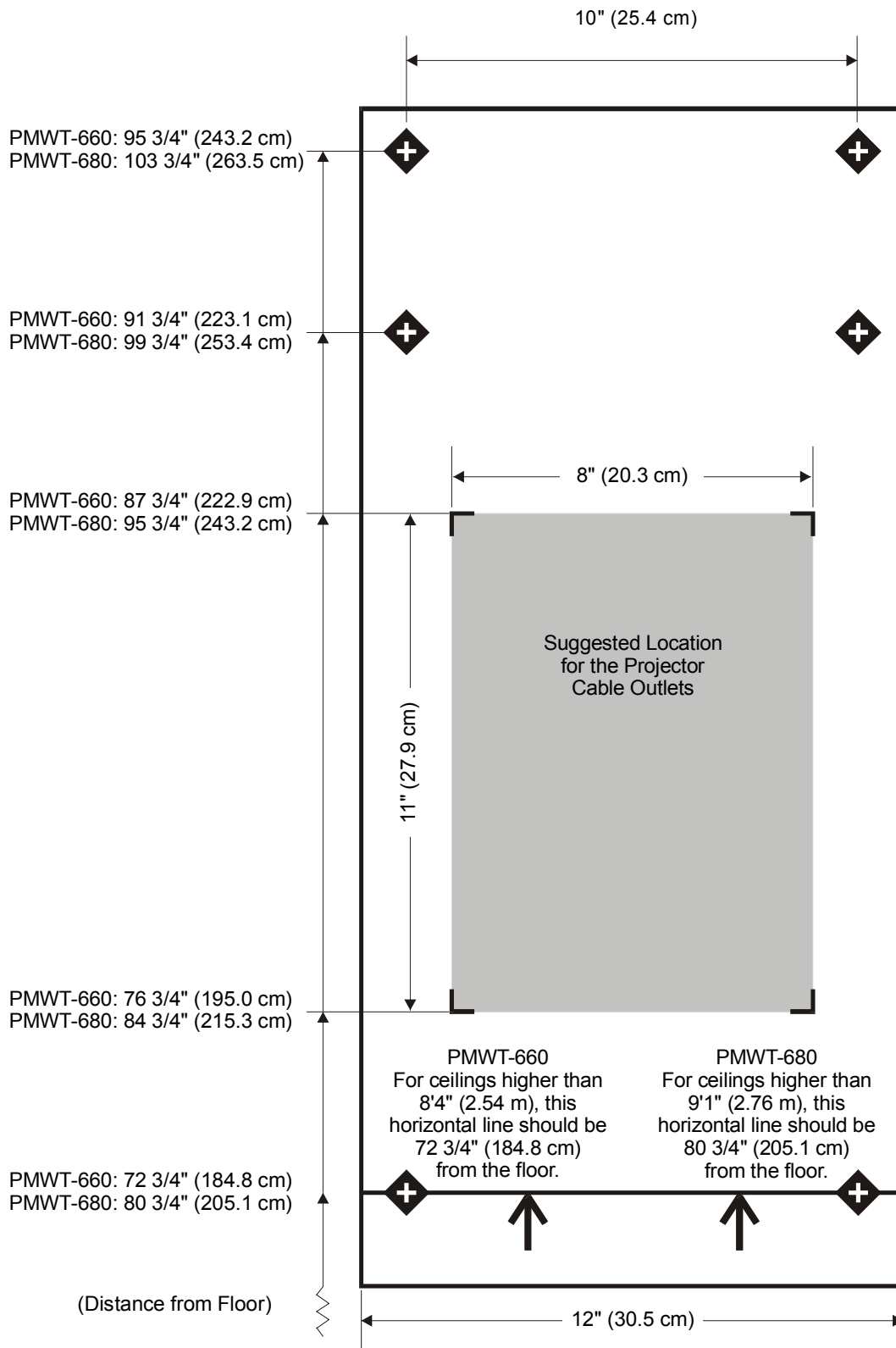


All dimensions +/- 1/8" (0.3 cm)



# Projector Wall Mount for SMART Board™ Interactive Whiteboards

Template for Installing the PMWT-660 or PMWT-680 in a Room with a High Ceiling



**NOTE:** These measurements are for rooms with ceilings that are 8'4" (2.54 m) or higher (for the PMWT-660) and for rooms with ceilings that are 9'1" (2.76 m) or higher (for the PMWT-680).

**NOTE:** If you install the projector wall mount at a lower height, the top of the interactive whiteboard will be lower than recommended.

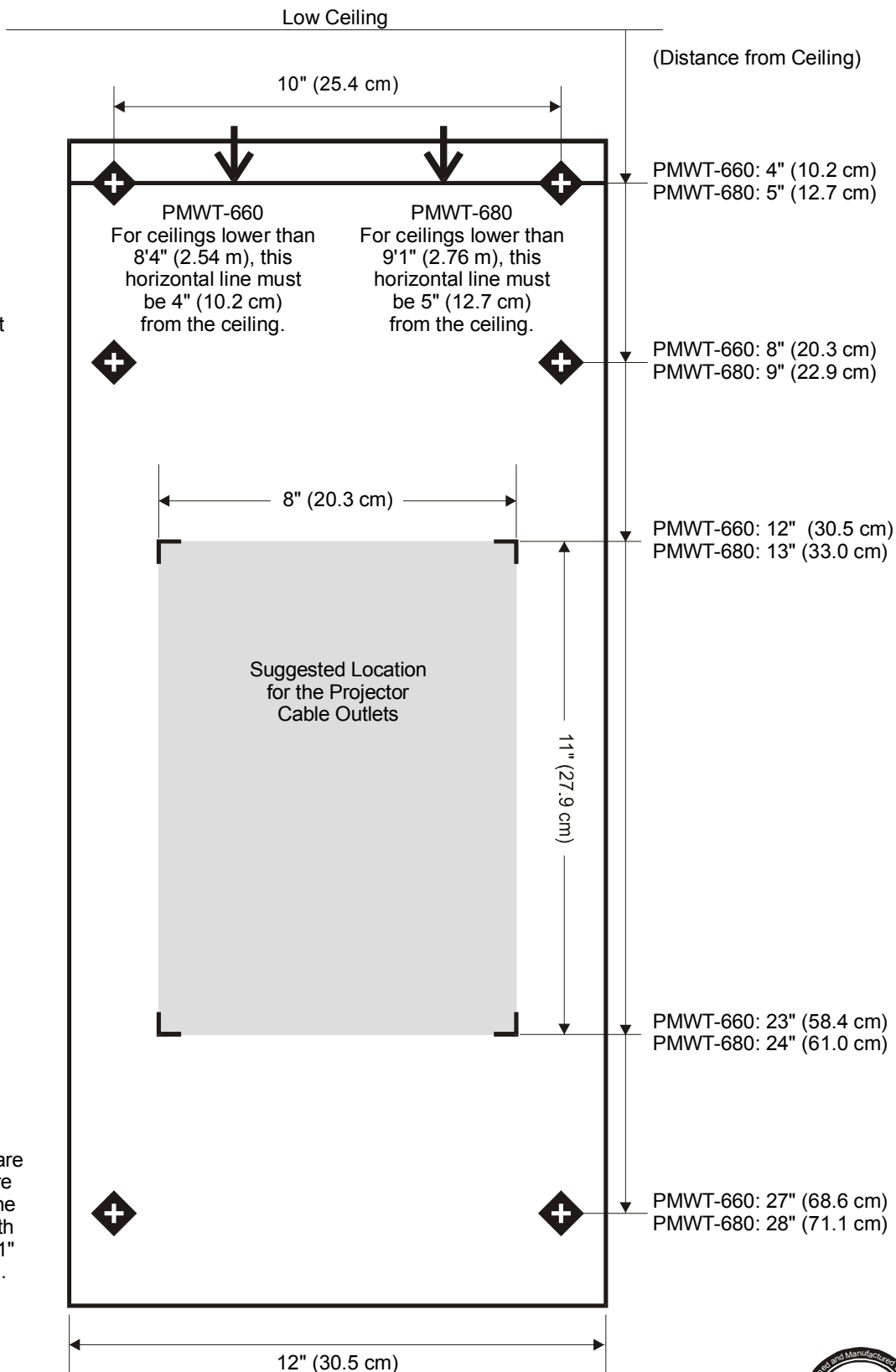


All dimensions +/- 1/8" (0.3 cm)

# Projector Wall Mount for SMART Board™ Interactive Whiteboards

## Template for Installing the PMWT-660 or the PMWT-680 in a Room with a Low Ceiling

**NOTE:** If you install the projector wall mount in a higher position than recommended, you will not have adequate clearance between the projector mount and the ceiling.



**NOTE:** These measurements are for rooms with ceilings that are lower than 8'4" (2.54 m) (for the PMWT-660) and for rooms with ceilings that are lower than 9'1" (2.76 m) (for the PMWT-680).

All dimensions +/- 1/8" (0.3 cm)

