

Specifications

SMART Mobile Stand for interactive flat panels

Model FSSBID 100V

Overview

The SMART Mobile Stand for interactive flat panels is height adjustable and includes integrated speakers, a locking cabinet to secure equipment and casters that swivel and lock for easy movement.

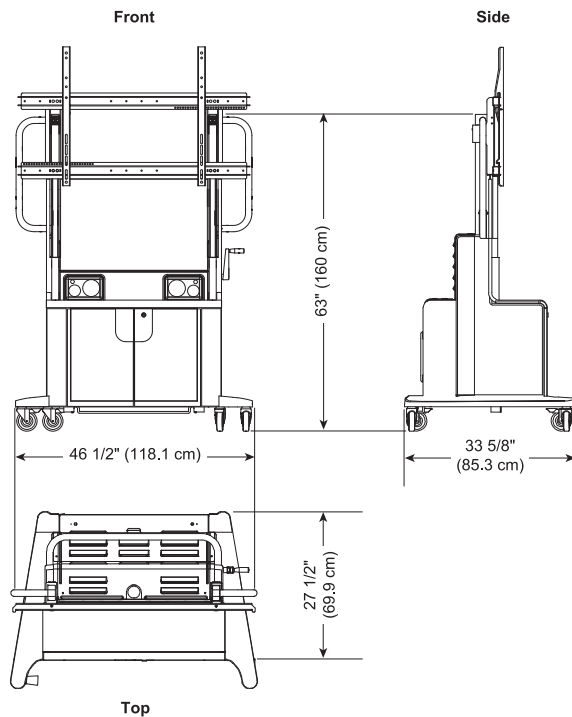
See smarttech.com/supportedpanels for the order numbers, shipping sizes and weights of SMART Board® interactive flat panels and other SMART interactive products supported by the SMART Mobile Stand.

See smarttech.com/businessaccessories for more information on the SMART Mobile Stand and other accessories for your SMART interactive product.



Dimensions and weights¹

Dimensions



Mobile stand weight

247 lb. (112.0 kg)

Interactive flat panel weight

Minimum: 90 lb. (40.8 kg)

Maximum: 265 lb. (120.2 kg)

Shipping dimensions

(1 unit on included pallet)

51" W × 69" H × 40" D

(130 cm × 175 cm × 102 cm)

Shipping weight

335 lb. (151.9 kg)

¹All dimensions ± 1/8" (0.3 cm). All weights ± 2 lb. (0.9 kg).

Standard features

General

Mounting brackets	Universal mounting brackets with locking safety clips, securing compatible SMART interactive products to the mobile stand
Height adjustment	Two-piston hydraulic system Height adjustment over a range of 15 3/4" (40 cm) ²
Mobility	Four 5" (13 cm) heavy duty, non-marking, locking casters One horizontal and two vertical grab bars, enabling you to easily move the unit
Stability	Wide footprint and reinforced steel design for excellent stability when writing on or touching your SMART interactive product
Ventilation	Rear and bottom venting for peripheral devices
Audio	20 W speakers with standard speaker cables.

NOTE

The mobile stand's speakers might not connect directly to a SMART Board interactive flat panel depending on the interactive flat panel model. Additional hardware, amplifiers or cables might be required.

Cabinet	Durable, high-quality, dent-resistant and easy-to-clean finish
Shelving	Two vertically adjustable shelves, with shelf spacing ranging from 2" to 19" (5.1 cm to 48.3 cm)
Computer and rack mount support	Can accommodate a 7 1/2" × 18" × 18" (19.1 cm × 45.7 cm × 45.7 cm) computer tower Can be easily configured for a 19" (48.3 cm) rack mount ³
Security	Sturdy locking cabinet with solid doors providing secure storage
Removable rear access panels	Easy access to peripheral devices for cable installation and power management
Security	Tamper-proof, self-tapping TORX® key hardware

Storage and operating requirements

Storage	-40°F to 140°F (-40°C to 60°C)
Operation	41°F to 86°F (5°C to 30°C) with up to 80% relative humidity, non-condensing

Certification and compliance

CB, CSA/CE, RoHS and WEEE

²When you mount a large SMART interactive product, such as a SMART Board 8070i interactive flat panel, on the mobile stand a locking pin limits the height adjustment to a range of 10 5/8" (27 cm).

³If you want to configure your mobile stand for a rack mount, purchase a hardware accessory kit from your authorized SMART reseller (smarttech.com/where).

Purchasing information

Order numbers

FSSBID 100V SMART Mobile Stand for interactive flat panels

FSSBID RACK MT Rack mount hardware accessory kit, including 16 rack clips

Warranty One-year limited equipment warranty on the stand, height-adjustment mechanism and cabinet

smarttech.com/support

smarttech.com/contactsupport

© 2010-2016 SMART Technologies ULC. All rights reserved. SMART Board, smarttech, the SMART logo and all SMART taglines are trademarks or registered trademarks of SMART Technologies ULC in the U.S. and/or other countries. All third-party product and company names may be trademarks of their respective owners. This product and/or use thereof covered by one or more of the following U.S. patents. www.smarttech.com/patents. Contents are subject to change without notice. 04/2016.