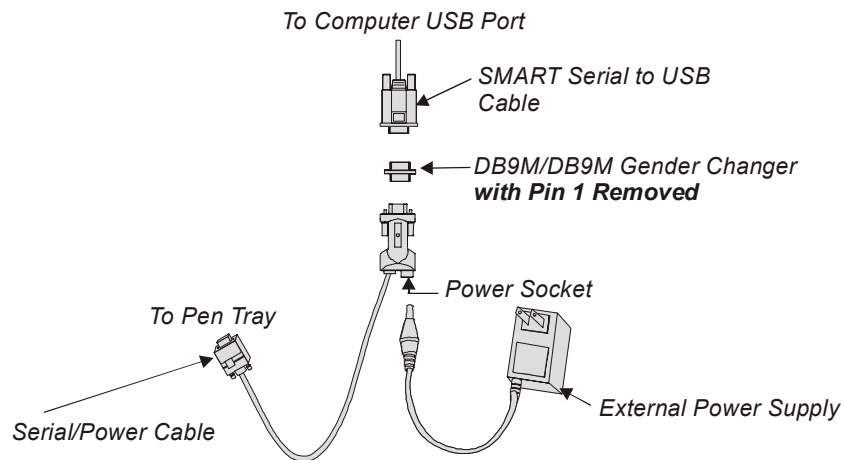


Warning to Customers Extending a SMART USB Cable

A SMART USB cable (Part Number USB-FRU, 21.5' [6.6m]) can be extended to a length of 50' (15.2m) using a 30' (9.1 m) DB9M/DB9F serial extension cable. Total cable length will be 51.5' (15.7 m). For extension requirements greater than 51.5' (15.7 m), you must connect the SMART USB cable to a gender changer, a SMART serial/power cable, and an external power supply (see Table 1 on page 2). Total cable length should not exceed 100' (30.48 m). See **NOTE** on page 2. The figure below shows the correct way to extend a SMART USB cable using a gender changer with pin 1 removed, a serial/power cable, and an external power supply.



Caution: if the power/serial cable is connected incorrectly (with the PC-end connected to the interactive whiteboard and the whiteboard-end connected to the USB cable), the 12 volts of power carried along pin 1 of the gender changer will permanently damage the USB adapter cable.

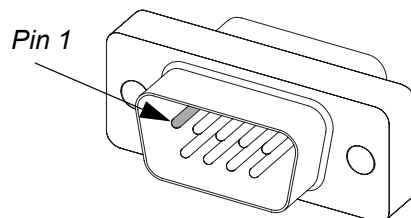
To prevent damage to the SMART USB cable, you must either use the customized DB9M/DB9M gender changer that's available from SMART (part number MA-506) or modify any DB9M/DB9M gender changer you purchase by removing pin 1.

Gender Changer Modification

Caution: Before you perform this modification, ensure that the gender changer is not connected to any equipment.

To Remove Pin 1 from the Gender Changer

Using a pair of needle-nose pliers, grasp pin 1 and pull it out, as shown below.



NOTE: If you wish to extend a SMART USB cable beyond 50' (15.2 m) to a maximum of 100' (30.48 m), you must use a DB9M/DB9M serial cable in place of the gender changer when connecting the USB adapter cable to the SMART serial/power cable. Remove pin 1 from this DB9M/DB9M serial cable as noted above.

For details about ordering and connecting the parts described in this bulletin, go to www.smarttech.com/media/support/bulletins/sb/2001_16usbadaptercable.pdf and read *Using the SMART USB Adapter Cable* (SMART Technical Bulletin, Issue 16-2001, Rev C).

Table 1: SMART Serial/Power Extension Cables

Part Number	Description
93-079-01	6' (1.8 M) SERIAL/POWER CABLE
93-059-01	20' (6.1 M) SERIAL/POWER CABLE
FRU-93-067-00	50' (15.2 M) SERIAL/POWER CABLE
