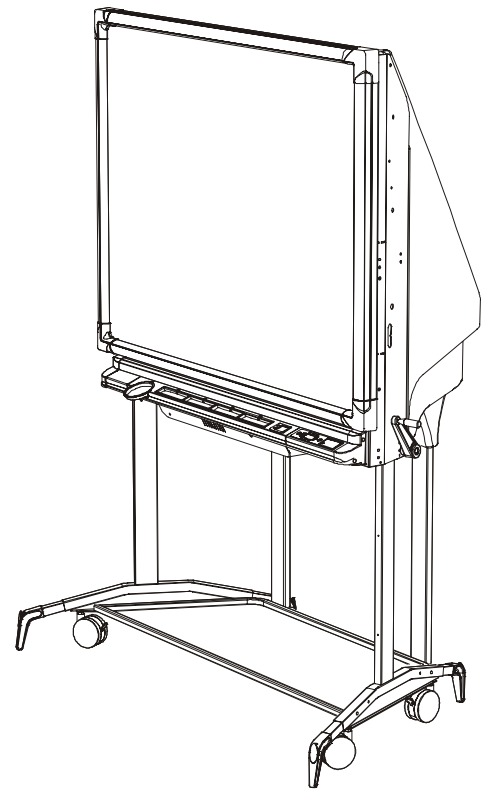


Rear Projection
SMART Board™



Service Parts Diagrams

For Model:
2000i-DVX with the NEC MT1060 Projector
2000i-DVX with the NEC VT560 Projector
2000i-DVX with the NEC VT570 Projector

Service Parts Diagrams for the *Rear Projection* SMART Board™ 2000i-DVX Interactive Whiteboard

Identifying Your Product Using the Serial Number	1
Projector Information	1
Ordering Parts	2
Major Components	3
Rear Assembly	4
Speakers	5
Undercarriage and Casters	6
Leg Assembly	7
Electronics Tray	8
Vertical Stabilizers	9
Large Mirror Assembly	10
Frame Assembly	11
Small Mirror Assembly	12
Pen Tray	13
Front View of Interactive Whiteboard (Part No. FRU-RB467-xx-x.x)	14
Rear View of Interactive Whiteboard (Part No. FRU-RB467-xx-x.x)	15
Projector Top Mounting Plate for NEC VT465 and NEC VT470	16
NEC VT465 Projector and Bottom Mounting Plate	17
NEC VT470 Projector and Bottom Mounting Plate	18
Laptop Shelf	19
Wiring Diagram	20
Cables	21
Accessories	22

SMART Technologies Inc.

Suite 300, 1207 – 11th Avenue SW
Calgary, AB CANADA T3C 0M5

Main Switchboard: 1.888.42.SMART (Canada/U.S.) or +1.403.245.0333 (all other countries)

Support Tel: 1.866.518.6791 (Canada/U.S.) or +1.403.228.5940 (all other countries)

Support Fax: +1.403.806.1256

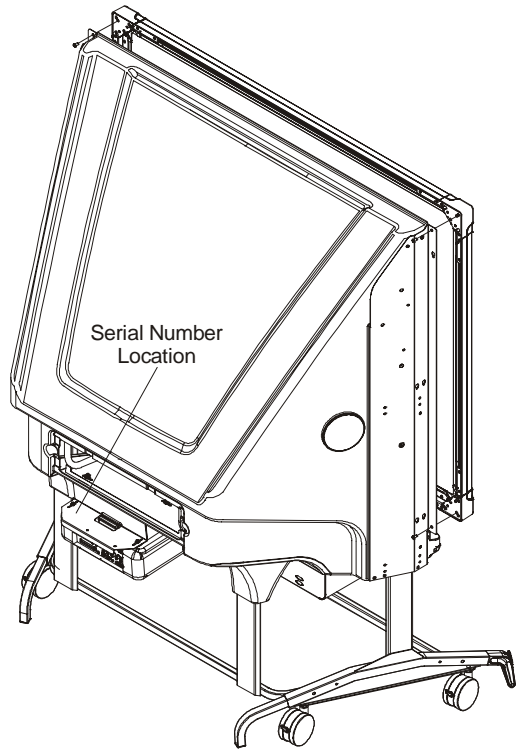
support@smarttech.com www.smarttech.com



Identifying Your Product Using the Serial Number

To make sure you have the correct service parts diagrams, you must verify the serial number of your *Rear Projection SMART Board 2000i-DVX* interactive whiteboard.

Look at the rear of the cabinet, and the serial number will be on a small white sticker on the top left side of the projector platform. An example of the serial number is shown below.



Product Model Number

Unique Serial Number

2000i-DVX-xxxxxx

DViT™ (Digital Vision Touch) Technology Product

Projector Information

2000i-DVX cabinets purchased before June 2004 have a serial number format of 2000i-DVX-01000 through 2000i-DVX-01999. Cabinets manufactured during this time have the NEC MT1060 projector. When referencing parts regarding the projector, look at the page for the NEC MT1060 (page 16).

2000i-DVX cabinets purchased between June 2004 and October 2004 have a serial number format of 2000i-DVX-02000 through 2000i-DVX-02999. Cabinets manufactured during this time will have the NEC VT560 projector. When referencing parts regarding the projector, look at the page for the NEC VT560 (page 18).

2000i-DVX cabinets purchased after October 2004 have a serial number format of 2000i-DVX-03000 and higher. Cabinets manufactured during this time will have the NEC VT570 projector. When referencing parts regarding the projector, look at the page for the NEC VT570 (page 19).

Ordering Parts

Customers

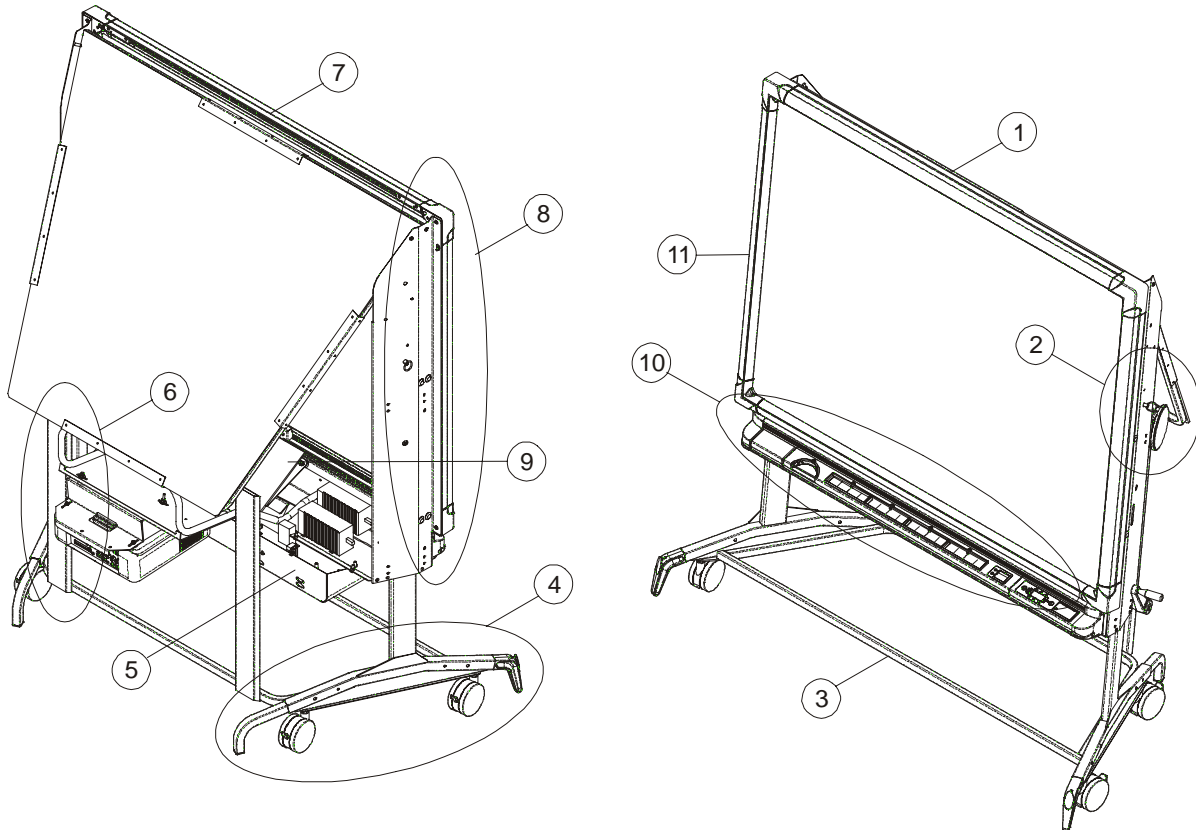
To order any of the parts from these service parts diagrams, contact your local reseller.
To find a reseller near you, visit www.smarttech.com/where.

Dealers and Distributors

To order any of the parts found in these service parts diagrams, contact our order processing department.

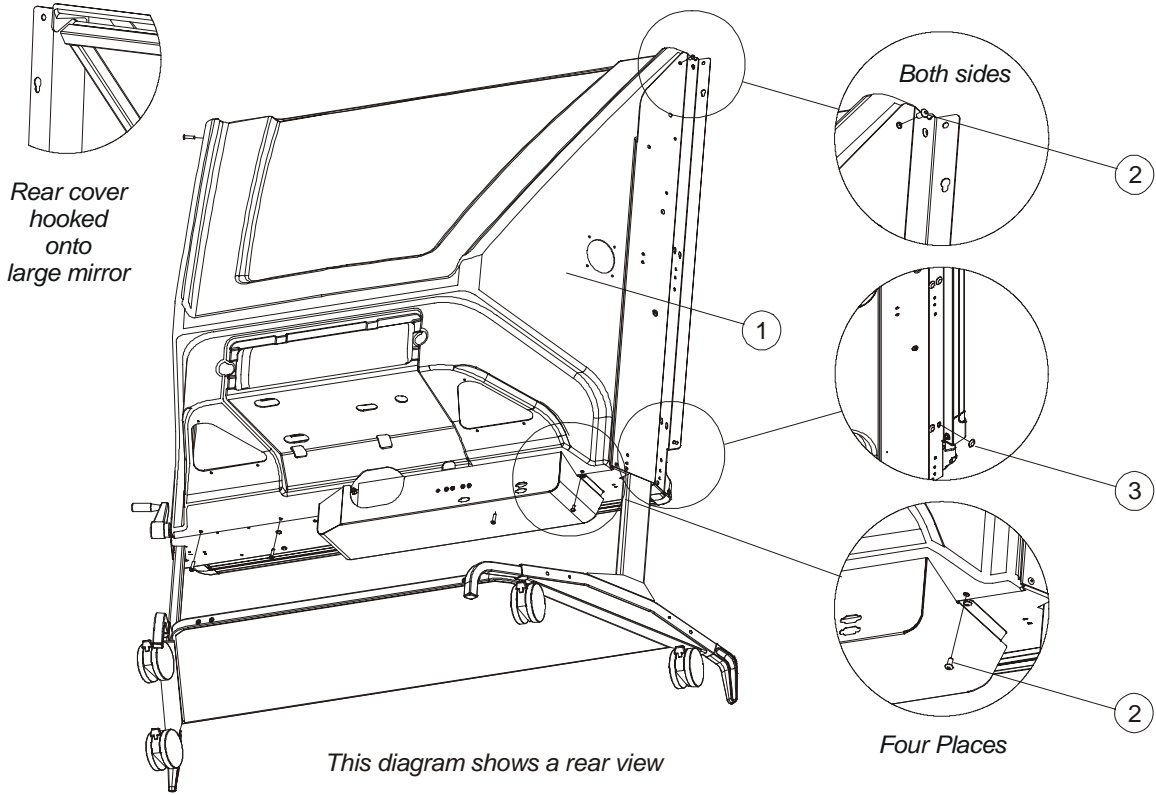
E-mail: orders@smarttech.com
Phone: 1.888.42.SMART (press 4)
International: +1.403.245.0333 (press 4)

Major Components



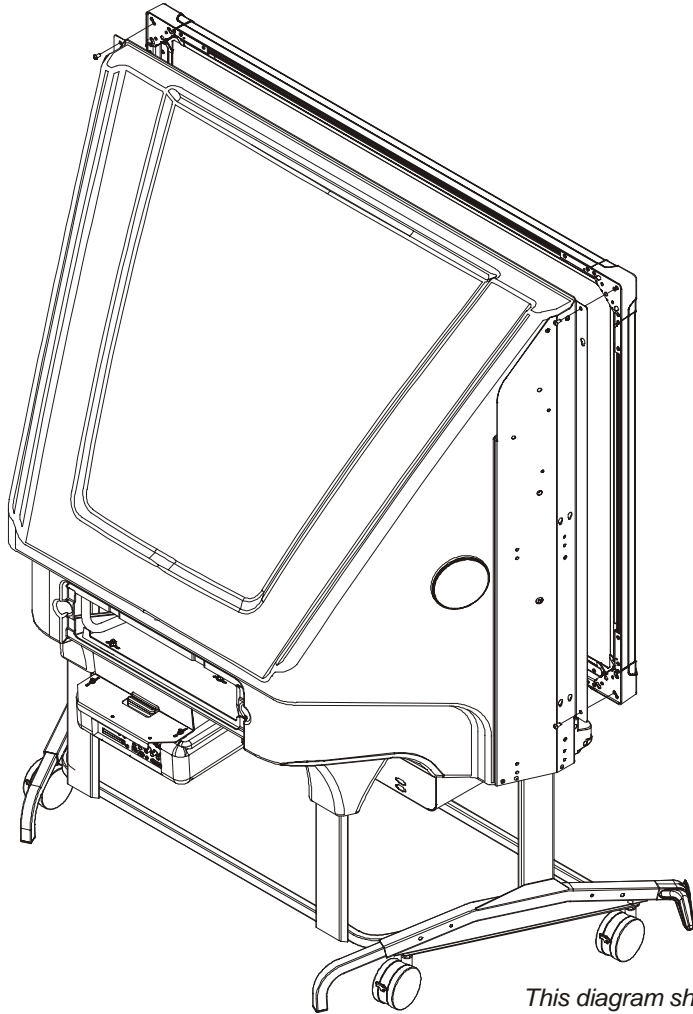
Item	Description
1	Rear assembly
2	Speakers
3	Undercarriage and casters
4	Leg assembly
5	Electronics tray
6	Vertical stabilizers
7	Large mirror assembly
8	Frame assembly
9	Small mirror assembly
10	Pen tray
11	<i>Rear Projection</i> SMART Board interactive whiteboard
Not shown	Laptop shelf

Rear Assembly

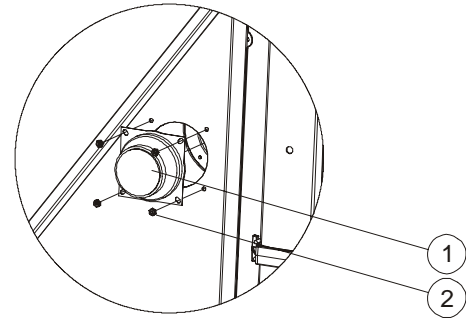


Item	Part No.	Qty	Description
1	52-00161-05	1	Cover, back
2	30-287	6	Screw, 1/4"-20 x 1/2", hex, button head
3	30-431	8	Plug, 1/2", plastic

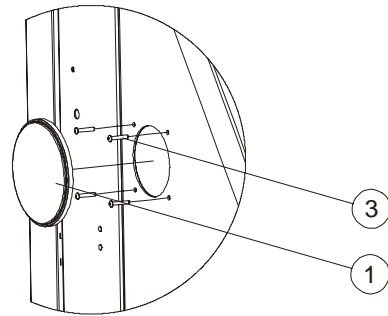
Speakers



This diagram shows a rear view



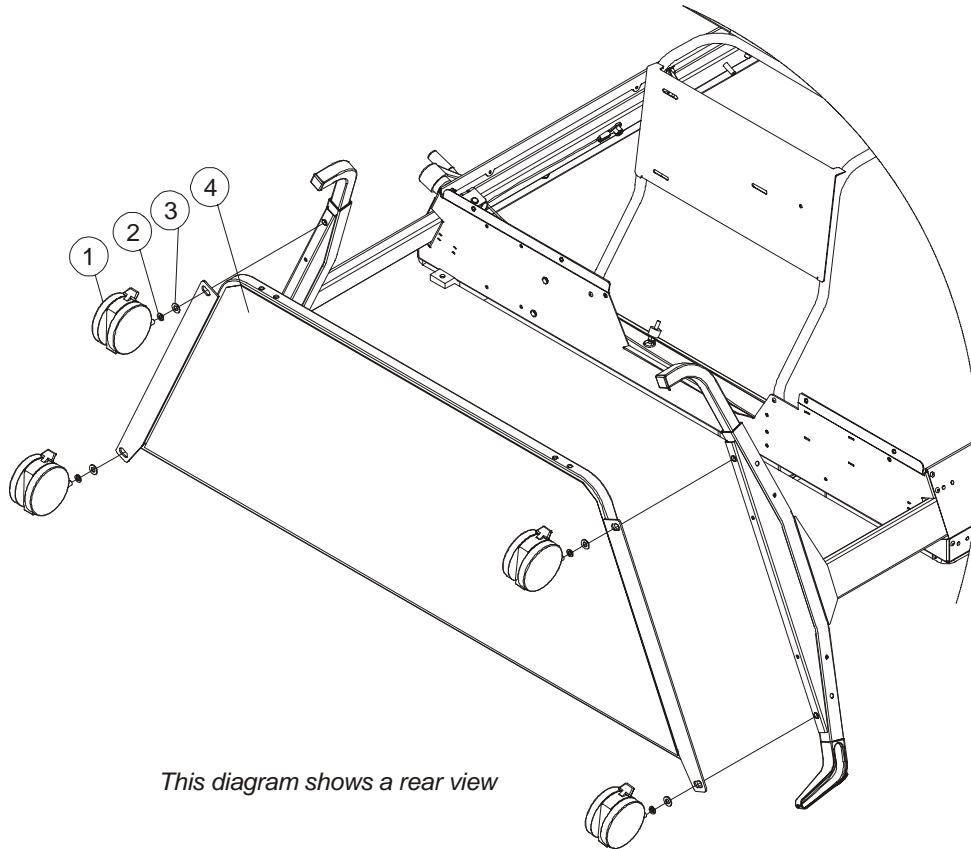
Viewed from inside the cabinet



Viewed from the outside of the cabinet

Item	Part No.	Qty	Description
1	03-00066	1	Speaker, 80W, 4" diameter, with grill, pair
2	30-288	8	Nut, No. 8-32, nylon
3	30-00738	8	Screw, No. 8-32 x 1", hex, button head, socket cap

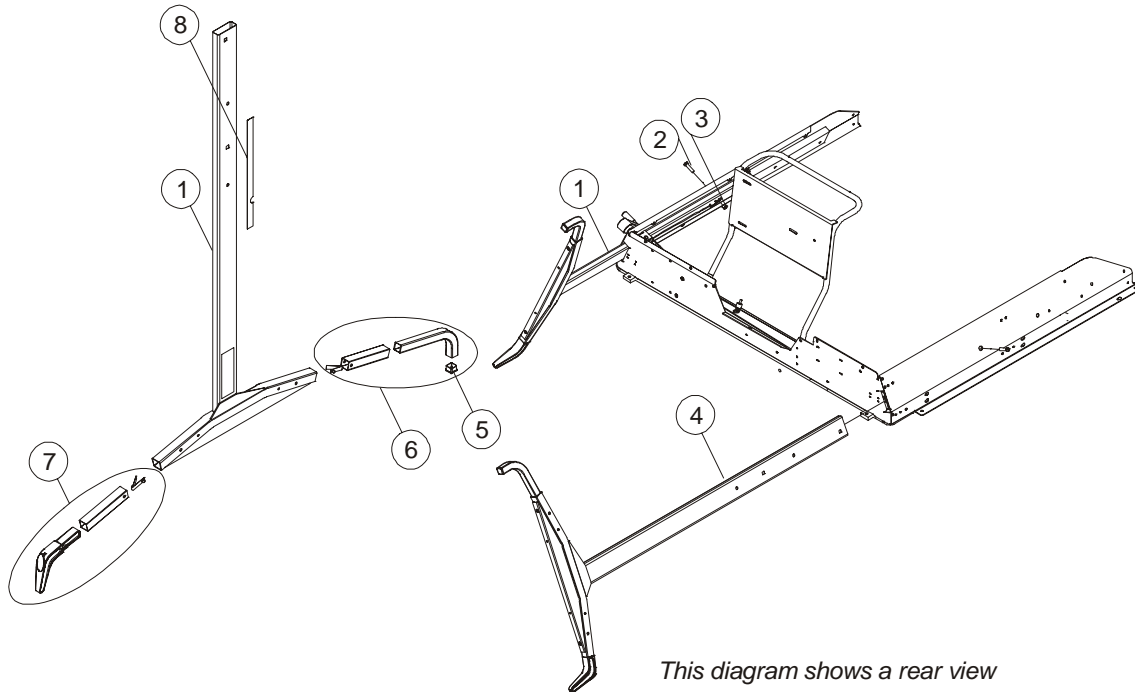
Undercarriage and Casters



This diagram shows a rear view

Item	Part No.	Qty	Description
1	10-00020	4	Caster, 4", locking, 3/8"-16 x 3/4" post
2	30-253	4	Washer, 3/8", split lock
3	30-00645	8	Washer, 13/32" inside diameter x 13/16" outside diameter x 1/16" thick
4	51-00275-01	1	Basket

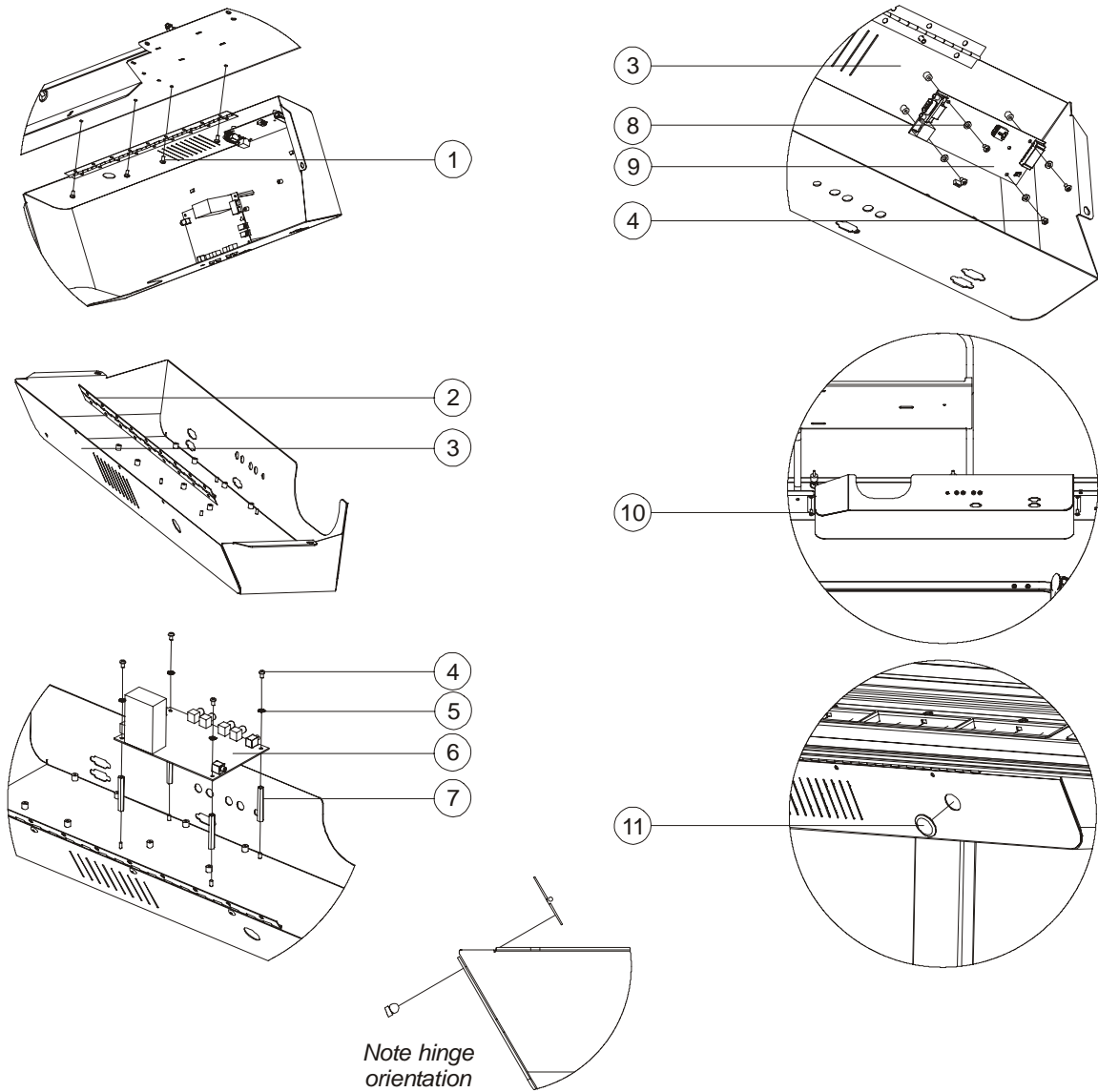
Leg Assembly



This diagram shows a rear view

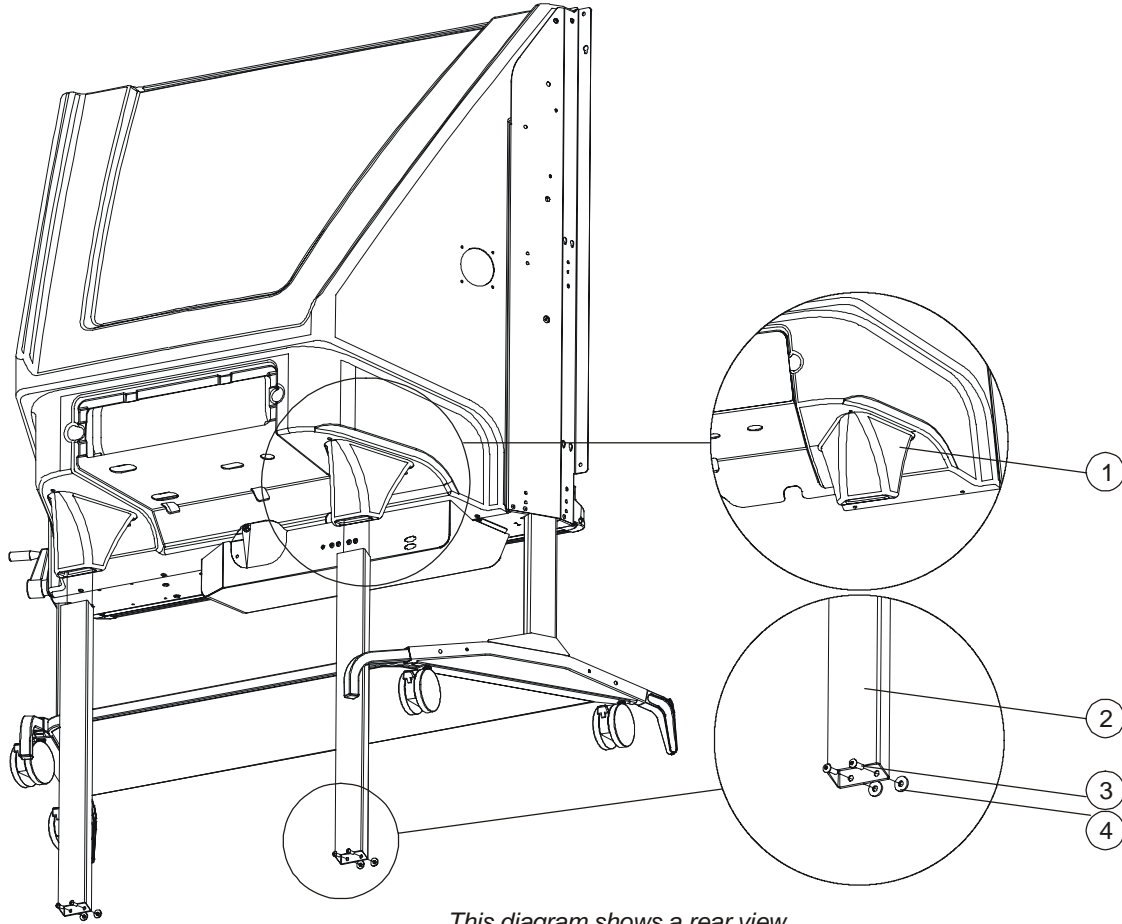
Item	Part No.	Qty	Description
1	51-00289-01	1	Leg, left, viewed from the rear
2	30-00800	2	Screw, 3/8"-16 x 1 1/2", hex, cap, low profile
3	30-00768	2	Nut, 3/8"-16, hex, top distortion, prevailing torque
4	51-00290-01	1	Leg, right, viewed from the rear
5	30-00850	2	Plug, 1"
6	FRU-2i-TFB	2	Tip foot, rear, assembly
7	FRU-2i-TFF	2	Tip foot, front, assembly
8	43-00959-01	1	Label, height adjustment
Not Shown	43-01013	1	Label, tip foot caution

Electronics Tray



Item	Part No.	Qty	Description
1	30-00654	4	Screw, No. 10-32 x 3/8", Phillips®, pan head
2	51-00317-00	1	Hinge, 18", piano
3	51-00291-02	1	Tray, electronics, bare
4	30-520	8	Screw, No. 6-32 x 1/4", pan head
5	30-386	4	Washer, No. 6, star tooth
6	FRU-MIXER-XP20	1	Amplifier, audio mixer
7	30-00818	4	Standoff, No. 6-32 x 1/4" x 1 3/4", threaded
8	30-00826	4	Washer, No. 6, flat, nylon
9	FRU-DV-SC8	1	Controller. Call Technical Support for firmware version verification.
10	30-287	2	Screw, 1/4"-20 x 1/2", hex, button head
11	30-00797	2	Plug, 7/8", snap-in

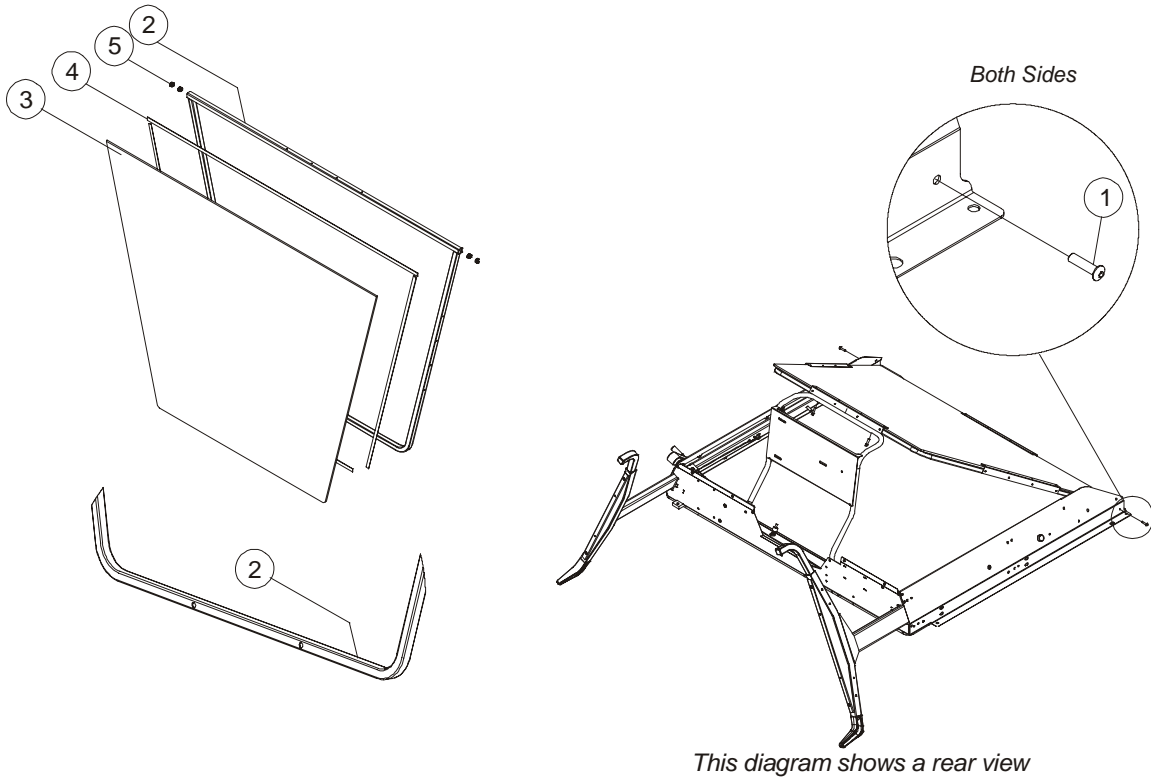
Vertical Stabilizers



This diagram shows a rear view

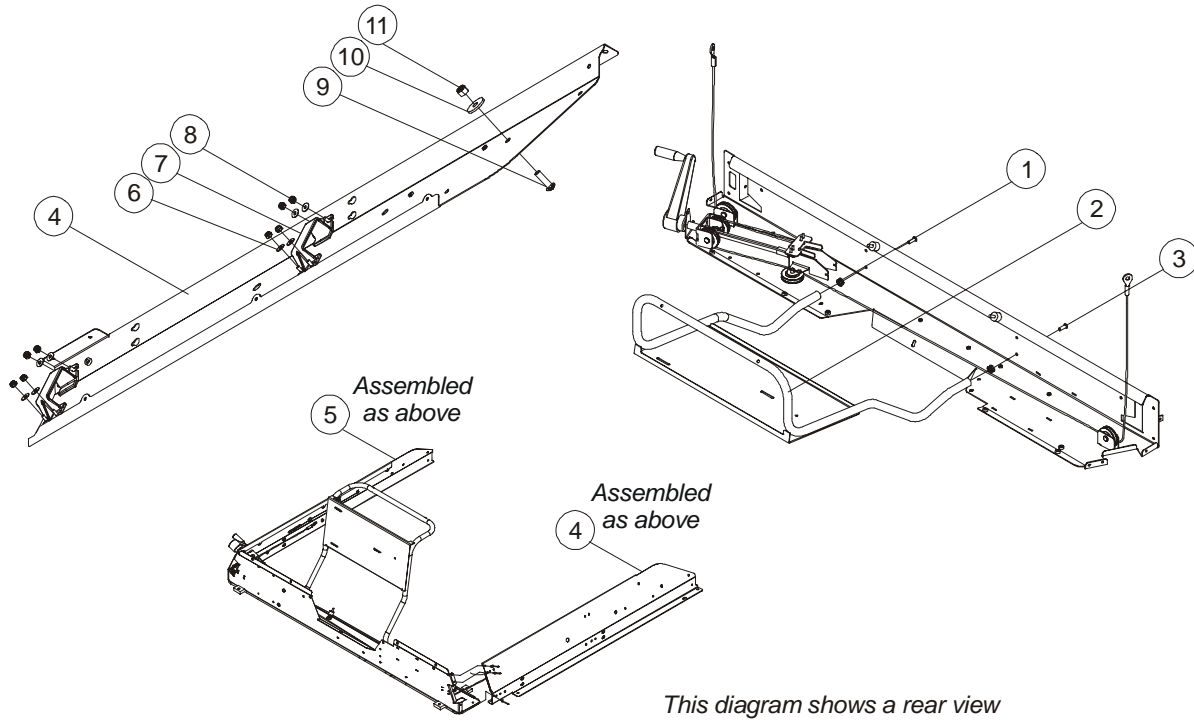
Item	Part No.	Qty	Description
1	52-00167-01	2	Cover, boot, black
2	51-00276-00	2	Upright, basket
3	30-366	4	Screw, 1/4"-20 x 3/4", hex, button head
4	30-00816	4	Washer, 1/4" x 5/8", neoprene

Large Mirror Assembly



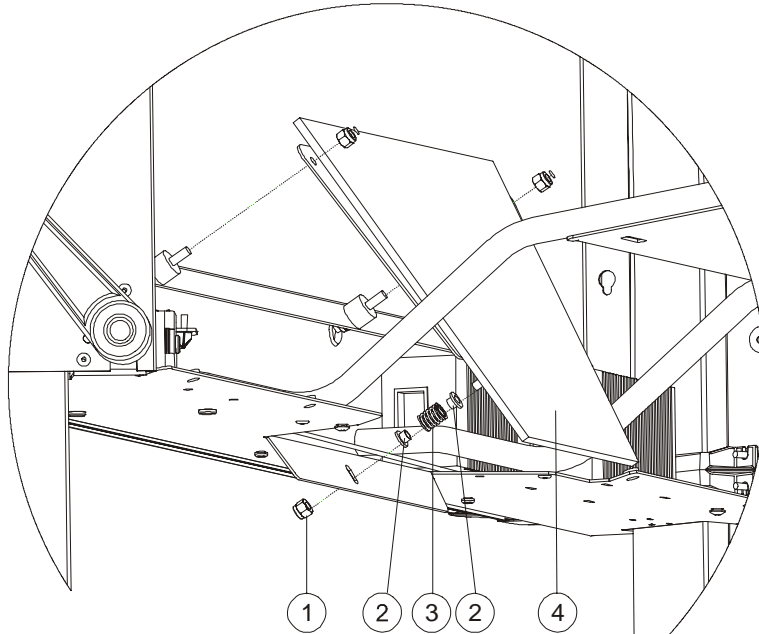
Item	Part No.	Qty	Description
1	30-00851	2	Screw, 1/4"-20 x 1", button head, cap
2	51-00278-00	1	Tube, steel
3	SJ67-402-01	1	Mirror, large, 94% reflective first surface
4	21-00049	15'	Tape, 5962 VHB, 1/2"
5	30-00799	4	Connector, tube

Frame Assembly



Item	Part No.	Qty	Description
1	30-00799	2	Connector, tube
2	51-00274-02	1	Tube, back frame, steel
3	30-366	2	Screw, 1/4"-20 x 3/4", hex, button head
4	51-00279-01	1	Side, left
5	51-00281-01	1	Side, right
6	30-00781	16	Washer, No. 10, flat
7	52-00163-00	4	Holder, floor stand, plastic
8	30-079	16	Nut, No. 10-32, locking, nylon
9	30-433	2	Screw, 3/8"-16 x 1 1/4", button head, cap
10	30-242	2	Washer, 3/8" x 1 1/4" inner diameter
11	30-110	2	Nut, 3/8"-16, hex, locking, nylon

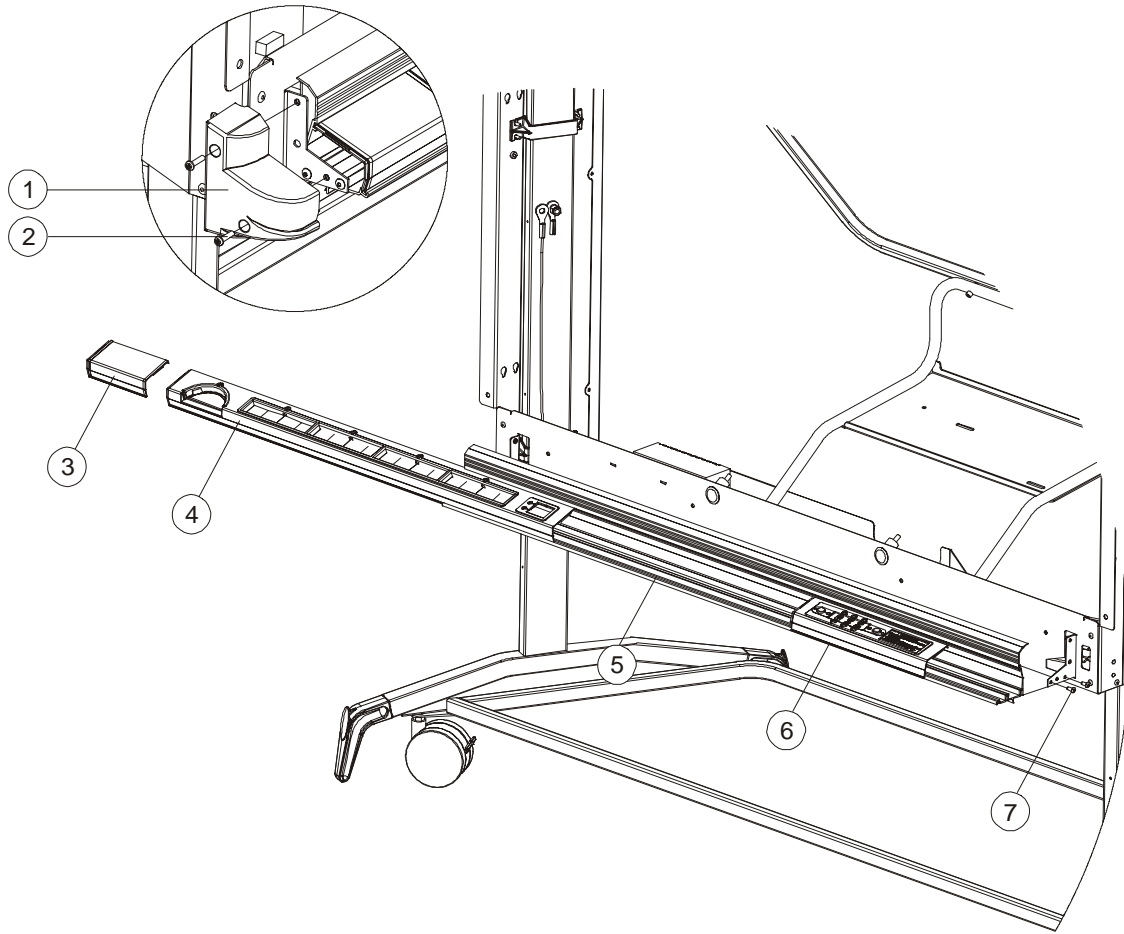
Small Mirror Assembly



This diagram shows a rear view from the left side

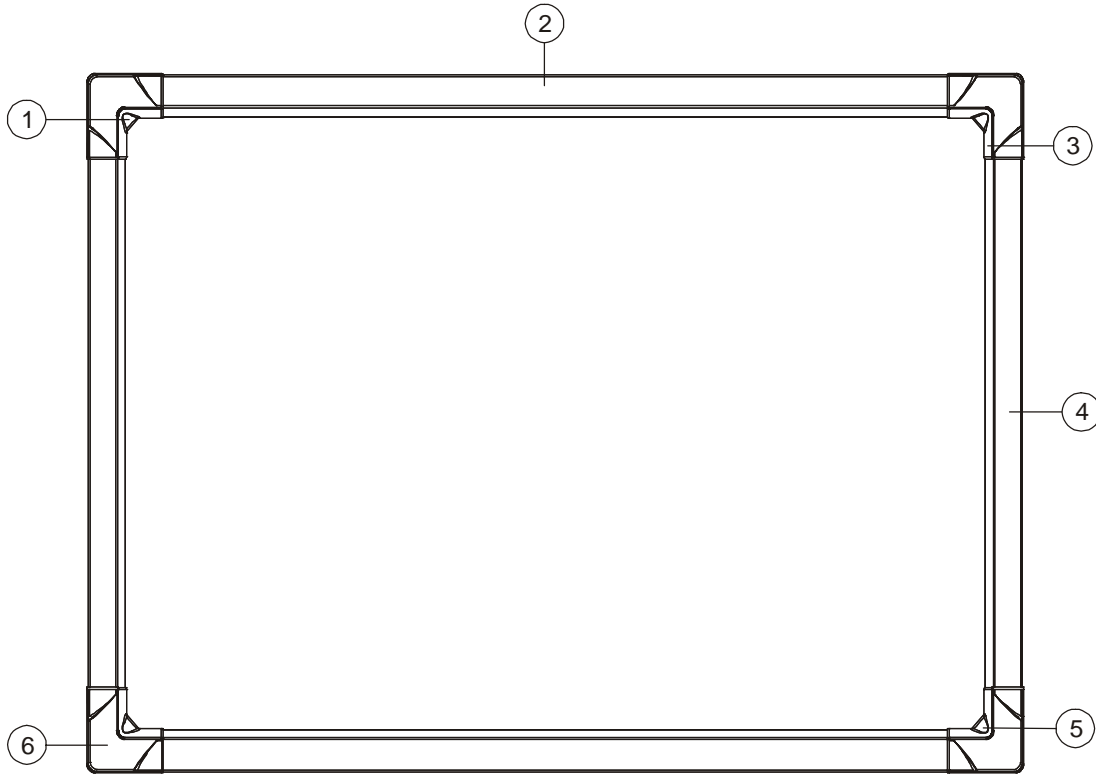
Item	Part No.	Qty	Description
1	30-116	3	Nut, 1/4"-20, hex, locking, nylon
2	30-362	2	Washer, 1/4", shoulder, nylon
3	30-00798	1	Spring, 7/16" × 15/16"
4	20-00380-00	1	Mirror, small, assembly

Pen Tray



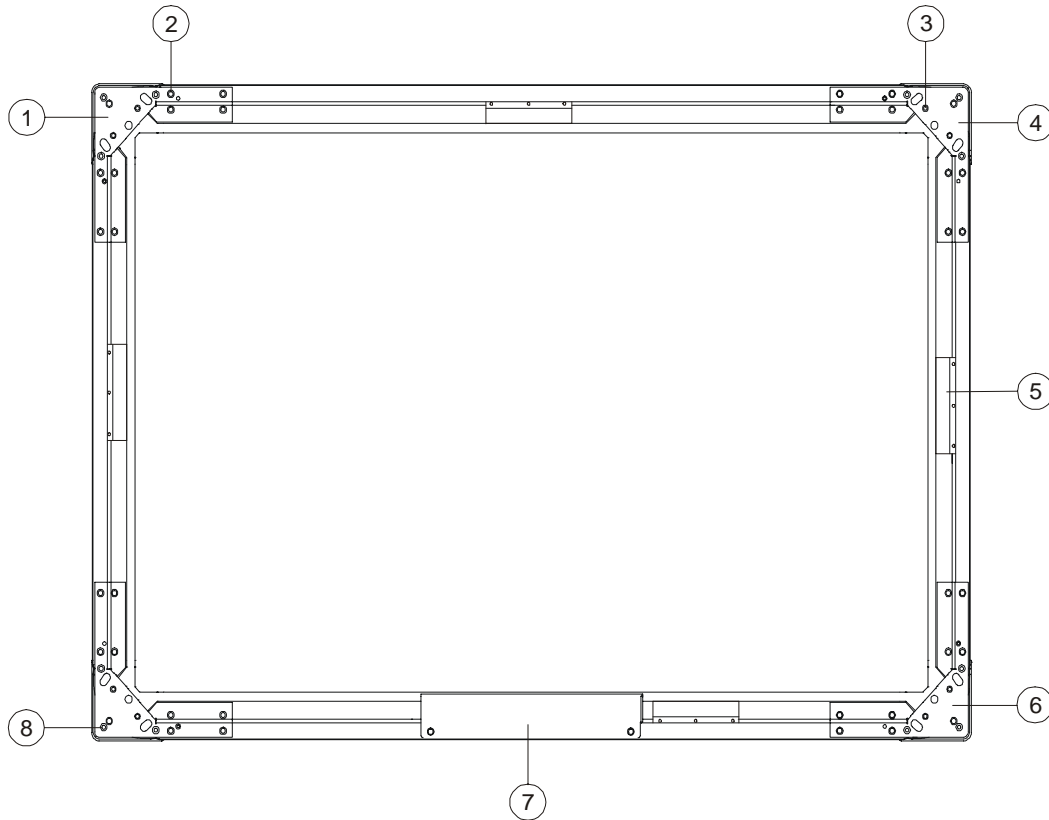
Item	Part No.	Qty	Description
1	SJ67-107-01-01	1	End cap, left, pen tray, silver
1	SJ67-108-01-01	1	End cap, right, pen tray, silver
2	30-436	4	Screw, No. 8-32 x 3/8", Phillips, pan head
3	SB560-030-01-01	1	Spacer, pen tray, silver
4	FRU-DV-PT10	1	Pen tray, silver. Does not include the serial controller, wonderbar or control panel cover.
5	51-00299-01	1	Extrusion, pen tray
6	FRU-CONTRLP-VT	1	Cover, control panel
7	30-180	4	Screw, No. 10-32 x 1/2", hex, socket cap

Front View of Interactive Whiteboard (Part No. FRU-RB467-xx-x.x)



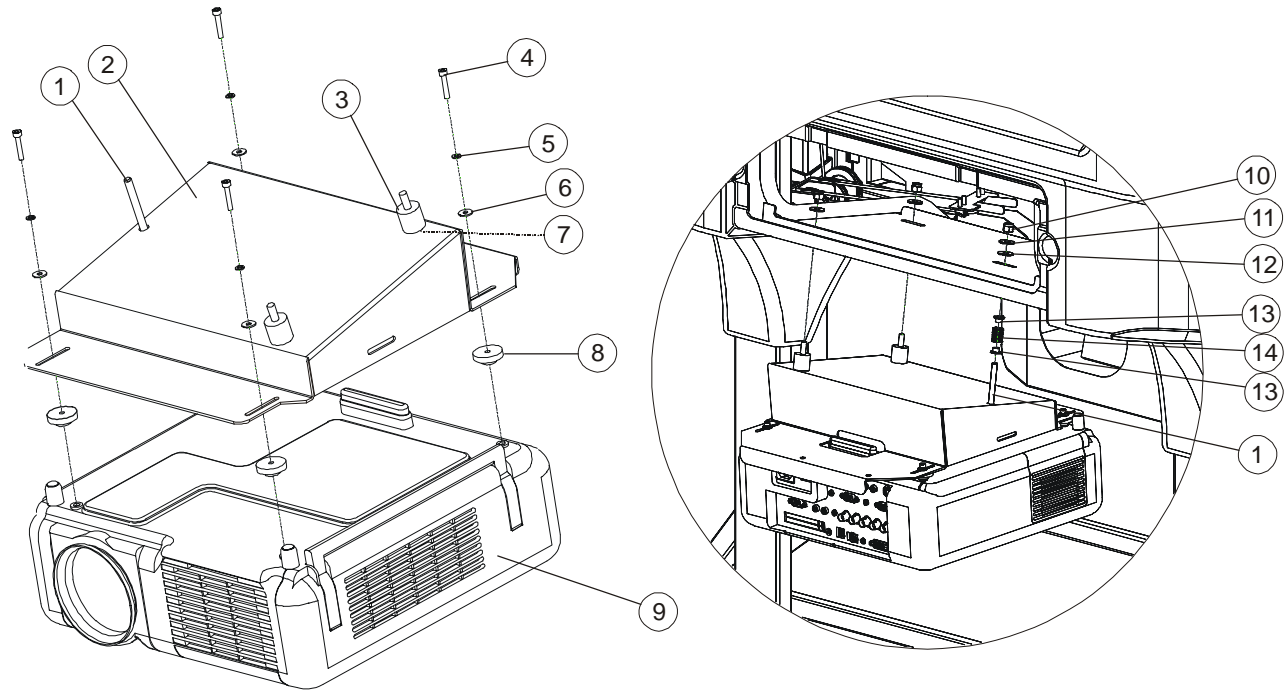
Item	Part No.	Qty	Description
1	FRU-DV-CAMx-y	3	Camera assembly, lower-left and upper-right and left corners. Call Technical Support for firmware version verification.
2	20-00414-00	2	Bezel, assembly, long side
3	52-00071-01	3	Corner cap, inner, IR transmissive, with camera cutout
4	20-00413-00	2	Bezel, assembly, short side
5	52-00193-00	1	Corner cap, inner, IR transmissive, without camera cutout
6	52-00153-00	4	Corner cap, outer, silver
Not shown	FRU-LED-67	1	LED strips, all four sides
Not shown	FRU-LED-67L	2	LED strip, long side
Not shown	FRU-LED-67S	2	LED strip, short side
Not shown	93-00425-00	1	Cable, MOD8 to MOD8, 3'10 1/2" (1.2 m). Connects the bottom-right camera to the hub, viewed from the rear.
Not shown	93-00426-00	1	Cable, MOD8 to MOD8, 4'11" (1.5 m). Connects the top-left camera to the hub, viewed from the rear.
Not shown	93-00427-00	1	Cable, MOD8 to MOD8, 7'5" (2.3 m). Connects the top-right camera to the hub, viewed from the rear.

Rear View of Interactive Whiteboard (Part No. FRU-RB467-xx-x.x)



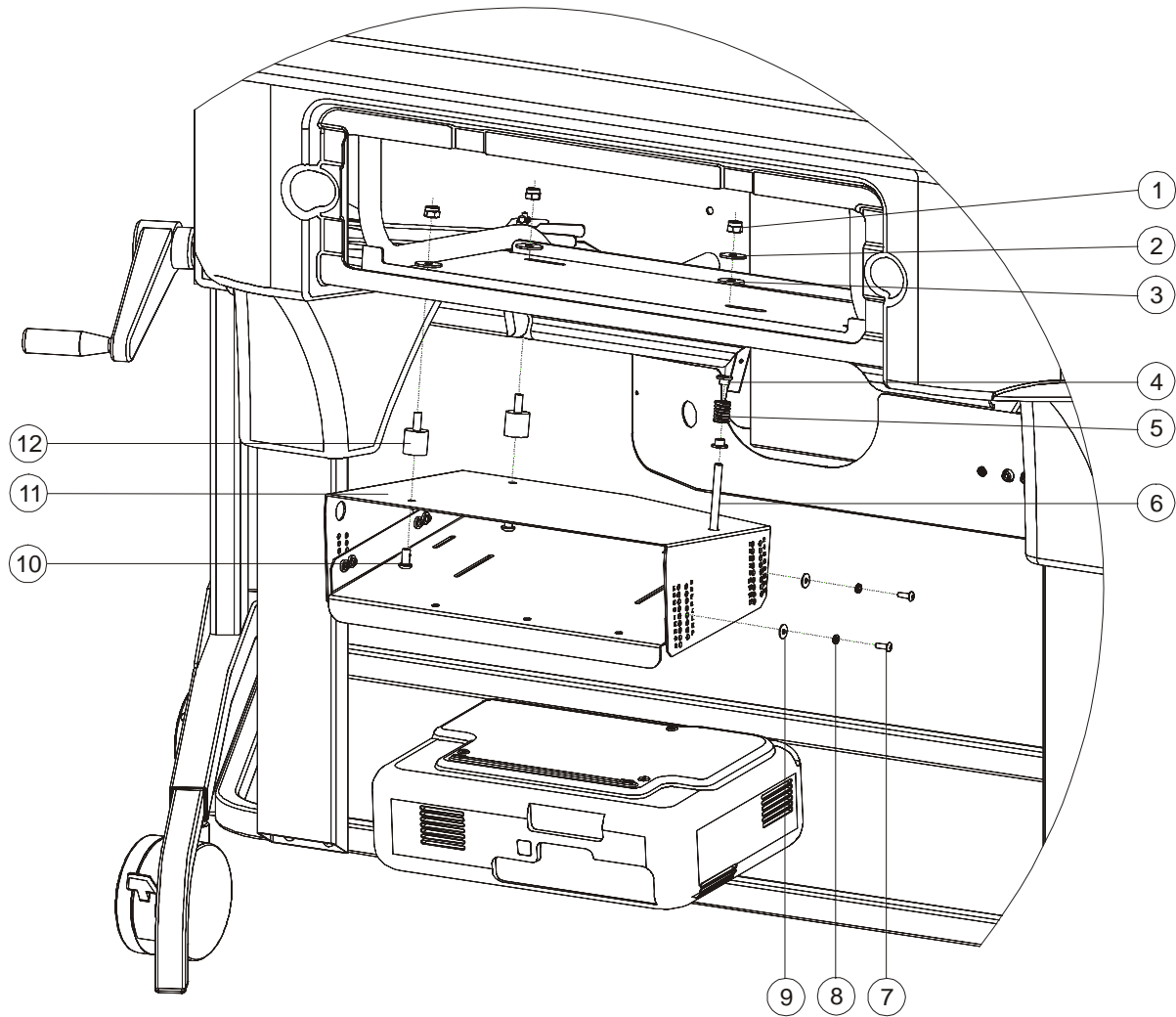
Item	Part No.	Qty	Description
1	51-00119-02	1	Bracket, corner, top left, viewed from the rear
2	30-00653	46	Screw, No. 10-32 × 3/8", square recess, flat head
3	30-00885	8	Screw, No. 8-32 × 3/8", Phillips, flat, undercut
4	51-00118-02	1	Bracket, corner, top right, viewed from the rear
5	51-00122-01	4	Plate, bezel
6	51-00120-02	2	Bracket, corner, bottom left and right, viewed from the rear
7	FRU-DV-HUB1	1	Hub, assembly
8	30-00719	12	Screw, No. 10 × 3/4", Phillips, flat head, for plastics

NEC MT1060 Projector and Mounting Plate



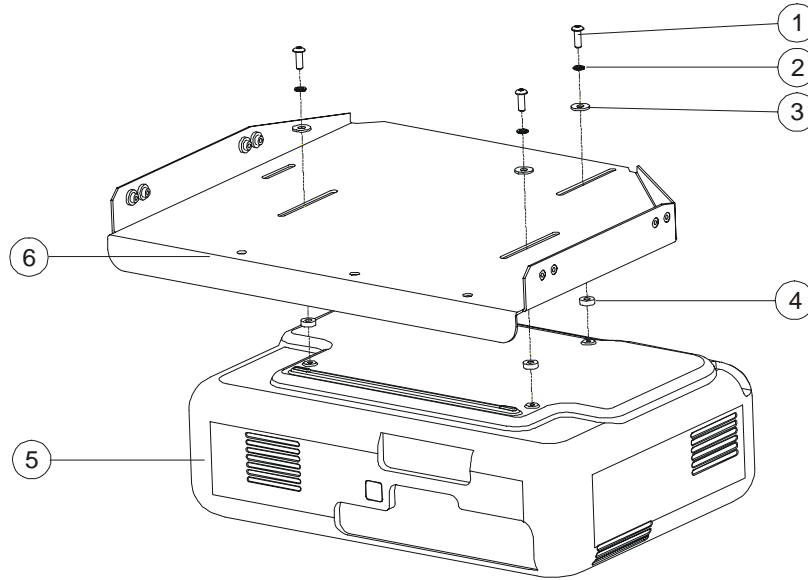
Item	Part No.	Qty	Description
1	30-00636	1	Screw, 1/4"-20 x 2 1/4", hex
2	51-00293-01	1	Plate, projector, NEC MT1060
3	30-439	2	Mount, vibration
4	30-00758	4	Screw, M4 x 22 mm
5	30-451	4	Washer, M4, lock
6	30-00756	4	Washer, M4, flat, fender
7	30-287	2	Screw, 1/4"-20 x 1/2", hex, button head
8	51-00261-00	4	Spacer
9	FRU-NEC1060	1	Projector, NEC MT1060. Does not come with accessories, projector mounting plate or hardware. Call Technical Support to discuss repair or replacement options.
10	30-116	3	Nut, 1/4"-20, hex, lock, nylon
11	30-365	3	Washer, 1/4", fender
12	30-441	1	Washer, 1/4", nylon
13	30-362	2	Washer, 1/4", shoulder, nylon
14	30-434	1	Spring, 1 1/2" x 15/32"
Not shown	FRU-WBAR-V.3	1	Wonderbar, firmware version 3.0 for the NEC MT1060 projector
Not shown	01-00128	1	Standard projector lamp MT60LP for NEC MT1060
Not shown	01-00129	1	Optional extended-life projector lamp MT60LPS for NEC MT1060
Not shown	XP20-2000i	1	Optional X-Port™ 20 data switching kit

Projector Top Mounting Plate for NEC VT560 and NEC VT570



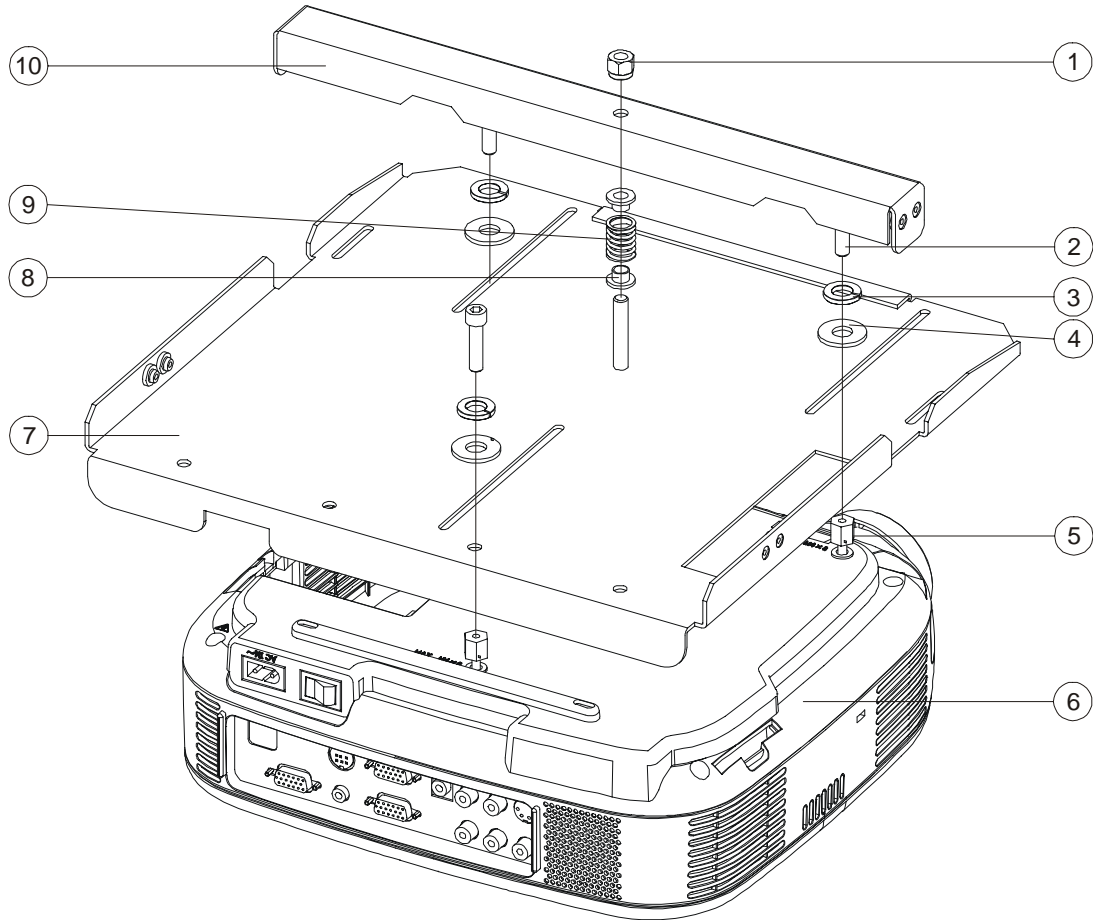
Item	Part No.	Qty	Description
1	30-116	3	Nut, 1/4"-20, lock, nylon
2	30-365	3	Washer, 1/4", fender
3	30-441	1	Washer, 1/4", nylon
4	30-362	2	Washer, 1/4", shoulder, nylon
5	30-434	1	Spring, 1 1/2" x 15/32"
6	30-00636	1	Screw, 1/4"-20 x 2 1/4"
7	30-00866	4	Screw, M4 x 12 mm, button head, security, TORX®
8	30-451	4	Washer, M4, lock
9	30-00756	4	Washer, M4, flat, fender
10	30-287	6	Screw, 1/4"-20 x 1/2", button head, hex
11	51-00357-00	1	Plate, top, projector, NEC VT560 and NEC VT570
12	30-439	2	Mount, vibration

NEC VT560 Projector and Bottom Mounting Plate



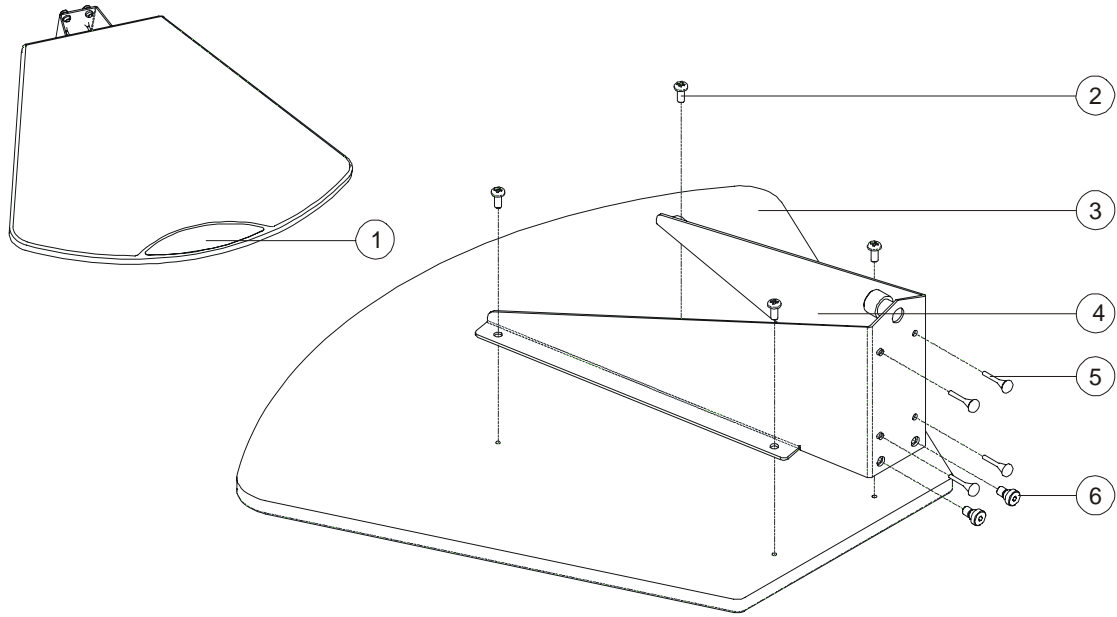
Item	Part No.	Qty	Description
1	30-00866	4	Screw, M4 x 12 mm, button head, security, TORX
2	30-451	4	Washer, M4, lock
3	30-00756	4	Washer, M4, flat, fender
4	30-00863	3	Spacer, brass, nickel plated
5	FRU-NEC560VT560	1	Projector, NEC VT560. Does not come with accessories, projector mounting plate or hardware. Call Technical Support to discuss repair or replacement options.
6	51-00358-00	1	Plate, projector, mounting, bottom, NEC VT560
Not shown	03-00047	1	Projector, NEC VT560, comes with accessories. Does not come with projector mounting plate or hardware. Call Technical Support to discuss repair or replacement options.
Not shown	01-00151	1	Lamp, VT60LP, standard lamp for the NEC VT560 projector
Not shown	XP20-2000i-B	1	Optional X-Port 20 data switching kit for the 2000i-DVX with the NEC VT560 projector
Not shown	FRU-WBAR-V.4	1	Wonderbar, firmware version 4.0.1.2 for the NEC VT560 projector

NEC VT570 Projector and Bottom Mounting Plate



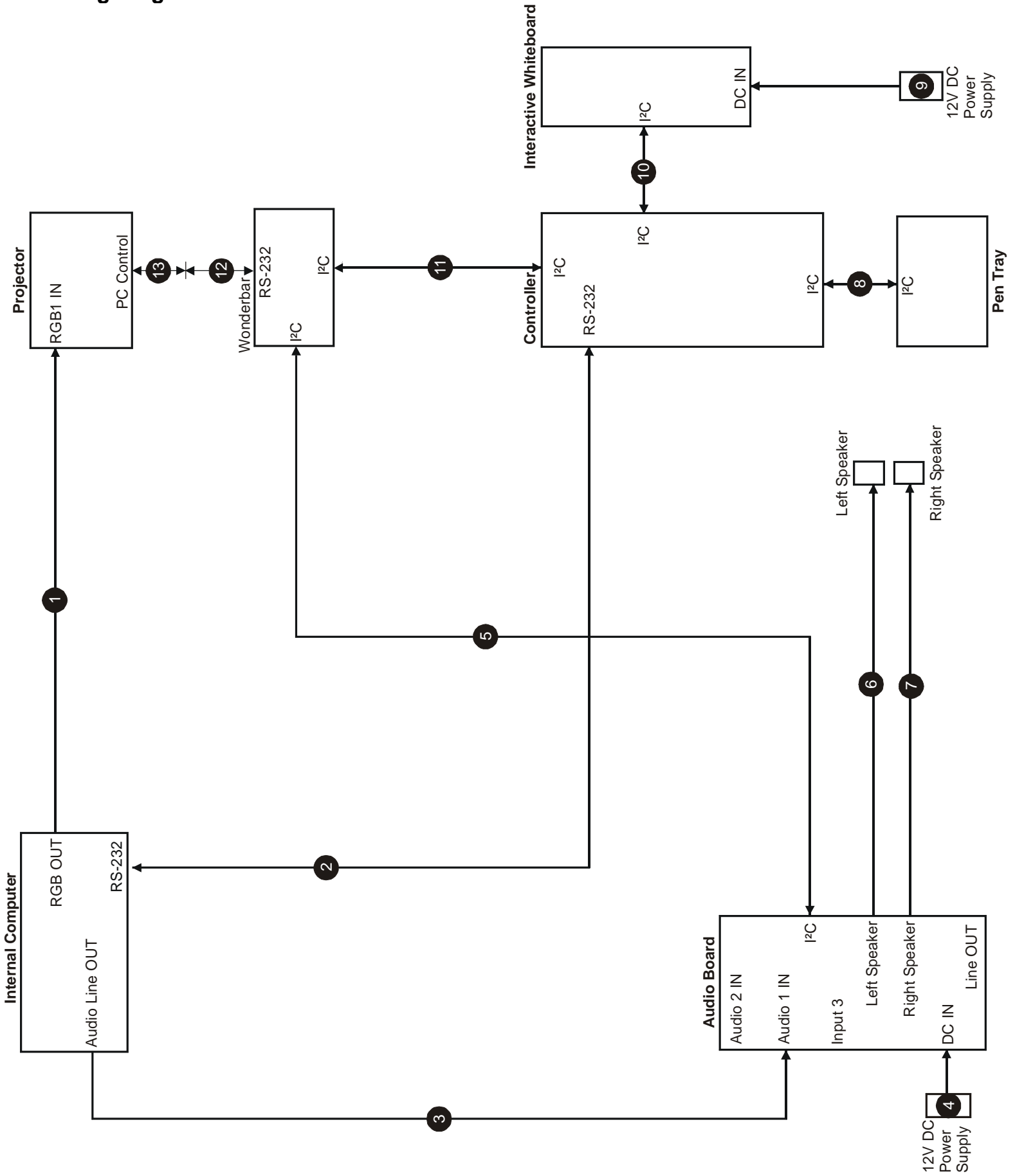
Item	Part No.	Qty	Description
1	30-00909	1	Spacer, M4 x 10 mm, male to female, hex
2	30-00866	3	Screw, M4 x 12 mm, button head, security, TORX
3	30-451	3	Washer, M4, lock
4	30-00756	3	Washer, M4, fender, flat
5	30-00863	3	Spacer, brass, nickel plated
6	FRU-VT570	1	Projector, NEC VT570. Does not come with accessories, projector mounting plate or hardware. Call Technical Support to discuss repair or replacement options.
7	51-00441-00	1	Plate, projector, mounting, bottom, NEC VT570
8	30-362	2	Washer, 1/4", shoulder, nylon
9	30-00798	1	Spring, 7/16" x 15/16"
10	51-00447-00	1	Bar, adjustment, projector, NEC VT570
Not shown	03-00063	1	Projector, NEC VT570, comes with accessories. Does not come with projector mounting plate or hardware. Call Technical Support to discuss repair or replacement options.
Not shown	01-00161	1	Lamp, 180 W, standard lamp for the NEC VT570 projector
Not shown	XP20-2000i-C	1	Optional X-Port 20 data switching kit for the 2000i-DVX with the NEC VT570 projector
Not shown	FRU-WBAR-V.1N	1	Wonderbar, firmware version 1.0.0.2 for the NEC VT570 projector

Laptop Shelf



Item	Part No.	Qty	Description
1	43-299-00	1	Label, laptop shelf
2	30-00837	4	Screw, No. 8 × 3/8", high/low
3	52-00169-01	1	Shelf, laptop, large
4	51-00295-01	1	Bracket, laptop shelf
5	30-407	4	Bumper, RB126, rubber
6	30-429	2	Screw, No. 10-32 × 1/2", 3/8" wide, shoulder

Wiring Diagram



Cables

Item	Part No.	Ref. No.	Description
1	93-180-00	V01	Cable, video, HD15 male to HD15 male, 10' (3.1 m)
2	93-082	C03	Cable, serial, DB9 male to DB9 female, 10' (3.1 m)
3	93-075	A01	Cable, audio, 3.5 mm male to 3.5 mm male, 10' (3.1 m)
4	60-016	DC01	Power supply, 12V DC, 4.2A, switching
5	93-00414-00	C06	Cable, I ² C, MOD6 to MOD6, 6' (1.8 m)
6	93-00408-00	A02	Cable, audio, common speaker wire, 4'2" (1.3 m)
7	93-00408-00	A03	Cable, audio, common speaker wire, 4'2" (1.3 m)
8	93-00416-00	C05	Cable, I ² C, 10-pin ribbon, 6'10" (2.1 m)
9	60-016	DC02	Power supply, 12V DC, 4.2A, switching
10	93-00355-01	C01	Cable, I ² C, MOD8 to MOD8, 4'6 1/2" (1.4 m)
11	93-00417-00	C02	Cable, I ² C, 4-pin to 4-pin, 6'8" (2.0 m)
12	93-00385-00	C04	Cable, serial, DB9 female to DB9 female, 8' (2.4 m)
13	93-00450-01	C11	Cable, serial, DB9 male to mini DIN8 male, 12" (30.5 cm)

Accessories

Part No.	Qty	Description
78-00029	1	Hex key, TR-20, security, short arm, TORX
78-0037	1	Driver, 7/16", nut
78-018	1	Hex key, 5/32"
99-00530	1	Guide, installation
99-00557	1	Guide, users, SMART Board software
CD-100	1	CD, SMART Board software
ERA-001	1	Eraser, round
2000i-RCM	1*	Room control module
SB572-029-03-02	1	Eraser cup, silver
STYF-00009-00	1	Whisper-tip™ pens, black nib. Set of four (green, red, blue and black).
USB-ADP	1	Cable, USB, DB9 male to USB, 2'6" (76.2 cm)

* This is an optional accessory for the *Rear Projection SMART Board 2000i-DVX* interactive whiteboard. It is not part of the cabinet's standard equipment.