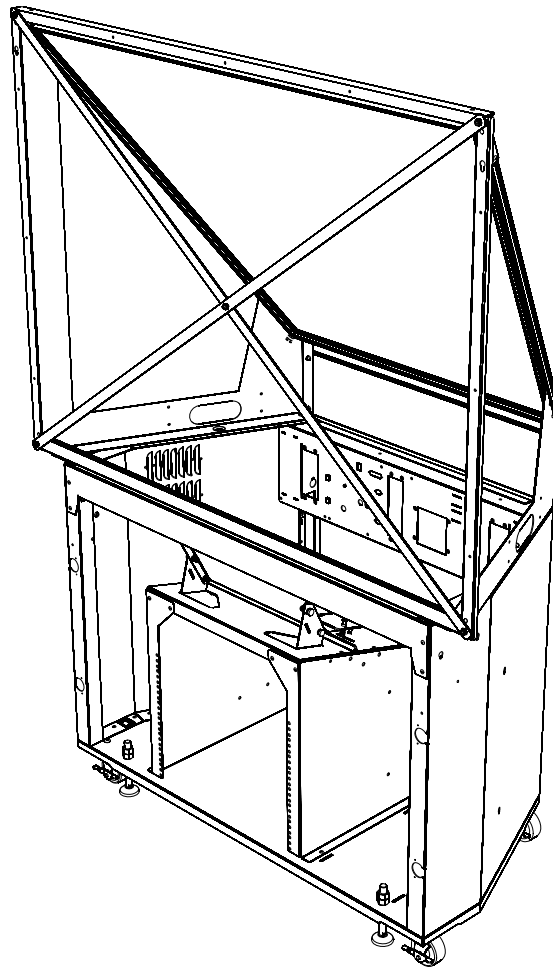


In-Wall Rear Projection
SMART Board™



***Service Parts
Diagrams***

For Model:

2876-DV (includes 1810-DV)

2976-DV (includes 1910-DV)

Service Parts Diagrams Revision History

Revision 1 - February, 2007

- New document

Revision 2 - July, 2007

- Add reference to R2 serial number

Revision 3 - February, 2009

- Change 30-545 to 30-00545-20

Standard Warranty Terms

Base Product: 2 years
Projector: 2 years or equivalent to 8 hours a day 5 days a week
Lamp: 90 days or 500 hours
Accessories: 1 year

First Customer Ship: August, 2006

SMART Technologies

3636 Research Road NW
Calgary, AB T2L 1Y1
CANADA

Support +1.403.228.5940 or Toll Free 1.866.518.6791 (Canada/U.S.)

Support Fax +1.403.806.1256

ServiceParts@smarttech.com www.smarttech.com

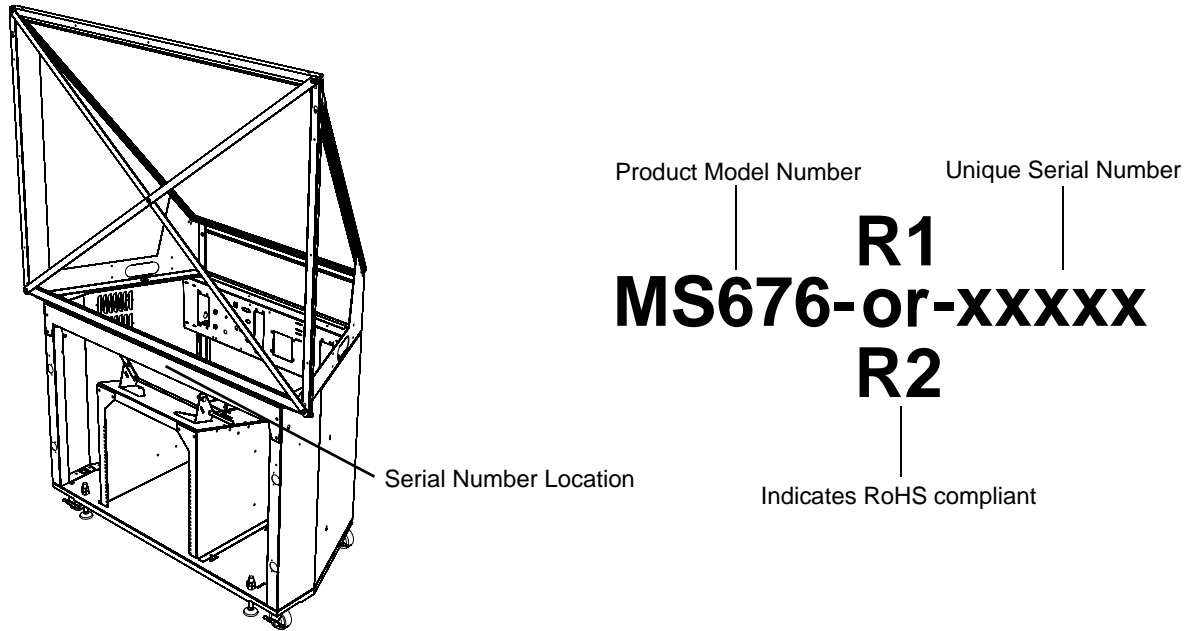
The SMART logo consists of the word "SMART" in a bold, stylized, sans-serif font. The letters are black with a white outline, and a small "TM" trademark symbol is located at the bottom right of the letter "T".

Service Parts Diagrams for the In-Wall *Rear Projection* SMART Board™ 2876-DV and 2976-DV Interactive Whiteboard with NEC VT670 or VT676 projector

- Identifying Your Product Using the Serial Number 1
- To Order Parts 1
- Major Components 2
- Projector NEC VT670/676 3
- Projector Platform for the NEC VT670/676 4
- Mirror Stand for the NEC VT670/676 5
- Accessories 6
- Optional Accessories 6

Identifying Your Product Using the Serial Number

To make sure that you have the correct Service Parts Diagrams, you must verify the serial number of your SMART product.



For non-RoHS compliant models, the serial number will match this format: MS676-xxxxx.

For RoHS compliant (Europe) models, the serial number will match this format: MS676-R1-xxxxx.

For RoHS compliant (Europe and China) models, the serial number will match this format: MS676-R2-xxxxx.

To Order Parts

Customers

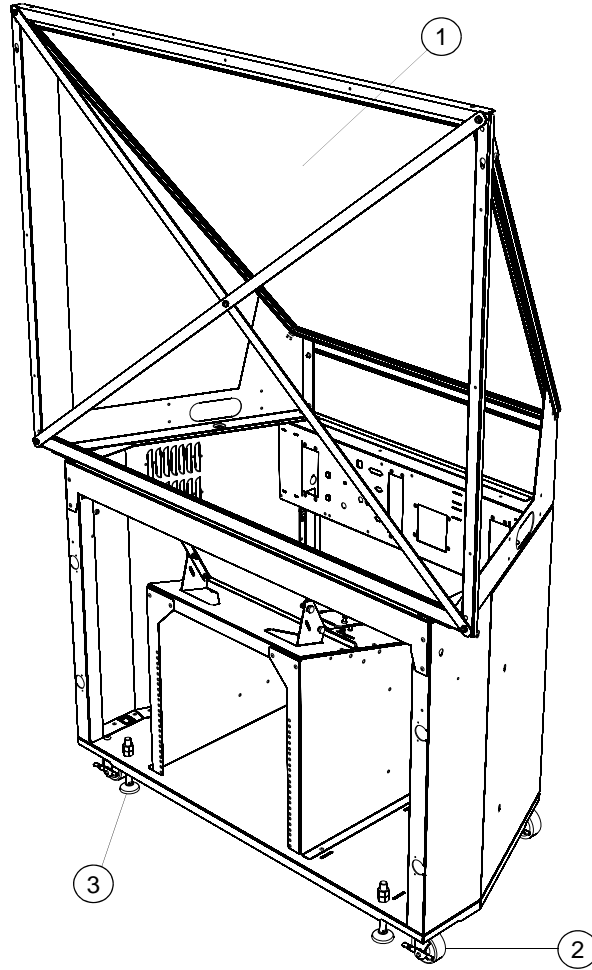
To order any parts from these service parts diagrams, please contact your local reseller.
To find a reseller near you, visit www.smarttech.com/where.

For Dealers and Distributors

For specific technical and pricing enquiries in regards to these diagrams please contact our service parts department.
Pricing is also available on-line via the SOURCE website (source.smarttech.com)

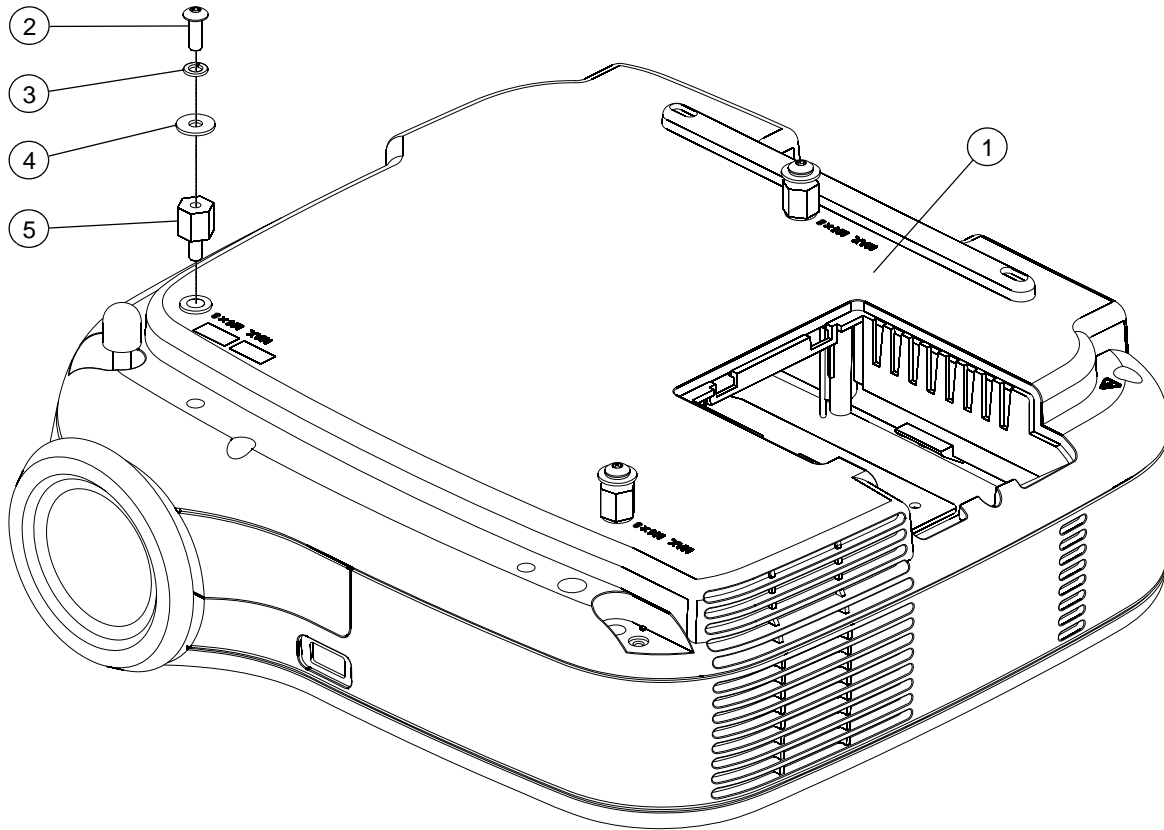
E-mail: serviceparts@smarttech.com
Phone: 1.888.42.SMART
International: +1.403.245.0333

Major Components



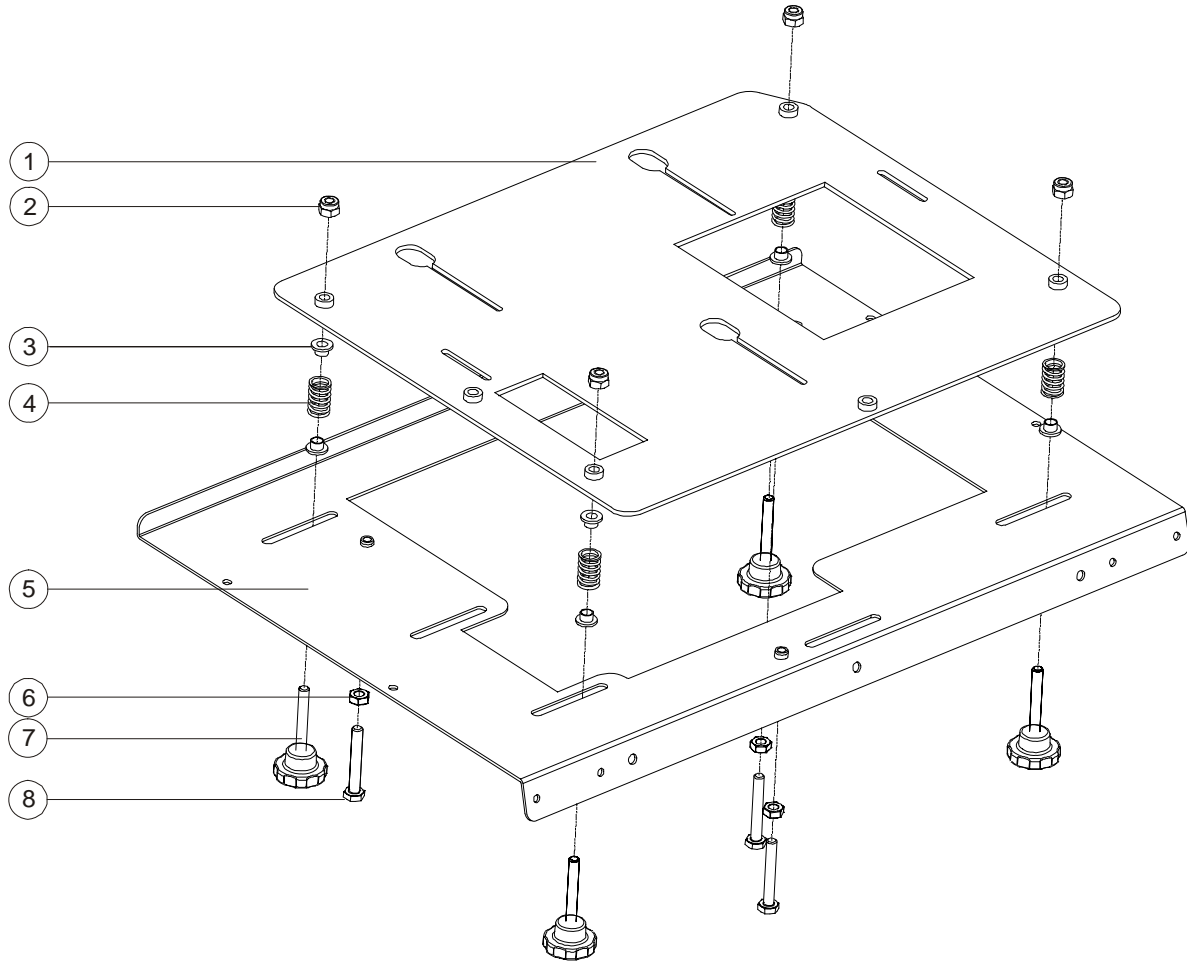
Item	Part No.	Qty	Description
1	20-00023-20	1	Large mirror, assembly
2	10-015	4	Caster, 3", black, top locking
3	30-549	4	Leveling pad, nylon, 2"
Not shown	WRPSB1910-DV	1	In-Wall Rear Projection SMART Board 1910, screen and pen tray, comes with the 2976 mirror stand NOTE: Refer to the 1910-DV parts diagrams.
Not shown	WRPSB1810-DV	1	In-Wall Rear Projection SMART Board 1810, screen and pen tray, comes with the 2876 mirror stand NOTE: Refer to the 1810-DV parts diagrams.

Projector NEC VT670/676



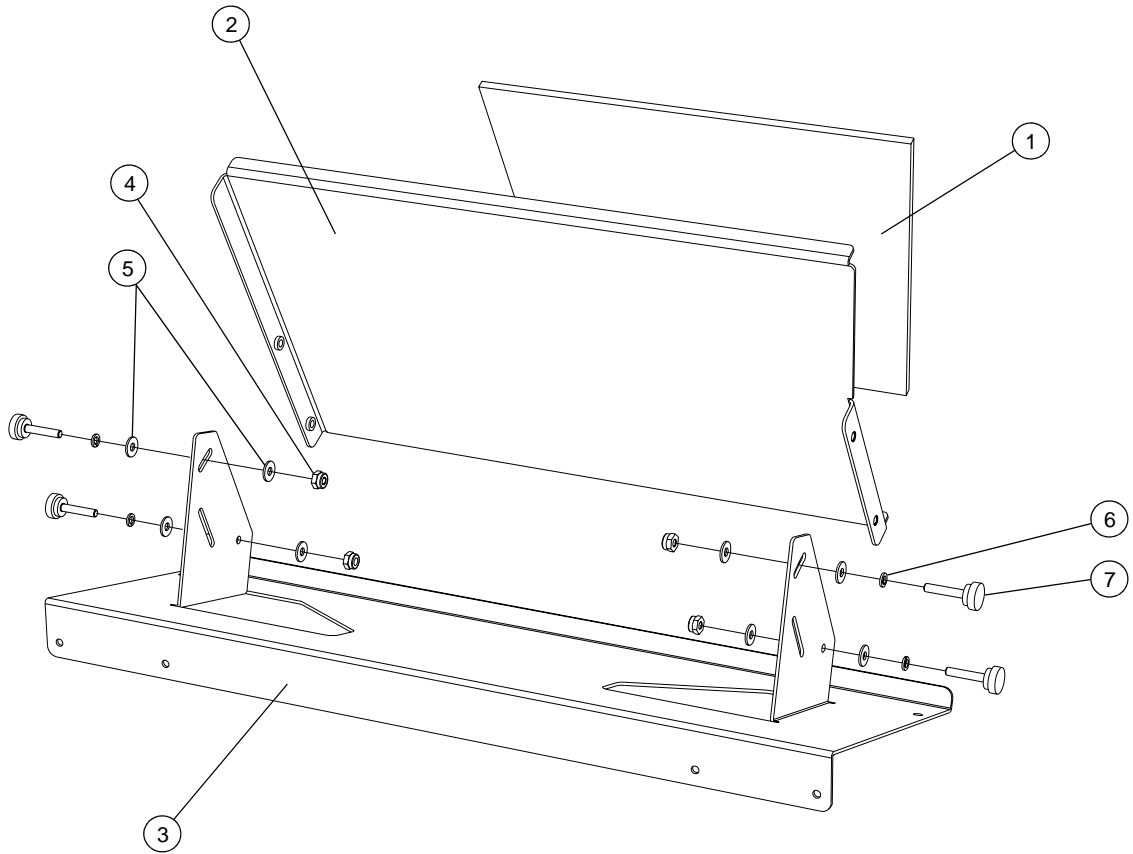
Item	Part No.	Qty	Description
1	FRU-NEC670	1	Replacement NEC VT670 Projector with SMART Lens. NOTE: Does not include accessories, mounting plate or hardware. Call Technical Support to discuss repair or replacement options.
1	FRU-NEC676	1	Replacement NEC VT676 Projector with SMART Lens. NOTE: Does not include accessories, mounting plate or hardware. Call Technical Support to discuss repair or replacement options.
2	30-00866	3	Screw, M4 x 12 mm, TORX®, security, button head
3	30-00451-20	3	Washer, M4, split, lock
4	30-00756	3	Washer, M4, fender
5	30-00909	3	Spacer, M4 x 10 mm, male-female, hex

Projector Platform for the NEC VT670/676



Item	Part No.	Qty	Description
1	51-00440-00	1	Plate, projector, for the NEC VT670/676
2	30-00116-20	4	Nut, 1/4"-20, hex, locking, nylon
3	30-362	8	Washer, 1/4", shoulder, nylon
4	30-00434-20	4	Spring, 1 1/2" x 15/32"
5	51-00390-20	1	Plate, top, projector platform, for the NEC VT670/676
6	30-00746-20	3	Nut, 1/4"-20, hex
7	30-00545-20	4	FRU, screw, 1/4"-20 x 2 1/4", hex, cap head, with knob
8	30-00733-20	3	Bolt, 1/4"-20 x 1 3/4", hex

Mirror Stand for the NEC VT670/676



Item	Part No.	Qty	Description
1	53-00012-01	1	Mirror, small
2	51-00203-20	1	Holder, small mirror
3	51-00450-00	1	Plate, mirror mount
4	30-00079-20	4	Nut, 10-32, hex, locking, nylon
5	30-00781	8	Washer, No. 10, flat
6	30-00304-20	4	Washer, No. 10, split, lock
7	30-00757	4	Screw, 10-32 x 1", thumb

Accessories

Part No.	Qty	Description
93-00504-20	1	Cable, video, HD15 male to HD15 male, 10' (3.1 m) NOTE: Video cable from projector to computer.
93-00582-20	1	Cable, power, IEC 32-C14 to IEC 320-C7, 3' (91 cm) NOTE: Connects projector power to AC power cable.
78-00029	1	Hex key, TORX™
78-00037	1	Driver, nut, 7/16"
78-00034	1	Wrench, 7/16"

Optional Accessories

Part No.	Qty	Description
01-00161	1*	Projector Lamp VT75LP for NEC VT470/VT670/VT676
03-00070	1*	Replacement NEC VT670 Projector with SMART Lens. NOTE: Includes accessories, does not include mounting plate or hardware. Call Technical Support to discuss repair or replacement options.
03-00092-20	1*	Replacement NEC VT676 Projector with SMART Lens. NOTE: Includes accessories, does not include mounting plate or hardware. Call Technical Support to discuss repair or replacement options.

* Refer to the product price list.