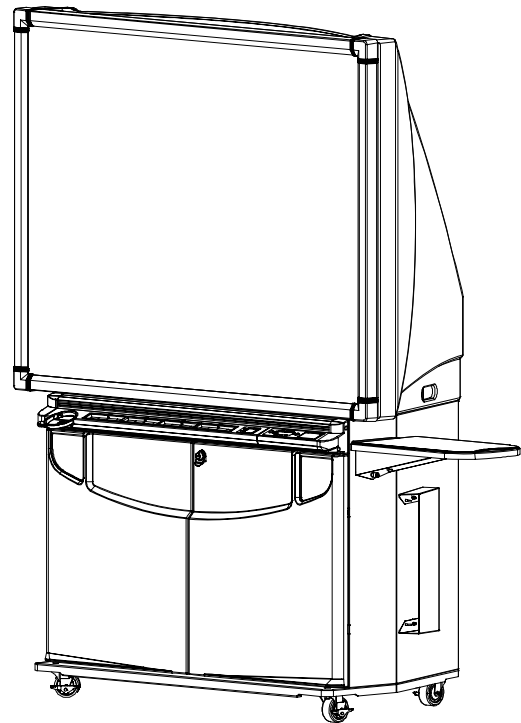


Rear Projection  
**SMART Board**<sup>™</sup>  
3000i



## Service Parts Diagrams

For Model:  
3000i-DV with the NEC MT1060  
Serial numbers 3000i-DV-09000 to 10999

## Service Parts Diagrams Revision History

### Revision 1 - October, 2004

- New document

### Revision 2 - June, 2009

- Add RoHS equivalent part numbers

### Revision 3 - November, 2009

- Change 60-00035-20 to 60-00051-20

### Standard Warranty Terms

Cabinet and Screen: 2 years

Projector: 2 years or equivalent to 8 hours a day 5 days a week

Lamp: 90 days or 500 hours

Accessories: 1 year

---

#### SMART Technologies

3636 Research Road NW

Calgary, AB T2L 1Y1

CANADA

Support +1.403.228.5940 or Toll Free 1.866.518.6791 (Canada/U.S.)

Support Fax +1.403.806.1256

ServiceParts@smarttech.com [www.smarttech.com](http://www.smarttech.com)

The SMART logo consists of the word "SMART" in a bold, black, sans-serif font. The letters are slightly stylized, with the 'S' and 'M' having a unique shape. A small "TM" trademark symbol is located at the bottom right of the letter 'T'.

# Service Parts Diagrams for the *Rear Projection* SMART Board™ 3000i-DV Interactive Whiteboard with NEC MT1060 projector

---

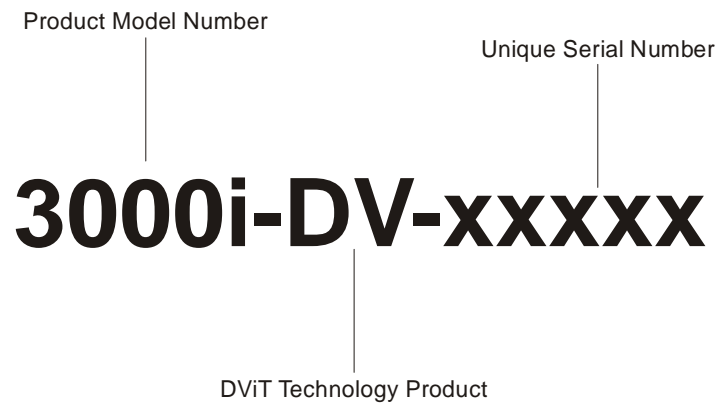
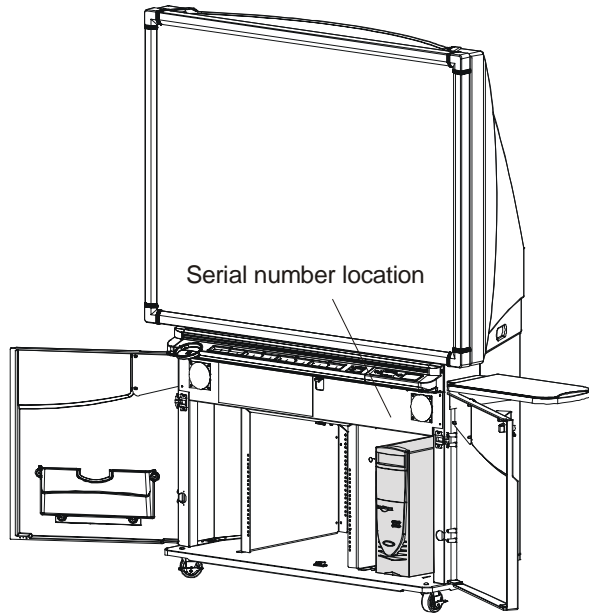
- Identifying Your Product Using the Serial Number ..... 1
- To Order Parts from These Service Parts Diagrams ..... 1
- Major Components ..... 2
- Front View of Interactive Whiteboard (Part No. FRU-RB467-x) ..... 3
- Rear View of Interactive Whiteboard (Part No. FRU-RB467-x) ..... 4
- Front Doors (Part No. FRU-3000i-FD)  
Includes Both Left and Right Doors for Color Matching ..... 5
- Speaker Panel ..... 6
- Projector NEC MT1060 ..... 7
- Projector Platform for the NEC MT1060 ..... 8
- Pen Tray ..... 9
- Rear Connection Panel ..... 10
- Fan ..... 11
- Keyboard Holder ..... 12
- Upper Cabinet Covers ..... 13
- Videoconferencing Arm  
(Included in Part Numbers 3000i-VC1 and 3000i-VC2) ..... 14
- Large Videoconference Shelf (Part No. 3000i-VC1)  
Both Shelves contain the Video Conferencing Arm ..... 15
- Small Videoconference Shelf (Part No. 3000i-VC2) ..... 15
- J-Hook (Part No. FRU-JHK-3000i) ..... 16
- Laptop Shelf and Cable Harness Kit (Part No. 3000i-LTS) ..... 17
- Accessory Kit (Part No. AK-00050-00) ..... 18
- RPSB3000i-DV Optional Accessories ..... 18
- Wiring Diagram ..... 19



## Identifying Your Product Using the Serial Number

To make sure that you have the correct Service Parts Diagrams, you must verify the serial number of your SMART Technologies Inc. product.

Open the front doors of the cabinet and the serial number will be on a small white sticker near the right speaker. An example of the serial number is shown below.



## To Order Parts from These Service Parts Diagrams

### For customers

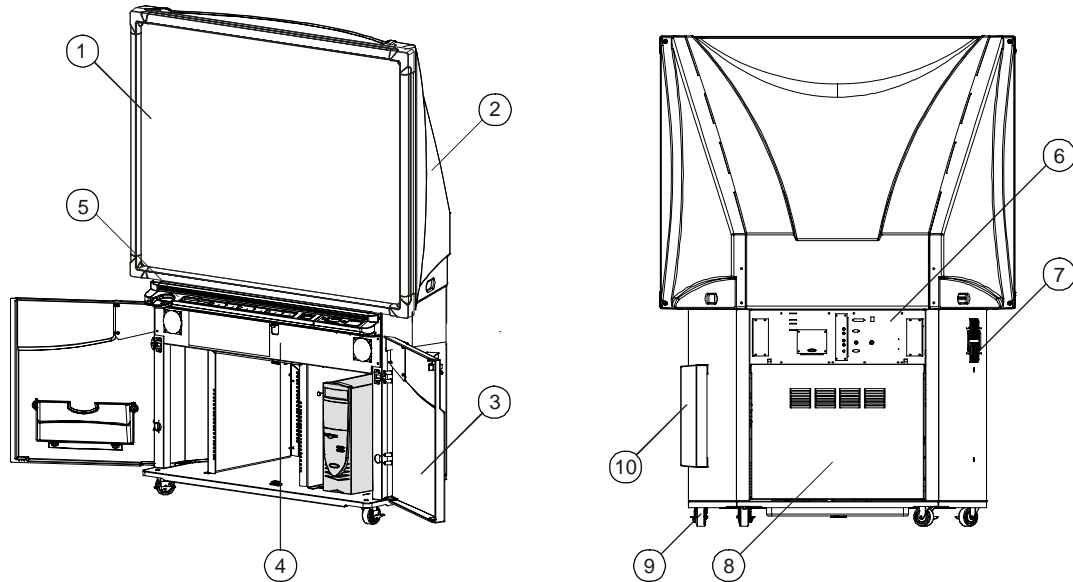
To order any parts from these service parts diagrams, please contact your local reseller. To find a reseller near you, visit [www.smarttech.com/where](http://www.smarttech.com/where).

### For Dealers and Distributors

For specific technical and pricing enquiries in regards to these diagrams please contact our service parts department. Pricing is also available on-line via the SOURCE website ([source.smarttech.com](http://source.smarttech.com))

E-mail: [serviceparts@smarttech.com](mailto:serviceparts@smarttech.com)  
Phone: 1.888.42.SMART  
International: +1.403.245.0333

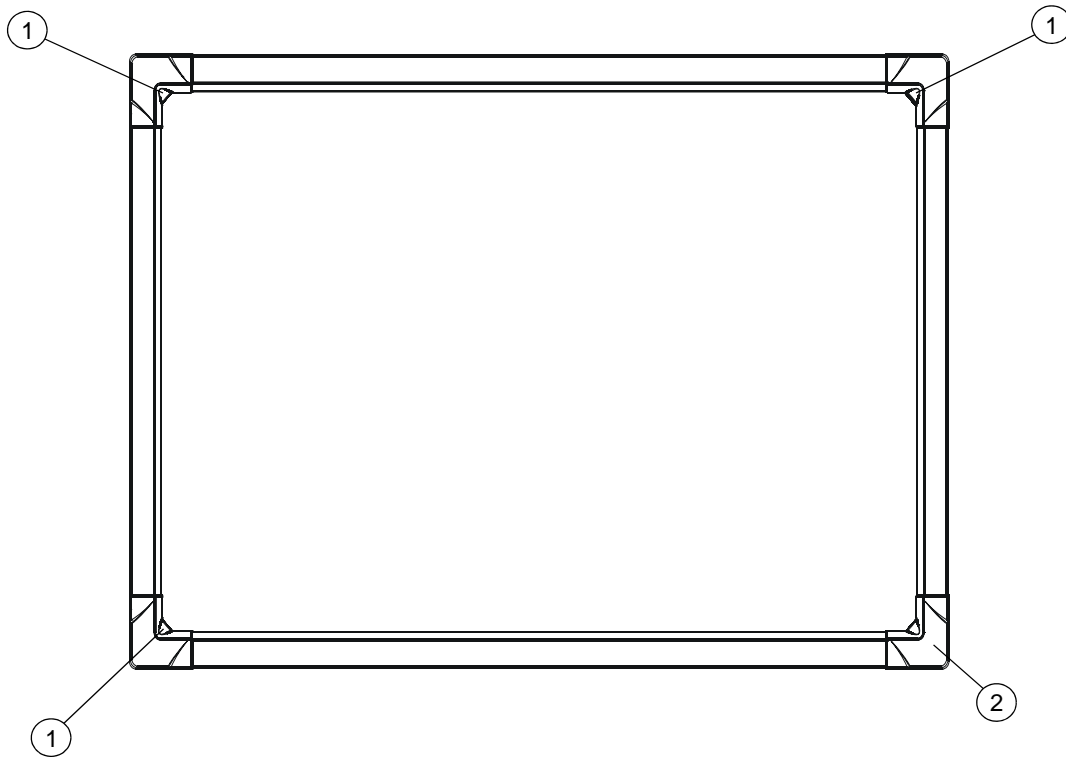
## Major Components



| Item      | Part No.     | Qty | Description  |
|-----------|--------------|-----|--|
| 1         | FRU-RB467-x  | 1   | FRU, RB467, replacement screen, 67"<br><b>NOTE:</b> Contact Technical Support for firmware version verification. |
| 2         | 20-00023-20  | 1   | Large mirror, assembly   |
| 3         | FRU-3000i-FD | 1   | Front door assembly. Includes both doors for color matching purposes.  |
| 4         | 20-00027-01  | 1   | Speaker panel  |
| 5         | PT10-3000i   | 1   | FRU, pen tray, 3000i<br><b>NOTE:</b> Does not include controller or control panel.                               |
| 6         | 20-00025-05  | 1   | Rear connection panel  |
| 7         | 20-00029-20  | 1   | Fan  |
| 8         | 51-00205-20  | 1   | Rear access panel  |
| 9         | 10-015       | 4   | Caster, 3", black, top locking   |
| 10        | 200-0031     | 1   | Keyboard holder  |
| Not shown | 03-00042     | 1   | Keyboard, wireless, includes receiver  |
| Not shown | 20-00375-00  | 1   | Packaging, RPSB: model 3000i-DV  |

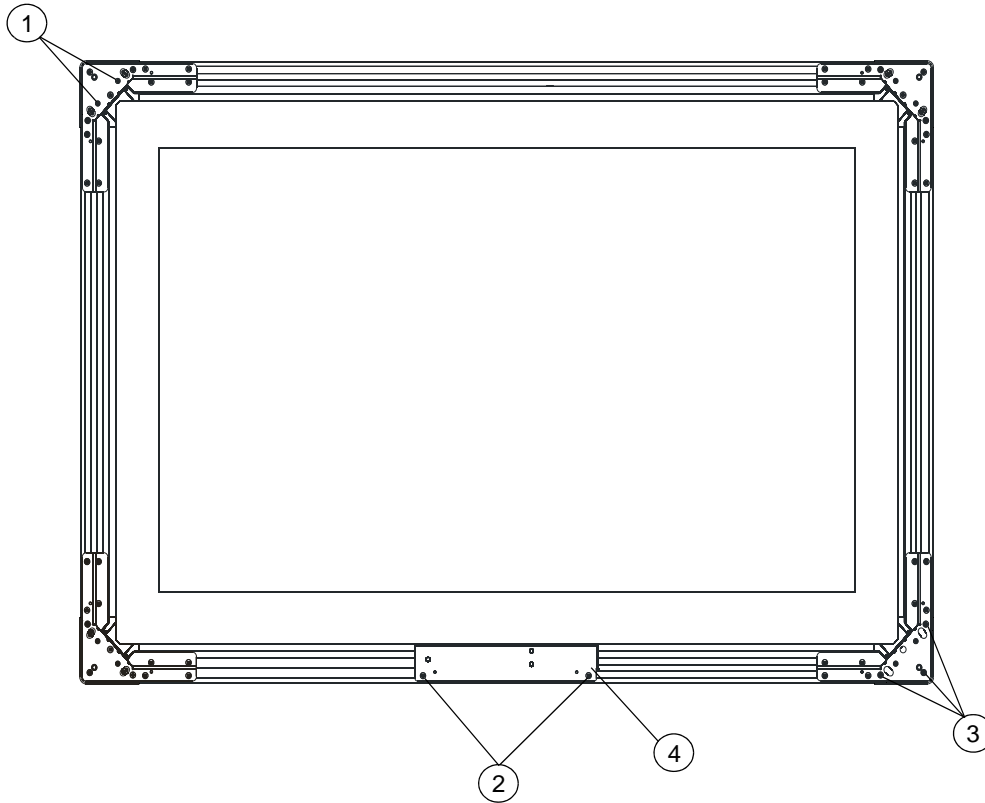
**NOTE:** Please refer to subsequent diagrams for more information about major components.

## Front View of Interactive Whiteboard (Part No. FRU-RB467-x)



| Item      | Part No.      | Qty | Description  |
|-----------|---------------|-----|--|
| 1         | FRU-DV-CAMx-y | 3   | FRU, camera, DVIT<br><b>NOTE:</b> Call Technical Support for firmware version verification.                            |
| 2         | 52-00153-00   | 4   | Corner cap, outer, silver  |
| Not shown | FRU-LED-67    | 1   | FRU, LED replacement strips, all four sides  |
| Not shown | FRU-LED-67L   | 2   | FRU, LED replacement strip, long   |
| Not shown | FRU-LED-67S   | 2   | FRU, LED replacement strip, short  |
| Not shown | 93-00425-20   | 1   | Cable, MOD8 to MOD8, 3' 11" (1.2 m)<br><b>NOTE:</b> Connects the bottom right camera to the hub, viewed from the rear. |
| Not shown | 93-00426-20   | 1   | Cable, MOD8 to MOD8, 4' 11" (1.5 m)<br><b>NOTE:</b> Connects the top left camera to the hub, viewed from the rear.     |
| Not shown | 93-00427-20   | 1   | Cable, MOD8 to MOD8, 7' 5" (2.3 m)<br><b>NOTE:</b> Connects the top right camera to the hub, viewed from the rear.     |

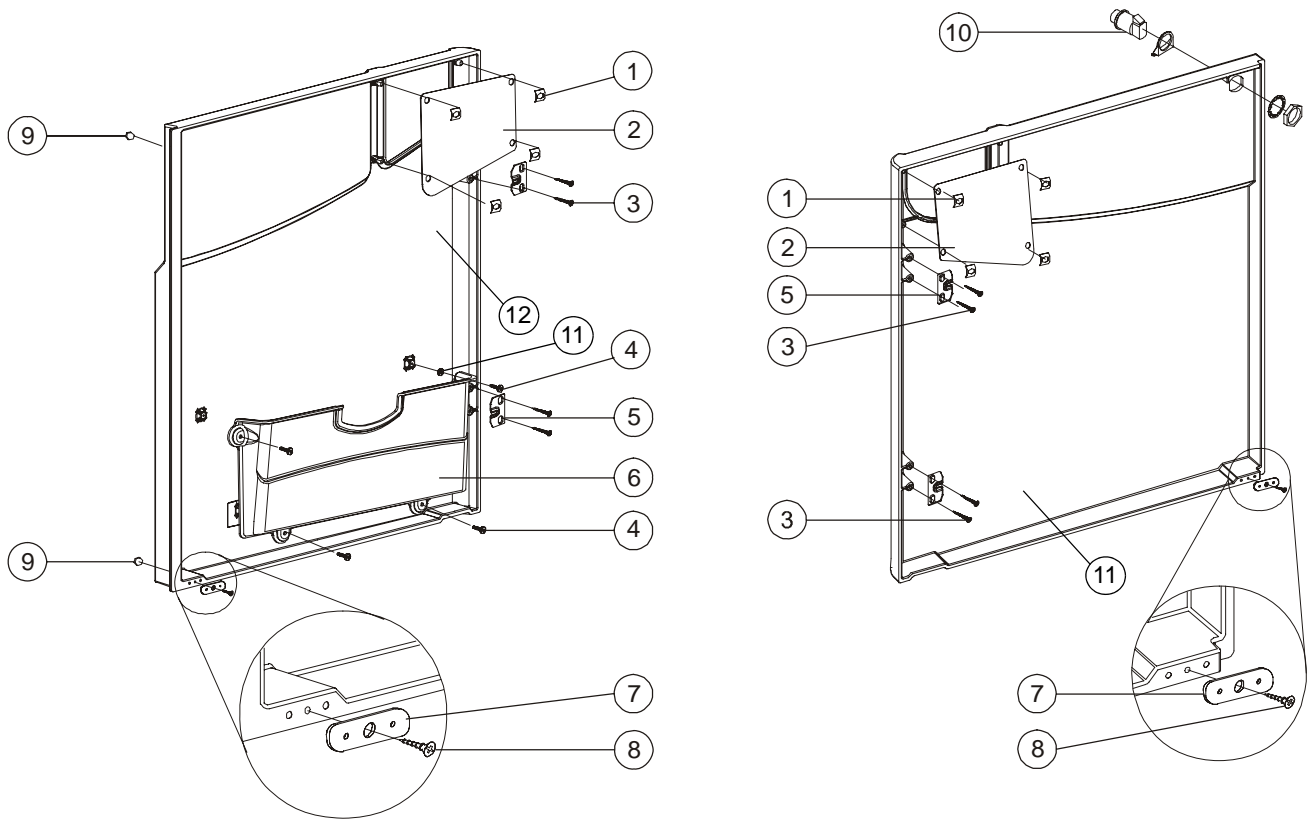
## Rear View of Interactive Whiteboard (Part No. FRU-RB467-x)



| Item | Part No.    | Qty | Description  |
|------|-------------|-----|--|
| 1    | 30-00885    | 8   | Screw, 8-32 x 3/8", Phillips, flat head, undercut<br><b>NOTE:</b> For attaching cameras.           |
| 2    | 30-00653-20 | 2   | Screw, 10-32 x 3/8", square recess, flat head<br><b>NOTE:</b> For attaching hub.                   |
| 3    | 30-00719-20 | 12  | Screw, No. 10 x 3/4", Phillips, flat head, for plastics<br><b>NOTE:</b> For attaching corner caps. |
| 4    | FRU-DV-HUB1 | 1   | FRU, hub, assembly   |

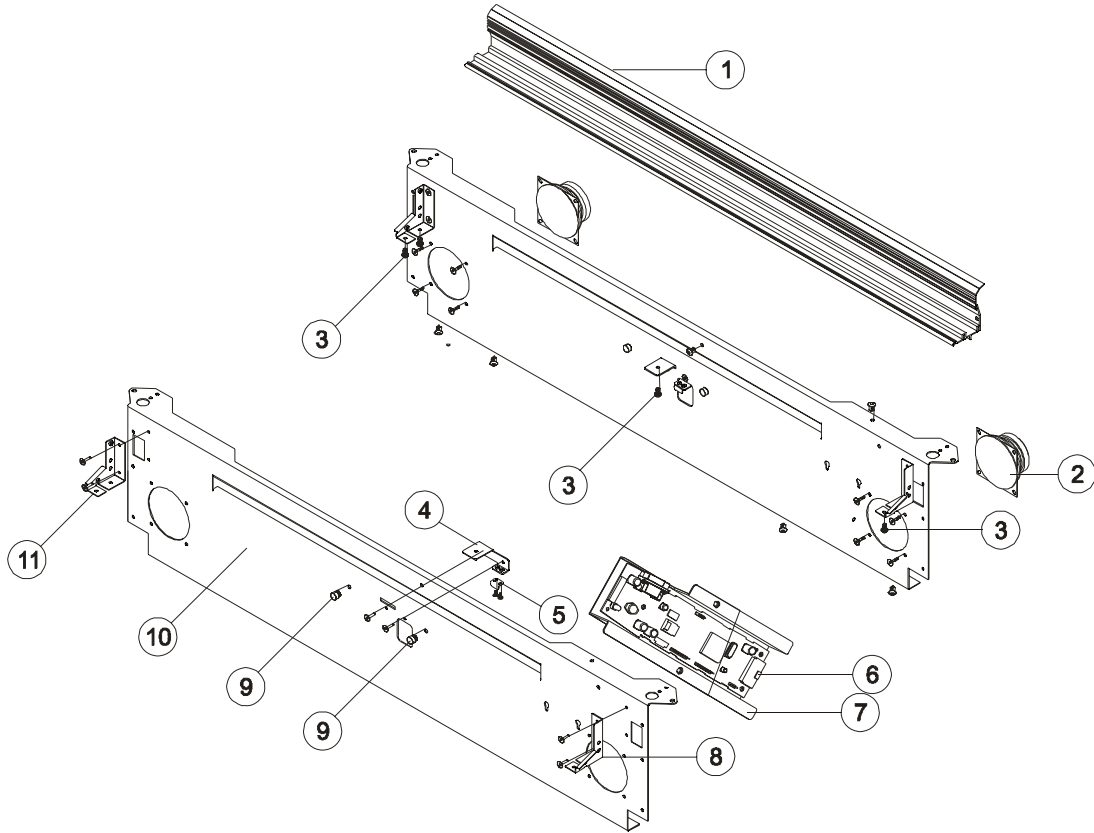


**Front Doors (Part No. FRU-3000i-FD)**  
**Includes Both Left and Right Doors for Color Matching**



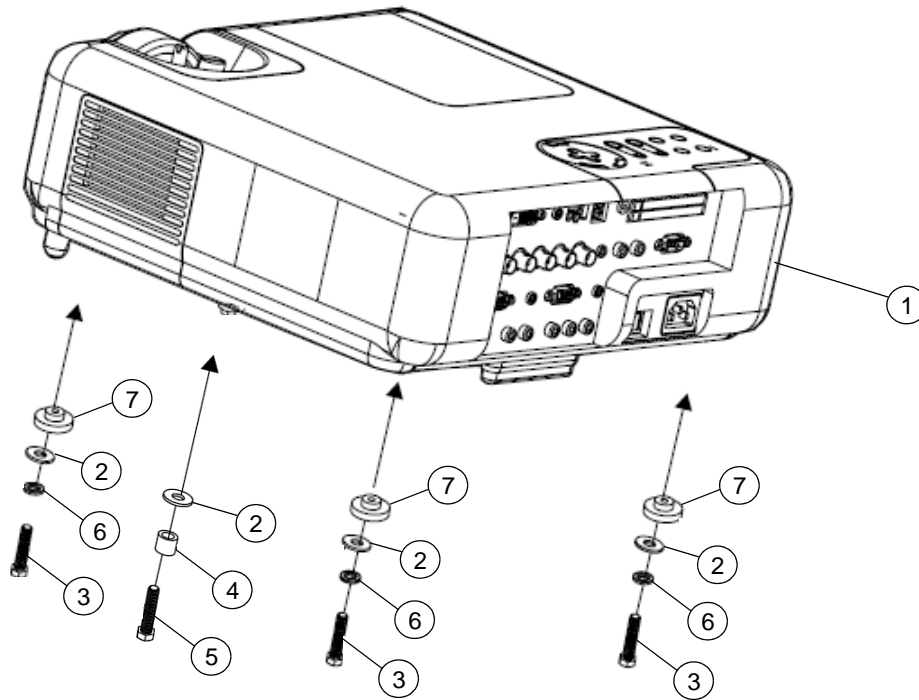
| Item | Part No.    | Qty | Description   |
|------|-------------|-----|---|
| 1    | 30-430      | 8   | Fastener, push-on, for 10/32" post                        |
| 2    | 51-00245-00 | 2   | Grill, speaker  |
| 3    | 30-00464-20 | 8   | Screw, No. 6 x 1", Phillips, flat head, for plastics      |
| 4    | 30-00463-20 | 4   | Screw, No. 10 x 1/2", Phillips, pan head, high/low thread |
| 5    | 30-268      | 4   | Mounting plate, hinge                                     |
| 6    | SJ67-111-00 | 1   | Holder, document  |
| 7    | 30-01041-20 | 2   | Catch, plate  |
| 8    | 30-00466-20 | 2   | Screw, No. 4 x 1/2", Phillips, flat head                  |
| 9    | 30-00989    | 2   | Bumper, rubber, self-adhesive                             |
| 10   | 30-272      | 1   | Lock, push, keyed. Uses key CH751.                        |
| 11   | 30-279      | 4   | Washer, rubber, 1/4"                                      |

# Speaker Panel



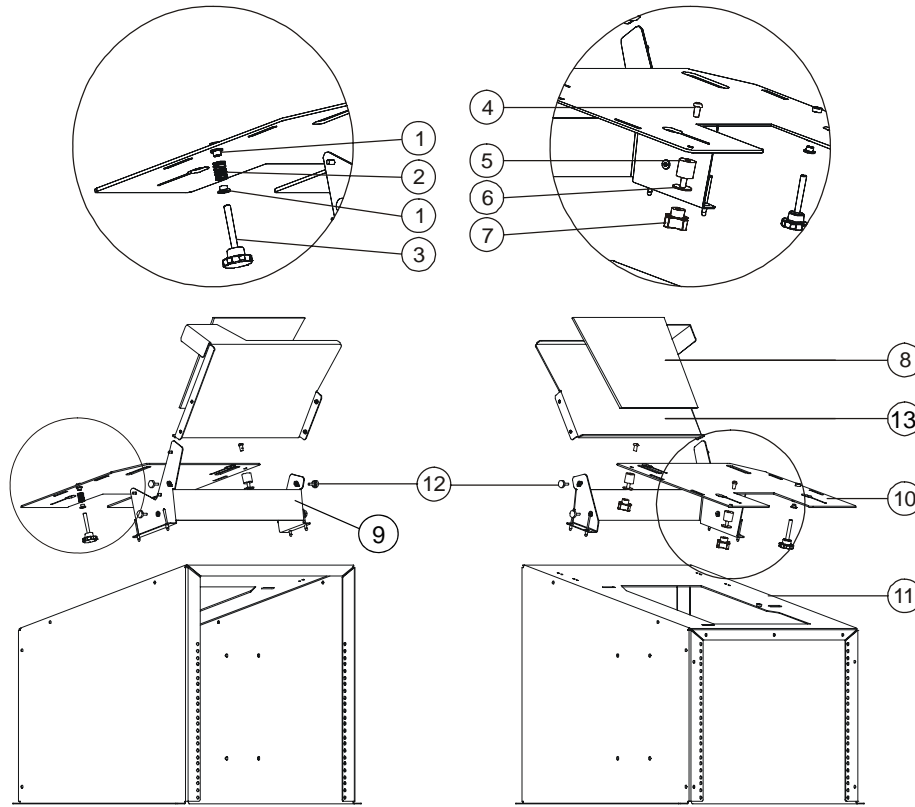
| Item | Part No.     | Qty | Description  |
|------|--------------|-----|--|
| 1    | SJ67-500-00  | 1   | Extrusion, pen tray  |
| 2    | 03-00066     | 1   | Speaker, 80W, 4" diameter, with grill, pair  |
| 3    | 30-461       | 5   | Screw, 10-32 x 3/8", hex, button head  |
| 4    | SJ67-212-00  | 1   | Bracket, pen tray, center  |
| 5    | 30-00035-20  | 2   | Screw, 6-32 x 1/4", square recess and slot, round head   |
| 6    | FRU-DV-SC8-x | 1   | FRU, replacement serial controller<br><b>NOTE:</b> Call Technical Support for firmware version verification. |
| 7    | 51-00224-20  | 1   | Cover, serial controller card  |
| 8    | SJ67-211-00  | 1   | Bracket, pen tray, right   |
| 9    | 30-298       | 2   | Bumper, 7/32" x 13/32" diameter, rubber  |
| 10   | 51-00228-01  | 1   | Panel, speaker, bare   |
| 11   | SJ67-210-00  | 1   | Bracket, pen tray, left  |

# Projector NEC MT1060



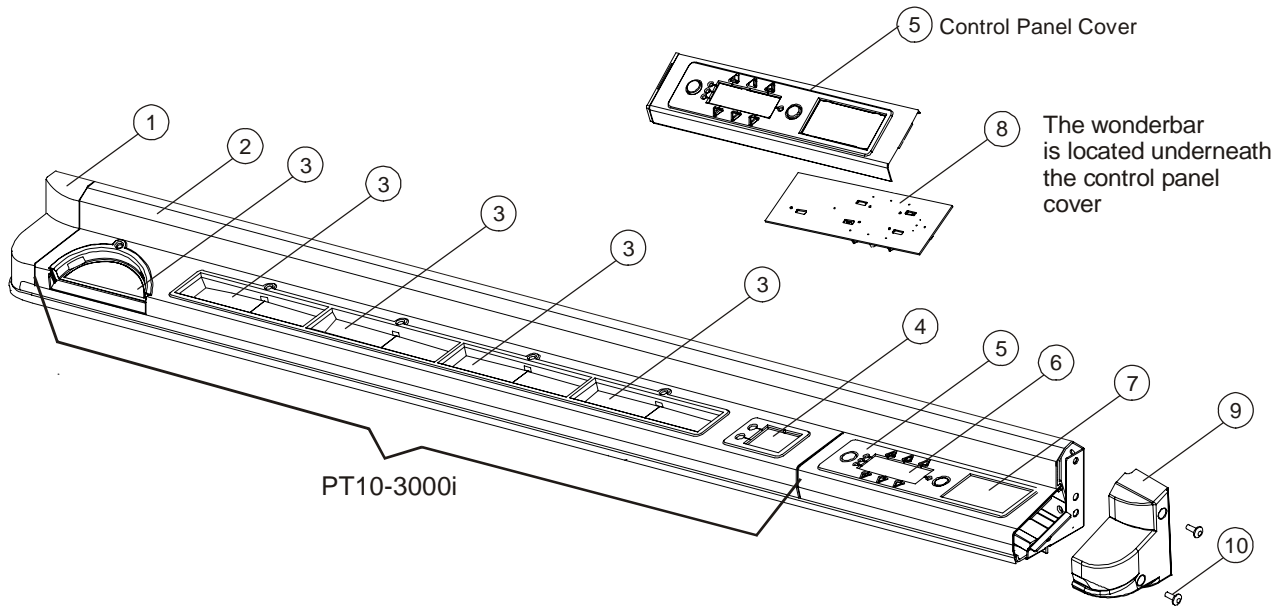
| Item      | Part No.       | Qty | Description   |
|-----------|----------------|-----|---|
| 1         | FRU-NEC1060    | 1   | Projector, NEC MT1060 with modified SMART lens. Does not include any accessories or projector mounting plate. Please call Technical Support to discuss repair or replacement options. |
| 2         | 30-00756       | 4   | Washer, M4, fender  |
| 3         | 30-00758       | 3   | Screw, M4 x 22 mm, hex, cap head  |
| 4         | 30-00759       | 1   | Bumper, rubber  |
| 5         | 30-00866       | 1   | Screw, M4 x 12 mm, TORX®, security, button head   |
| 6         | 30-00451-20    | 3   | Washer, M4, split, lock   |
| 7         | 51-00261-00    | 3   | Spacer, NEC MT1060  |
| Not shown | FRU-1060-HWKIT | 1   | FRU, hardware kit, MT1060<br><b>NOTE:</b> Contains items 2, 3, 4, 5, 6 and 7.   |

# Projector Platform for the NEC MT1060



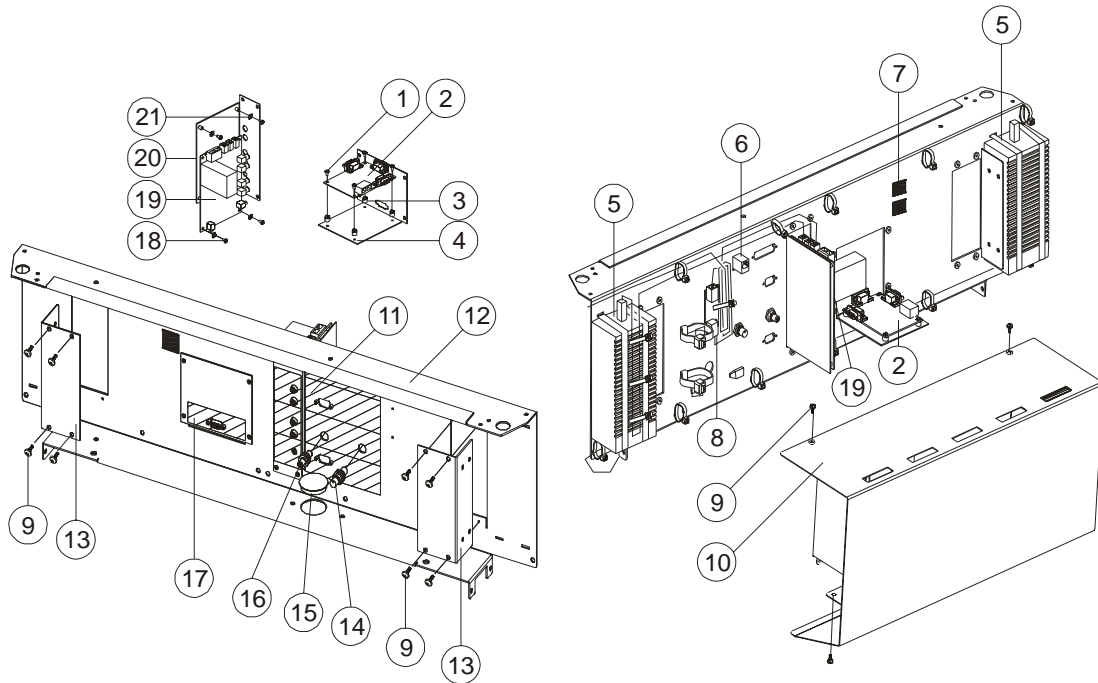
| Item | Part No.    | Qty | Description                             |
|------|-------------|-----|---|
| 1    | 30-362      | 2   | Washer, 1/4", shoulder, nylon           |
| 2    | 30-00434-20 | 1   | Spring, 1 1/2" x 15/32"                 |
| 3    | 30-00545-20 | 1   | Screw, 1/4"-20 x 2 1/4" with knob       |
| 4    | 30-287      | 2   | Screw, 1/4"-20 x 1/4", hex, button head |
| 5    | 30-00439-20 | 2   | Mount, vibration                        |
| 6    | 30-441      | 2   | Washer, 1/4", nylon                     |
| 7    | 30-363      | 2   | Knob, 1/4"-20 insert                    |
| 8    | 53-00012-01 | 1   | Mirror, small                           |
| 9    | 51-00202-00 | 1   | Stand, small mirror                     |
| 10   | 51-00201-00 | 1   | Plate, projector, for the NEC MT1060    |
| 11   | 51-00200-01 | 1   | Platform, projector, for the NEC MT1060 |
| 12   | 30-00757    | 4   | Screw, No. 10-32 x 1", thumb            |
| 13   | 51-00203-01 | 1   | Holder, small mirror                    |

# Pen Tray



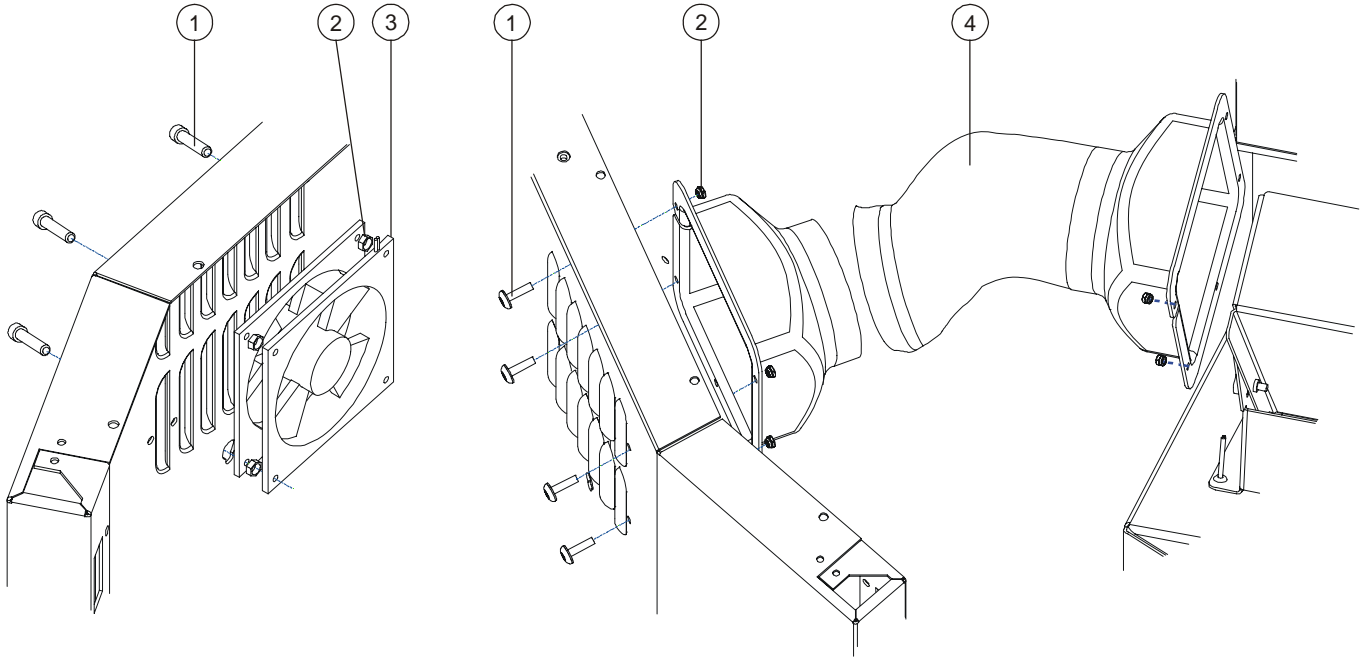
| Item | Part No.       | Qty | Description   |
|------|----------------|-----|---|
| 1    | SJ67-107-00-01 | 1   | End cap, left, viewed from the front  |
| 2    | PT10-3000i     | 1   | Pen tray. Does not include controller or control panel.                     |
| 3    | 43-00160-20    | 1   | Label, eraser, black, blue, green and red color inserts                     |
| 4    | 43-00066-20    | 1   | Label, button overlay, projected mode                                       |
| 5    | CONTRLP-3000i  | 1   | Cover, control panel  |
| 6    | 43-298-00      | 1   | Label, control panel buttons  |
| 7    | 43-297-00      | 1   | Label, control panel instructions   |
| 8    | FRU-WBAR-V.x   | 1   | Wonderbar. Please call Technical Support for firmware version verification. |
| 9    | SJ67-108-00-01 | 1   | End cap, right, viewed from the front                                       |
| 10   | 30-00436-20    | 7   | Screw, No. 8-32 x 3/8", Phillips, pan head                                  |

## Rear Connection Panel



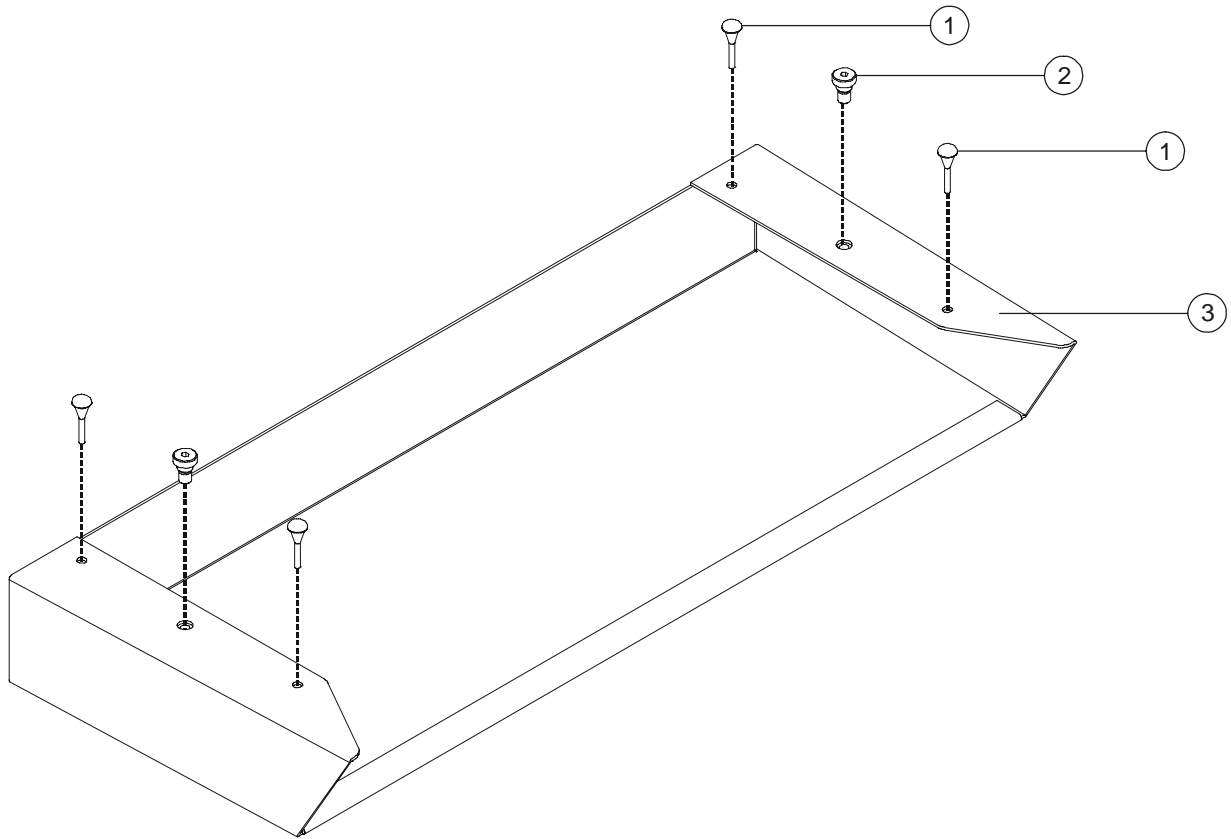
| Item | Part No.       | Qty | Description  |
|------|----------------|-----|--|
| 1    | 30-00664-20    | 4   | Screw, No. 6-32 x 1/2", combination, pan head, machine |
| 2    | FRU-XP20-3000i | 1   | X-Port™ 20 serial switch                               |
| 3    | 30-554         | 4   | Stand off, 1/4", circuit card                          |
| 4    | SJ67-241-00    | 1   | Bracket, X-Port 20 switch                              |
| 5    | 60-00051-20    | 2   | Power supply, 12V DC, 5.0A, universal switching        |
| 6    | 12-00180-20    | 1   | Coupler, Cat 5e, RJ45, snap-in                         |
| 7    | 30-438         | 1   | Strap, hook and loop fastener                          |
| 8    | 26-00018-20    | 1   | Fan control  |
| 9    | 30-00437-20    | 20  | Screw, No. 10-32 x 1/2", Phillips, pan head            |
| 10   | 51-00222-00    | 1   | Cover, rear connection panel                           |
| 11   | 43-467-00      | 1   | Label, X-Port 20 switch and audio amplifier            |
| 12   | 51-00244-00    | 1   | Panel, rear connection, bare                           |
| 13   | SJ67-226-00    | 2   | Panel, blank   |
| 14   | 12-154         | 1   | Connector, S-video female to S-video female, bulkhead  |
| 15   | 30-308         | 1   | Plug, 1 1/2"   |
| 16   | 12-00156-20    | 1   | Connector, video, RCA female to RCA female, bulkhead   |
| 17   | 43-00468-20    | 1   | Label, rear connection panel, X-Port 20 switch         |
| 18   | 30-00035-20    | 6   | Screw, No. 6-32 x 1/2", pan hed, machine               |
| 19   | FRU-MIXER-XP20 | 1   | Mixer and audio amplifier                              |
| 20   | SJ67-242-00    | 1   | Bracket, mixer, audio amplifier                        |
| 21   | 30-00386-20    | 6   | Washer, No. 6, star, tooth                             |

# Fan



| Item | Part No.    | Qty | Description                         |
|------|-------------|-----|-------------------------------------|
| 1    | 30-178      | 8   | Screw, 10-32 x 1", hex, button head |
| 2    | 30-00079-20 | 8   | Nut, 10-32, hex, locking, nylon     |
| 3    | 20-00029-20 | 1   | Fan                                 |
| 4    | 52-00151-20 | 1   | Duct, exhaust                       |

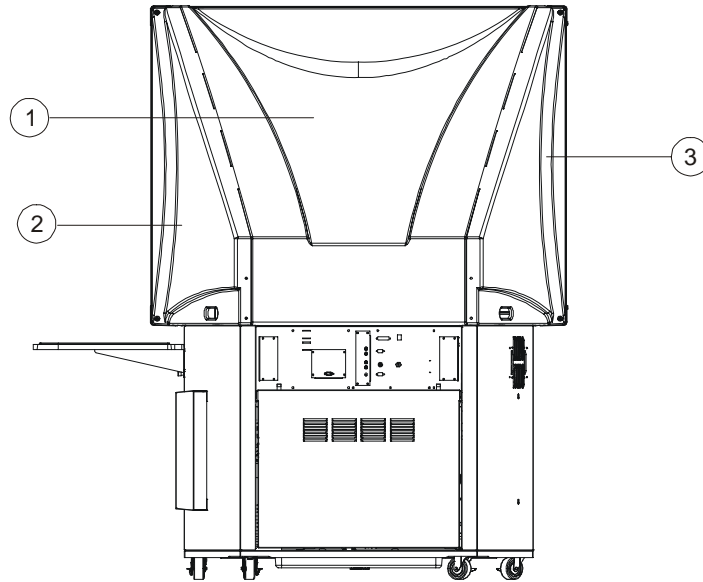
# Keyboard Holder



| Item | Part No.    | Qty | Description                                    |
|------|-------------|-----|--|
| 1    | 30-407      | 4   | Bumper, RB126, rubber                          |
| 2    | 30-00711    | 2   | Screw, No. 10-32 x 1/8", socket head, shoulder |
| 3    | SJ67-231-00 | 1   | Holder, keyboard                               |

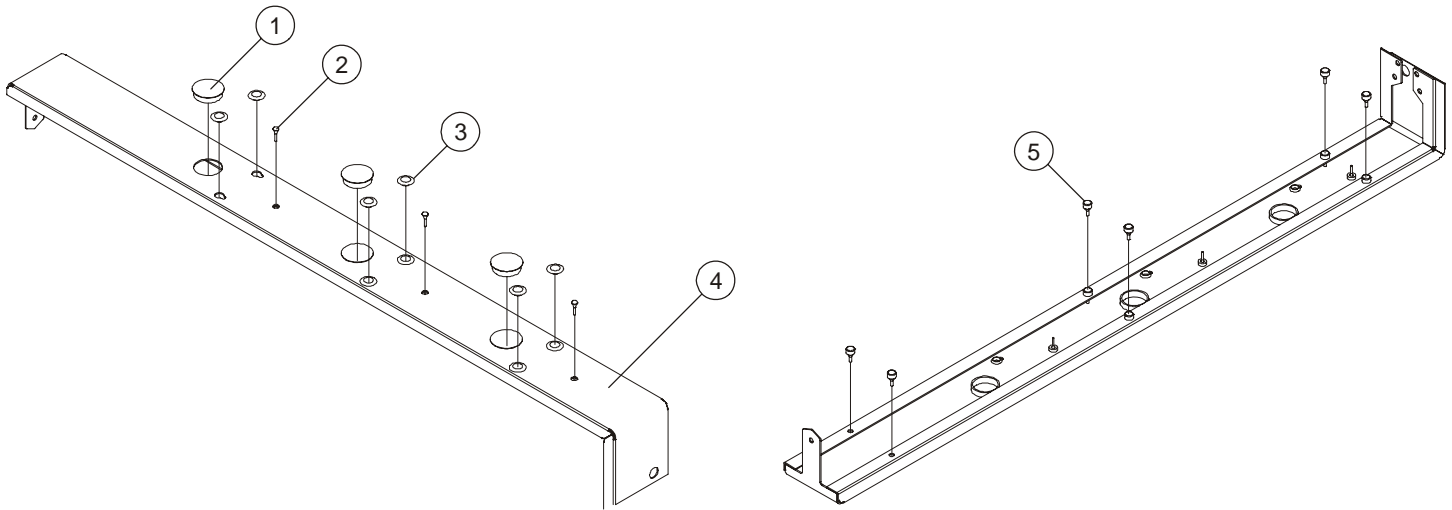


## Upper Cabinet Covers



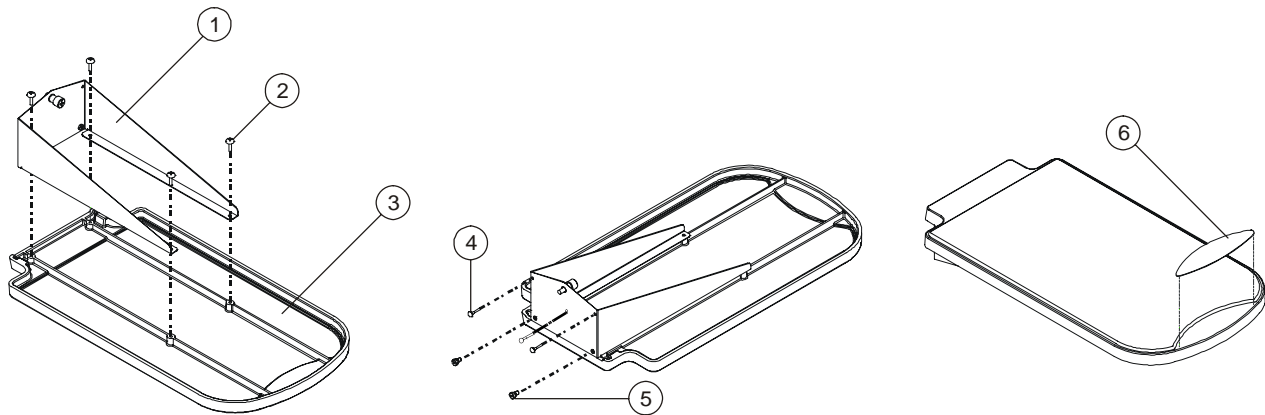
| Item      | Part No.    | Qty | Description                              |
|-----------|-------------|-----|--|
| 1         | SJ67-104-01 | 1   | Cover, top, rear                         |
| 2         | SJ67-103-00 | 1   | Cover, top, right, viewed from the front |
| 3         | SJ67-102-00 | 1   | Cover, top, left, viewed from the front  |
| Not shown | 30-287      | 8   | Screw, 1/4"-20 x 1/4", hex, button head  |

## Videoconferencing Arm (Included in Part Numbers 3000i-VC1 and 3000i-VC2)



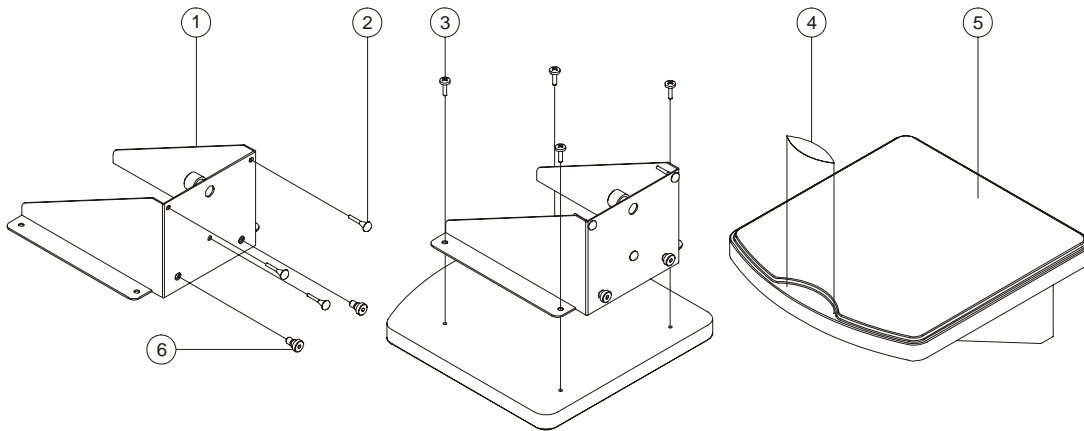
| Item      | Part No.   | Qty | Description   |
|-----------|------------|-----|---|
| 1         | 30-308     | 3   | Plug, 1 1/2"  |
| 2         | 30-407     | 3   | Plug, RB126, rubber   |
| 3         | 30-431     | 6   | Plug, 1/2", plastic   |
| 4         | 51-0040-00 | 1   | Bracket, videoconference arm  |
| 5         | 30-391     | 6   | Plug, bumper  |
| Not shown | 30-366     | 3   | Screw, 1/4"-20 x 3/4", hex, button head<br><b>NOTE:</b> For attaching arm to 3000i. |

**Large Videoconference Shelf (Part No. 3000i-VC1)**  
**Both Shelves contain the Video Conferencing Arm**



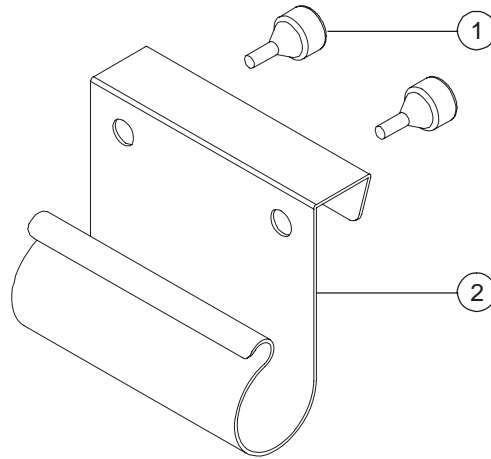
| Item | Part No.    | Qty | Description   |
|------|-------------|-----|---|
| 1    | 51-0041-00  | 1   | Bracket, large videoconference shelf, including captive pem screw |
| 2    | 30-00463-20 | 4   | Screw, No. 10 x 1/2", Phillips, pan head, high/low thread         |
| 3    | 52-00415-20 | 1   | Shelf, laptop   |
| 4    | 30-407      | 3   | Bumper, RB126, rubber   |
| 5    | 30-00429-20 | 2   | Screw, 10-32 x 1/2", hex, shoulder head                           |
| 6    | 43-00299-20 | 1   | Label, laptop shelf   |

**Small Videoconference Shelf (Part No. 3000i-VC2)**



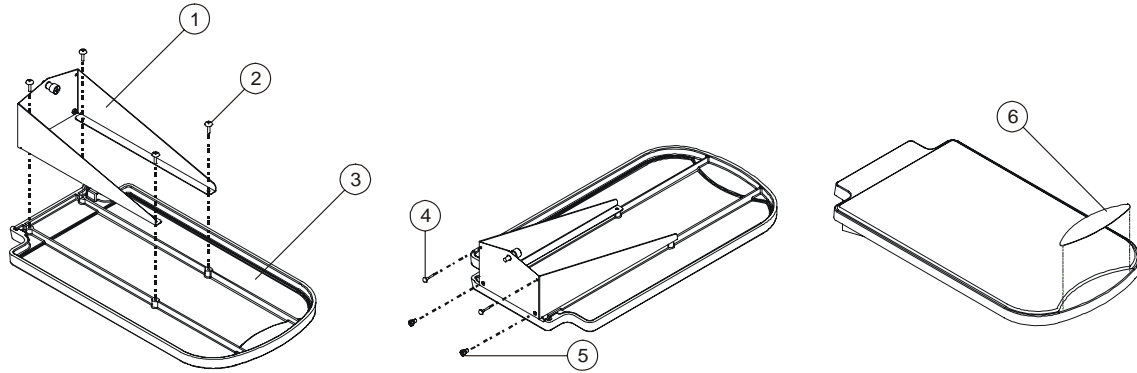
| Item | Part No.    | Qty | Description   |
|------|-------------|-----|---|
| 1    | 51-0039-00  | 1   | Bracket, videoconference shelf, small                     |
| 2    | 30-407      | 3   | Bumper, RB126, rubber                                     |
| 3    | 30-00463-20 | 4   | Screw, No. 10 x 1/2", Phillips, pan head, high/low thread |
| 4    | 43-00040-20 | 1   | Label, small videoconference shelf                        |
| 5    | 52-0031-00  | 1   | Shelf, small videoconference                              |
| 6    | 30-00429-20 | 2   | Screw, 10-32 x 1/2", hex, shoulder head                   |

## J-Hook (Part No. FRU-JHK-3000i)

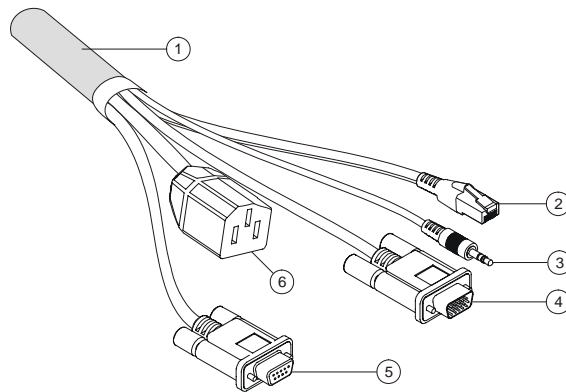


| Item | Part No.    | Qty | Description           |
|------|-------------|-----|-----------------------|
| 1    | 30-00752    | 2   | Strip, bumper, rubber |
| 2    | 51-00042-01 | 1   | J-hook                |

## Laptop Shelf and Cable Harness Kit (Part No. 3000i-LTS)



| Item | Part No.    | Qty | Description   |
|------|-------------|-----|---|
| 1    | SJ67-225-00 | 1   | Bracket, laptop shelf, including captive pem screw        |
| 2    | 30-00463-20 | 4   | Screw, No. 10 x 1/2", Phillips, pan head, high/low thread |
| 3    | 52-00415-20 | 1   | Shelf, laptop   |
| 4    | 30-407      | 2   | Bumper, RB126, rubber                                     |
| 5    | 30-00429-20 | 2   | Screw, 10-32 x 1/2", hex, shoulder head                   |
| 6    | 43-00299-20 | 1   | Label, laptop shelf                                       |



| Item      | Part No.    | Qty | Description  |
|-----------|-------------|-----|--|
| 1         | 87-00102-00 | 1   | Sleeve, cable, black, velcro   |
| 2         | 93-00342-01 | 1   | Cable, network, Cat 5e, RJ45, 6' 6" (2.0 m)  |
| 3         | 93-00301-20 | 1   | Cable, audio, 3.5 mm male to 3.5 mm male, 6' 6" (2.0 m)  |
| 4         | 93-00315-20 | 1   | Cable, video, HD15 male to HD15 male, 6' (1.8 m)   |
| 5         | 93-00027-20 | 1   | Cable, serial, DB9 male to DB9 female, 6' (1.8 m)  |
| 6         | 93-097-00   | 1   | Cable, power, IEC male to female, 5' (1.5 m)   |
| Not shown | 12-00180-20 | 1   | Coupler, Cat 5, RJ45, snap-in  |
| Not shown | USB-ADP     | 1   | Cable, USB, DB9 male to USB, 2'6" (76.2 cm)<br><b>NOTE:</b> Does not provide power. Refer to product price list. |

## Accessory Kit (Part No. AK-00050-00)

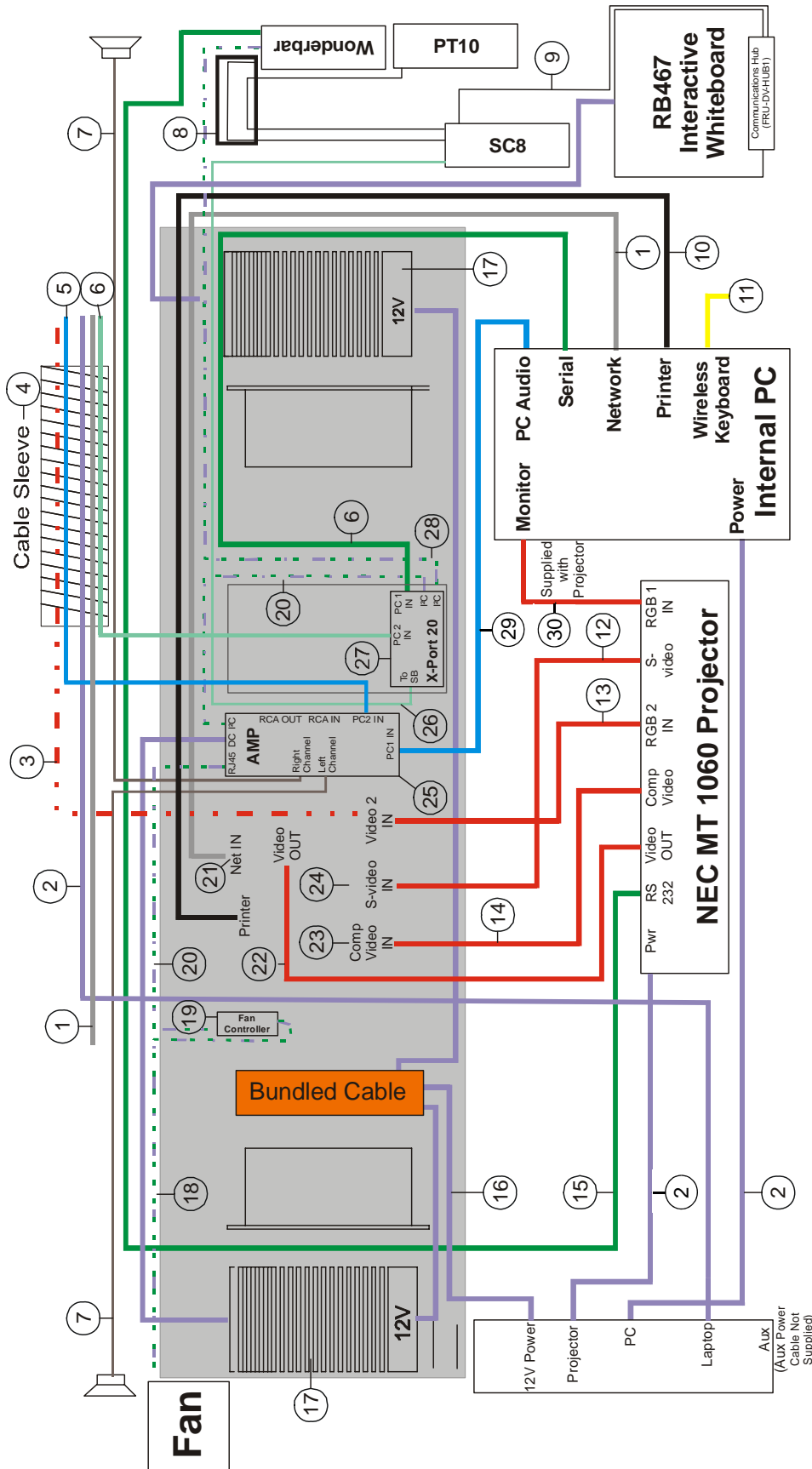
| Part No. | Qty | Description   |
|----------|-----|---|
| RPEN     | 1*  | Pens - set of four (Black, Blue, Red, Green)  |
| ERA-003  | 1   | Small eraser, comes with eraser barrier   |
| 30-00755 | 1   | Hex key, M3   |
| 78-00034 | 1   | Wrench, 7/16"   |
| 78-018   | 1   | Hex key, 5/32"  |
| 78-020   | 1   | Screwdriver, Phillips, No. 2  |
| USB-ADP  | 1*  | Cable, USB, DB9 male to USB, 2' 6" (76.2 m)<br><b>NOTE:</b> Does not provide power. |

## RPSB3000i-DV Optional Accessories

| Part No.     | Qty | Description   |
|--------------|-----|---|
| 01-00128     | 1*  | Lamp, MT60LP, standard lamp for the NEC MT1060 projector  |
| 01-00129     | 1*  | Lamp, MT60LPS, extended-life lamp for the NEC MT1060 projector  |
| 03-00037     | 1*  | Projector, NEC MT1060, with modified SMART lens. Includes accessories, does not include mounting plate. Please call Technical Support to discuss repair or replacement options. |
| 3000I-RCM    | 1*  | Room control module for 3000i   |
| 3000I-LTS    | 1*  | Laptop shelf and cable harness kit for 3000i  |
| 3000I-VC1-00 | 1*  | Shelf, videoconference, large. Includes videoconference arm.  |
| 3000I-VC2-00 | 1*  | Shelf, videoconference, small. Includes videoconference arm.  |
| USB-ADP      | 1*  | Cable, USB, DB9 male to USB, 2' 6" (76.2 m)<br><b>NOTE:</b> Does not provide power.   |

\* Refer to the product price list.

# Wiring Diagram



Layout is roughly the same as viewed from front of cabinet looking inside to Patch Panel

- Power
- Serial
- Video
- Audio
- I<sup>2</sup>C Cables
- Hookup Wire
- Printer Cable
- Wireless Keyboard Cable
- Network Cable

| Item | Part No.       | Qty | Description  |
|------|----------------|-----|--|
| 1    | 93-00342-01    | 2   | Cable, network, Cat 5e, RJ45, 6'6" (2 m)   |
| 2    | 93-097-00      | 3   | Cable, power, IEC male to IEC female, 5' (1.5m)  |
| 3    | 93-101-00      | 1   | Cable, video, HD15 male to HD15 male, 6' (1.8m)  |
| 4    | 87-00102-00    | 1   | Sleeving, cable, black, hook and loop fastener   |
| 5    | 93-301-00      | 1   | Cable, audio, 3.5 mm male to 3.5 mm male, 6' (1.8m)                                    |
| 6    | 93-00027-20    | 2   | Cable, serial, DB9 female to DB9 female, 6' (1.8 m)                                    |
| 7    | 93-00197-20    | 2   | Cable, speaker, common   |
| 8    | 93-00393-20    | 1   | Cable, bundle, 4 pin I <sup>2</sup> C and 10 pin ribbon                                |
| 9    | 93-00379-20    | 1   | Cable, MOD8 to MOD8, 30" (76.2 cm)   |
| 10   | 93-00112-20    | 1   | Cable, printer, DB25 male to DB25 female, 6' (1.8 m)                                   |
| 11   | 03-00042       | 1   | Keyboard, wireless   |
| 12   | 93-00202-20    | 1   | Cable, S-video male to S-video male, 6' (1.8 m)  |
| 13   | 93-00421-00    | 1   | Cable, video, 5 x BNC to HD15 female, 6' (1.8 m)                                       |
| 14   | 93-104-00      | 1   | Cable, video, RCA male to RCA male, 6' (1.8 m)   |
| 15   | 93-00385-00    | 1   | Cable, serial, DB9 female to DB9 female, 8' (2.4 m)                                    |
| 16   | 93-00389-00    | 1   | Cable, power supply, "y" configuration, dual IEC female to single IEC male, 6' (1.8 m) |
| 17   | 60-00051-20    | 2   | Power supply, 12V DC, 5.0A, universal switching  |
| 18   | 93-00198-20    | 1   | Cable, fan to fan, control   |
| 19   | 26-00018-20    | 1   | Control board, fan   |
| 20   | 93-00199-20    | 2   | Cable, I <sup>2</sup> C, MOD6 to MOD6, 2' (91 cm)                                      |
| 21   | 12-00180-20    | 1   | Coupler, Cat 5e, RJ45, snap-in   |
| 22   | 93-00328-00    | 1   | Cable, video, HD15 male to DHD15 female, 6' (1.8 m)                                    |
| 23   | 12-00156-20    | 1   | Connector, video, RCA female to RCA female, bulkhead                                   |
| 24   | 12-154         | 1   | Connector, S-video female to S-video female, bulkhead                                  |
| 25   | FRU-MIXER-XP20 | 1   | Mixer and audio amplifier  |
| 26   | 93-304-00      | 1   | Cable, serial, DB9 female to DB9 female, 6' (1.8 m)                                    |
| 27   | FRU-XP20-3000i | 1   | X-Port 20 serial switch  |
| 28   | 93-00200-20    | 1   | Cable, I <sup>2</sup> C, MOD6 to MOD6 4'6" (1.4 m)                                     |
| 29   | 93-00395-20    | 1   | Cable, audio, 3.5 mm male to 3.5 mm male, right angle, 6' (1.8 m)                      |
| 30   | 93-00504-20    | 1   | Cable, video, HD15 male to HD15 male, 10' (3.1 m)                                      |