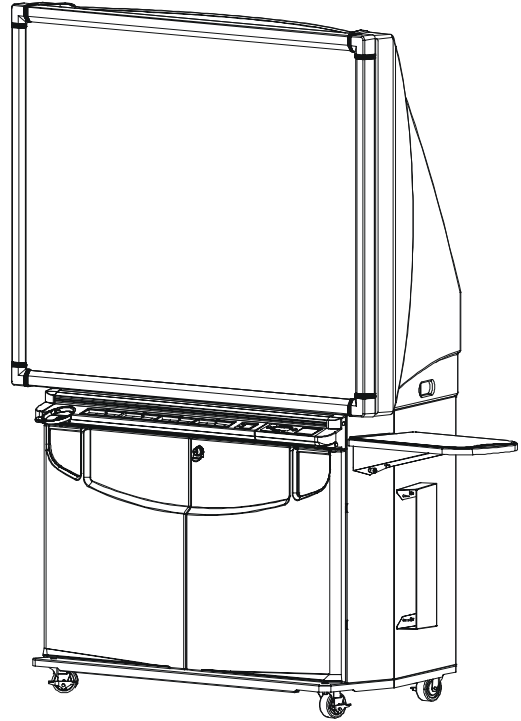


Rear Projection
SMART Board™



Service Parts Diagrams

For Model:
4000i-DV

Service Parts Diagrams for the *Rear Projection* SMART Board™ 4000i-DV Interactive Whiteboard

Identifying Your Product Using the Serial Number	1
To Order Parts from These Service Parts Diagrams	1
Overview	2
Front View of Interactive Whiteboard (Part No. FRU-RB467-xx-x.x)	3
Rear View of Interactive Whiteboard (Part No. FRU-RB467-xx-x.x)	4
Laptop Shelf	5
Front Doors (Part No. FRU-3000i-FD)	
Includes Both Left and Right Doors for Color Matching	6
Speaker Panel	7
Epson PowerLite 9300 Projector and Platform	8
Pen Tray	9
Rear Connection Panel	10
Fan	11
Keyboard Holder	12
Upper Cabinet Covers	13
Videoconferencing Arm (Included in Part Numbers 3000i-VC1-00 and 3000i-VC2-00)	14
Large Videoconference Shelf (Part No. 3000i-VC1-00) Includes Videoconference Arm	15
Small Videoconference Shelf (Part No. 3000i-VC2-00) Includes Videoconference Arm	16
J-Hook (Part No. FRU-JHK-3000i)	17
Guest Laptop Wire Harness (Part No. 200-0024-01)	18
Wiring Diagram	19
RPSB4000i-DV Accessories	21

SMART Technologies Inc.

Suite 300, 1207 – 11th Avenue SW

Calgary, AB CANADA T3C 0M5

Main Switchboard: 1.888.42.SMART (Canada/U.S.) or +1.403.245.0333 (all other countries)

Support Tel: 1.866.518.6791 (Canada/U.S.) or +1.403.228.5940 (all other countries)

Support Fax: +1.403.806.1256

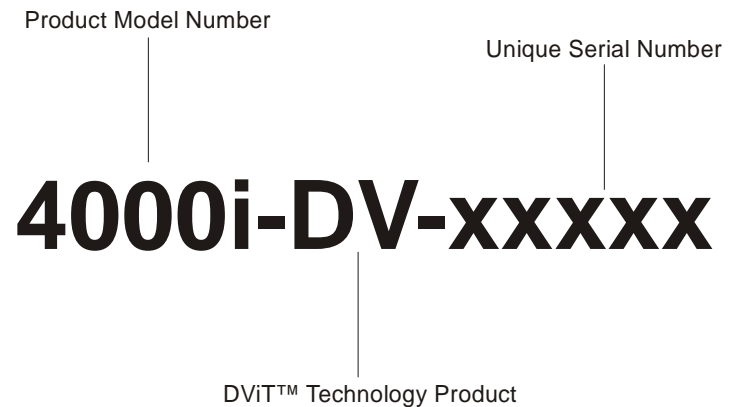
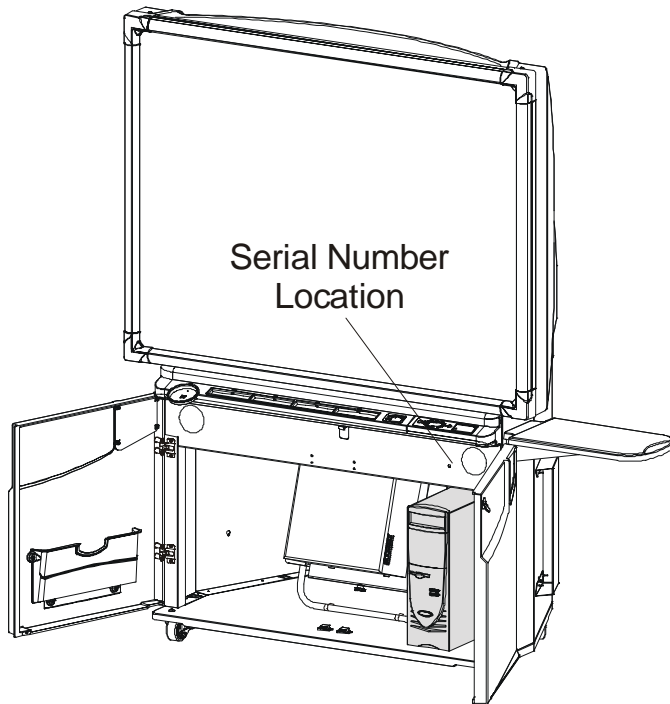
support@smarttech.com www.smarttech.com



Identifying Your Product Using the Serial Number

To make sure that you have the correct service parts diagrams, you must verify the serial number of your *Rear Projection SMART Board 4000i-DV* interactive whiteboard.

Open the front doors of the cabinet, and you'll find the serial number on a small white sticker near the right speaker. An example of the serial number is shown below.



Ordering Parts

Customers

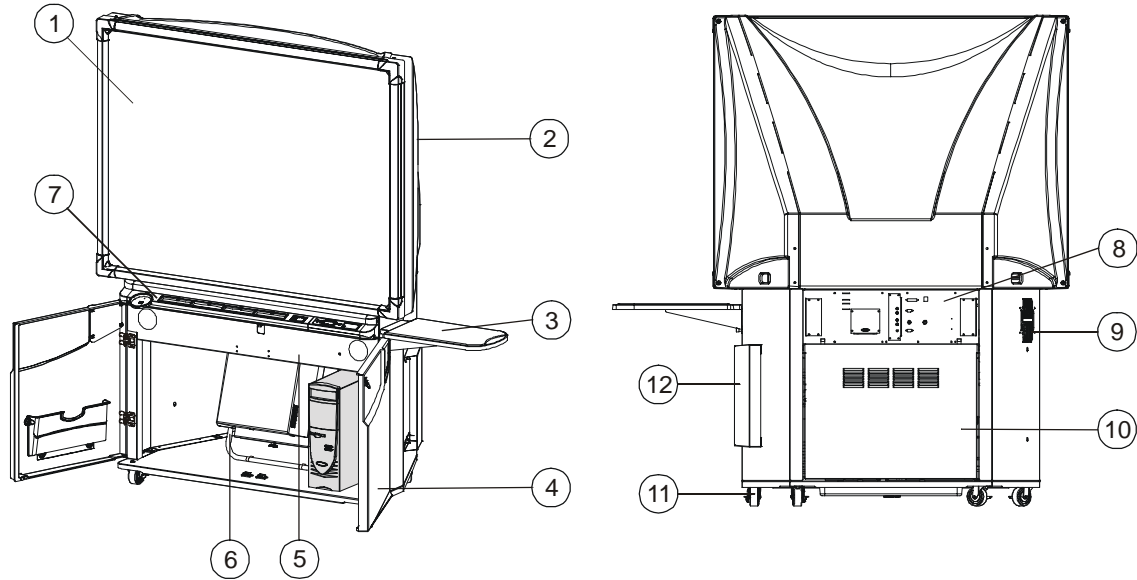
To order any of the parts in these service parts diagrams, contact your local reseller.
To find a reseller near you, visit www.smarttech.com/where.

Dealers and Distributors

To order any of the parts in these service parts diagrams, contact our order processing department.

E-mail: orders@smarttech.com
Phone: 1.888.42.SMART (press 4)
International: +1.403.245.0333 (press 4)

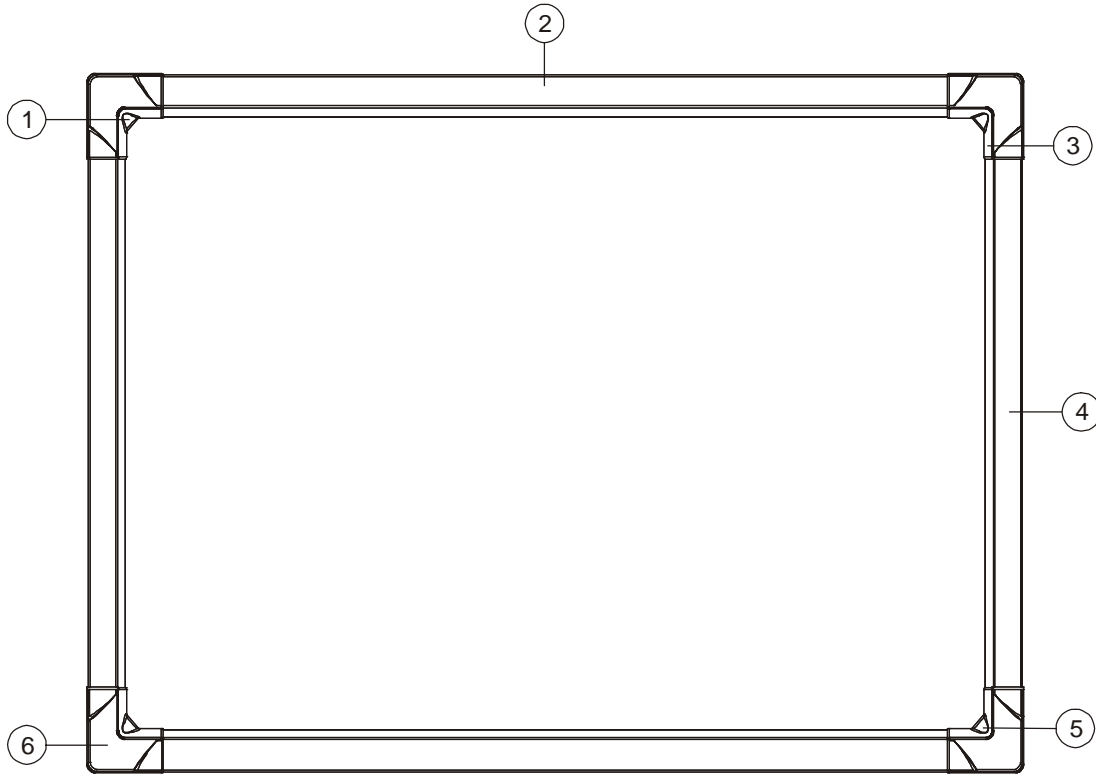
Overview



Item	Part No.	Qty	Description
1	FRU-RB467-xx-x.x	1	Rear Projection SMART Board 4000i-DV interactive whiteboard. Contact Technical Support for firmware version verification.
2	20-00023-01	1	Large mirror assembly
3	200-0022-01	1	Laptop shelf assembly
4	FRU-3000i-FD	1	Front door assembly. Includes both doors for color matching purposes.
5	20-00027-01	1	Speaker panel
6	20-00558-00	1	Projector platform for the Epson® PowerLite® 9300 projector
7	PT10-3000i	1	Pen tray. Does not include controller or control panel.
8	20-00025-05	1	Rear connection panel
9	20-00029-01	1	Fan
10	51-00205-00	1	Rear access panel
11	10-015	4	Caster, 3", black, top locking
12	200-00311	1	Keyboard holder
Not shown	20-00375-00	1	Packaging, 4000i-DV shipping carton

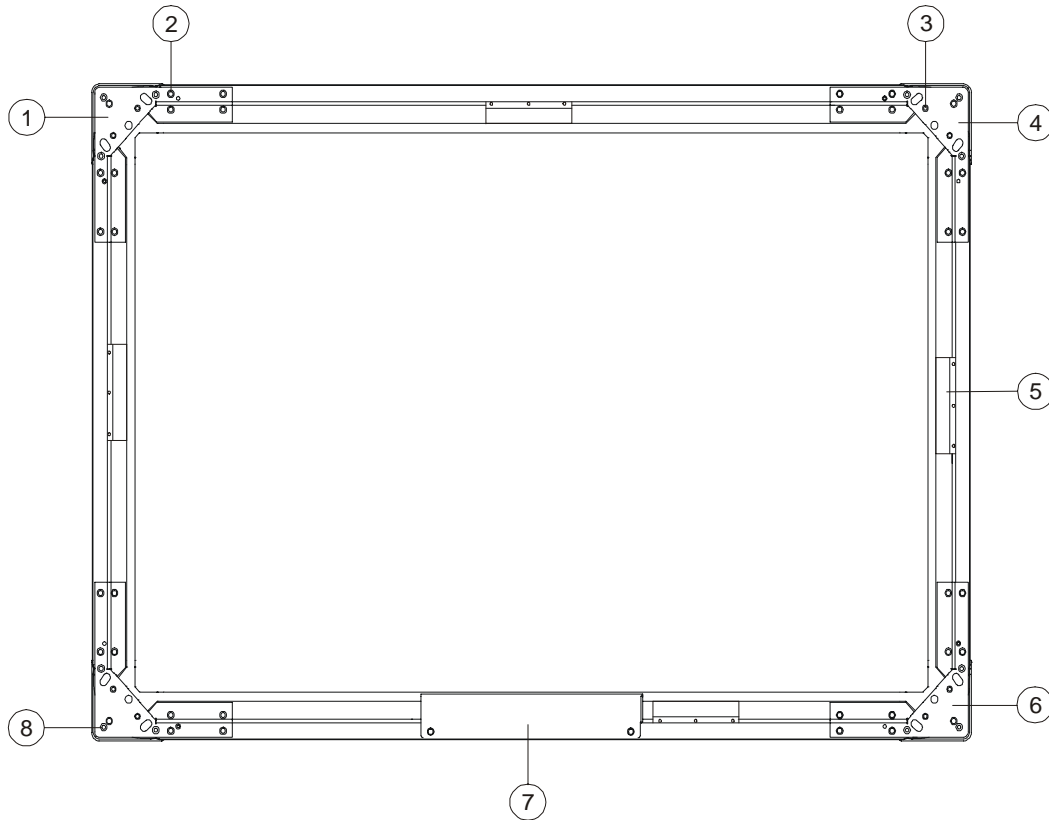
NOTE: Please refer to subsequent diagrams for more information about major components.

Front View of Interactive Whiteboard (Part No. FRU-RB467-xx-x.x)



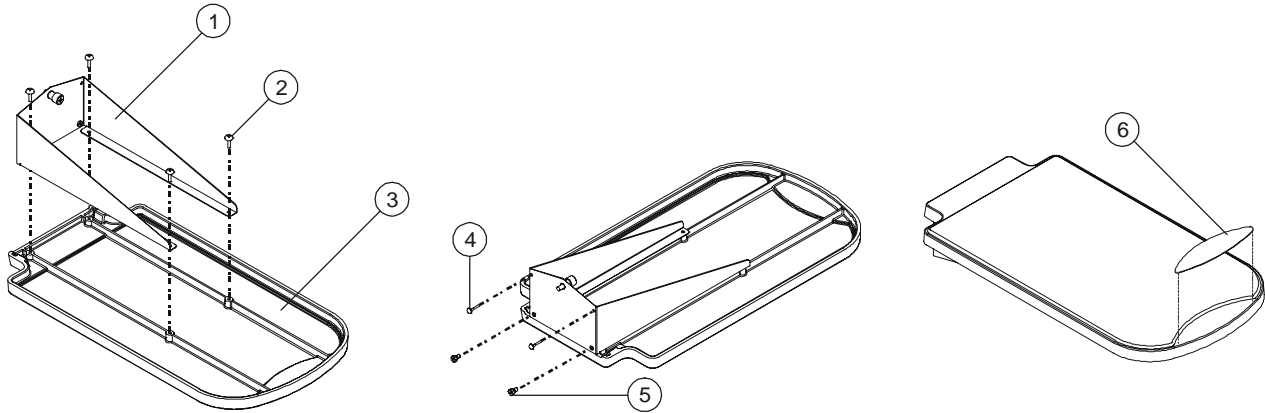
Item	Part No.	Qty	Description
1	FRU-DV-CAMx-y	3	Camera assembly, lower left and upper right and left corners. Call Technical Support for firmware version verification.
2	20-00414-00	2	Bezel, assembly, long side
3	52-00071-01	3	Corner cap, inner, IR transmissive, with camera cutout
4	20-00413-00	2	Bezel, assembly, short side
5	52-00193-00	1	Corner cap, inner, IR transmissive, without camera cutout
6	52-00153-00	4	Corner cap, outer, silver
Not shown	FRU-LED-67	1	LED strips, all four sides
Not shown	FRU-LED-67L	2	LED strip, long side
Not shown	FRU-LED-67S	2	LED strip, short side
Not shown	93-00425-00	1	Cable, MOD8 to MOD8, 3'10 1/2" (1.2 m). Connects the bottom right camera to the hub, viewed from the rear.
Not shown	93-00426-00	1	Cable, MOD8 to MOD8, 4'11" (1.5 m). Connects the top left camera to the hub, viewed from the rear.
Not shown	93-00427-00	1	Cable, MOD8 to MOD8, 7'5" (2.3 m). Connects the top right camera to the hub, viewed from the rear.

Rear View of Interactive Whiteboard (Part No. FRU-RB467-xx-x.x)



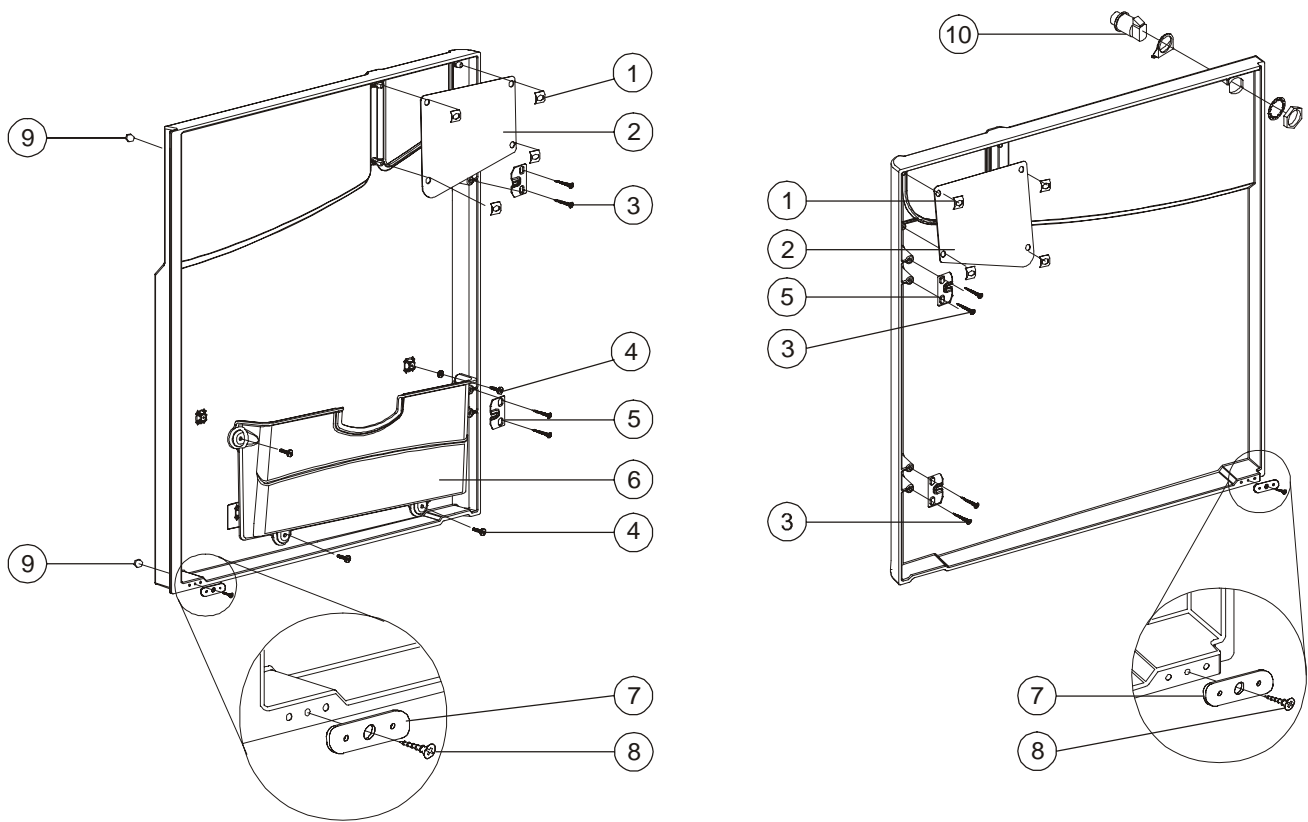
Item	Part No.	Qty	Description
1	51-00119-02	1	Bracket, corner, top left, viewed from the rear
2	30-00653	46	Screw, No. 10-32 × 3/8", square recess, flat head
3	30-00885	8	Screw, No. 8-32 × 3/8", Phillips®, flat, undercut
4	51-00118-02	1	Bracket, corner, top right, viewed from the rear
5	51-00122-01	4	Plate, bezel
6	51-00120-02	2	Bracket, corner, bottom left and right, viewed from the rear
7	FRU-DV-HUB1	1	Hub, assembly
8	30-00719	12	Screw, No. 10 × 3/4", Phillips, flat head, for plastics

Laptop Shelf



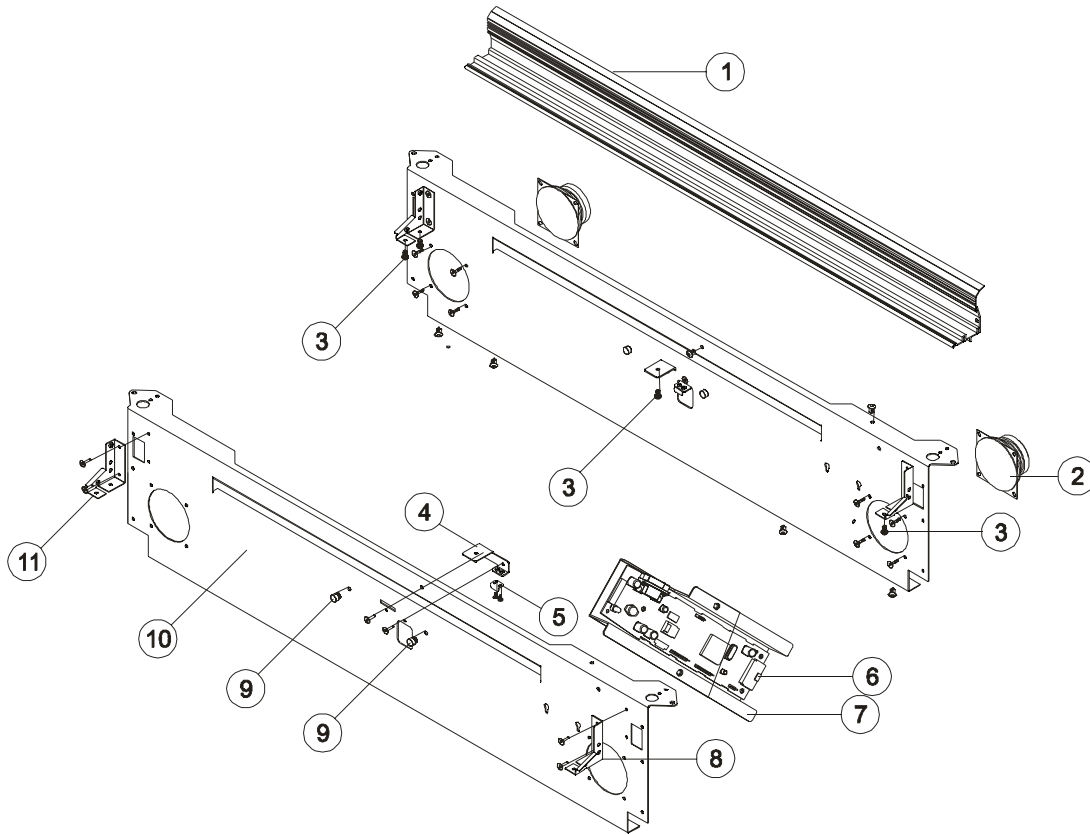
Item	Part No.	Qty	Description
1	SJ67-228-00	1	Bracket, laptop shelf, including captive pem screw
2	30-463	4	Screw, No. 10 × 1/2", high/low thread
3	SJ67-112-02	1	Shelf, laptop
4	30-407	2	Bumper, RB126, rubber
5	30-429	2	Screw, No. 10-32 × 1/2", hex, shoulder
6	43-299-00	1	Label, laptop shelf

Front Doors (Part No. FRU-3000i-FD)
Includes Both Left and Right Doors for Color Matching



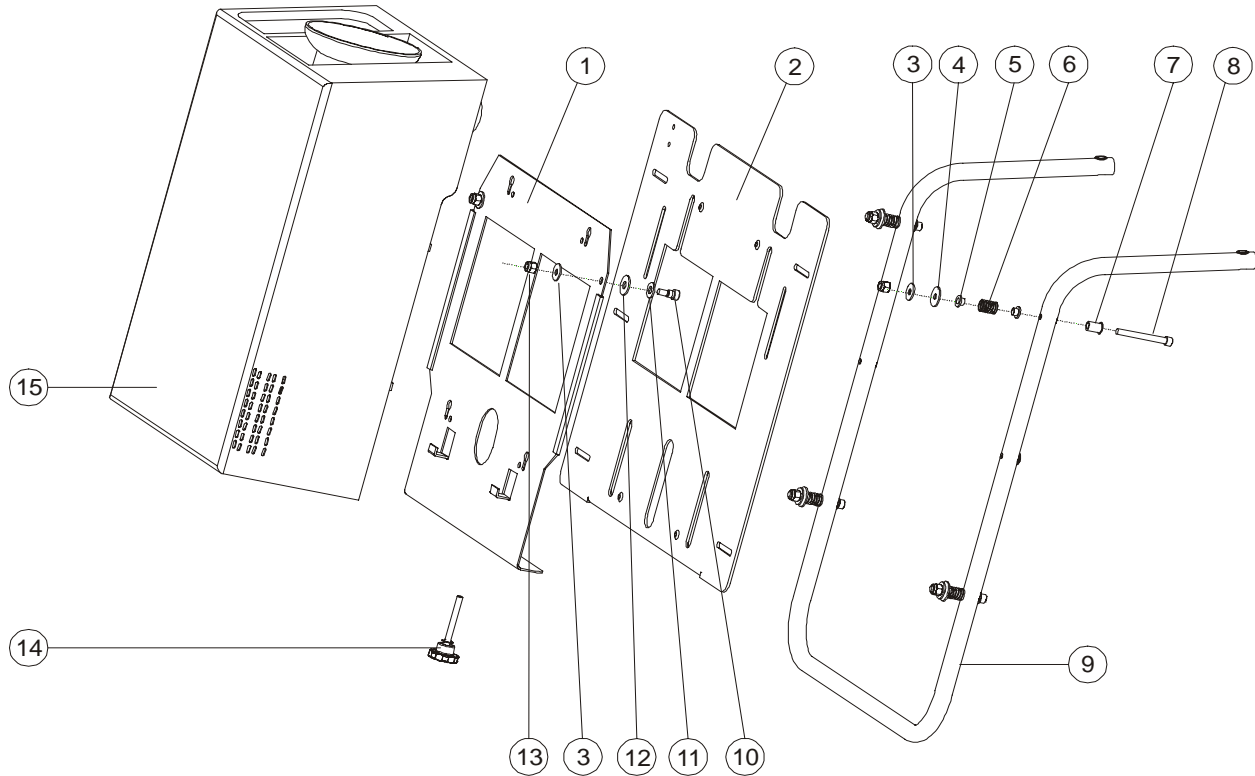
Item	Part No.	Qty	Description
1	30-430	8	Fastener, 10/32" post, push-on
2	51-00245-00	2	Grill, speaker
3	30-464	8	Screw, No. 6 x 1/2", for plastics
4	30-463	4	Screw, No. 10 x 1/2", high/low thread
5	30-268	4	Mounting plate, hinge
6	SJ67-111-00	1	Holder, document
7	30-467	2	Catch, plate, obround
8	30-466	2	Screw, No. 4 x 1/2", Phillips
9	30-468	3	Bumper, rubber, self-adhesive
10	30-272	1	Lock, push, keyed. Uses key CH751.

Speaker Panel



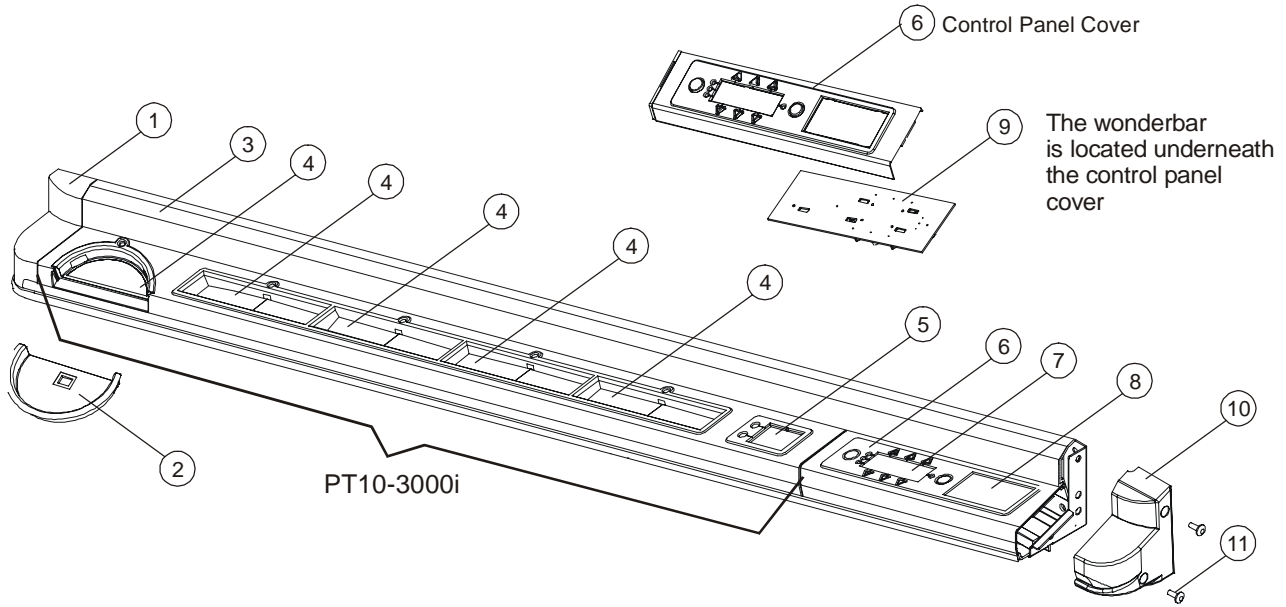
Item	Part No.	Qty	Description
1	SJ67-500-00	1	Extrusion, pen tray
2	03-00066	1	Speaker, 80W, 4" diameter, with grill, pair
3	30-461	5	Screw, No. 10-32 x 3/8", button head, cap
4	SJ67-212-00	1	Bracket, pen tray, center
5	30-035	2	Screw, No. 6-32 x 1/4", pan head, machine
6	FRU-DV-SC8-X	1	Serial controller card. Call Technical Support for firmware version verification.
7	51-00224-01	1	Cover, serial controller card
8	SJ67-211-00	1	Bracket, pen tray, right
9	30-298	2	Bumper, 7/32" x 13/32" diameter, rubber
10	51-00228-01	1	Panel, speaker, bare
11	SJ67-210-00	1	Bracket, pen tray, left

Epson® PowerLite® 9300 Projector and Platform



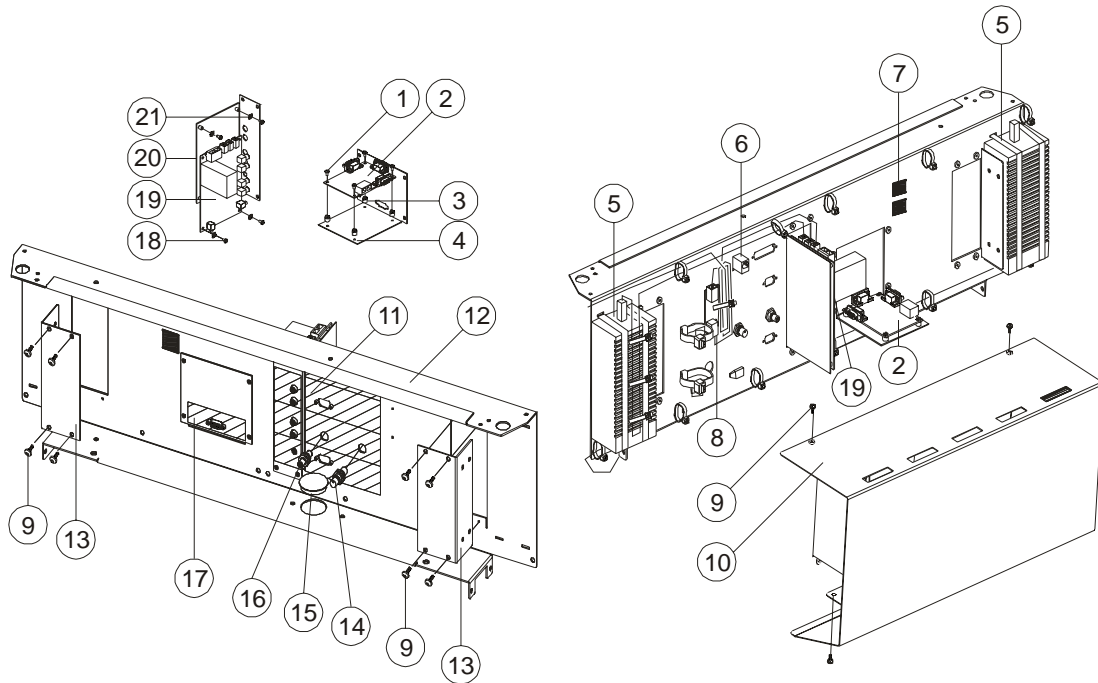
Item	Part No.	Qty	Description
1	51-00422-00	1	Plate, tilt, projector
2	51-00420-00	1	Plate, projector, support
3	30-117	6	Washer, 1/4", flat
4	30-441	8	Washer, 1/4", nylon
5	30-362	8	Washer, 1/4", shoulder, nylon
6	30-434	4	Spring, 1 1/2" x 15/32"
7	30-030	6	Insert, 1/4"-20, A-L series
8	30-00898	5	Screw, 1/4"-20 x 3", hex cap, full thread
9	51-00421-00	1	Tube, projector support
10	30-00897	2	Screw, 1/4"-20 x 5/16" x 5/16", hex socket, shoulder
11	30-447	2	Washer, 5/16" x 3/8" x 7/8"
12	30-493	2	Washer, 5/16", nylon
13	30-116	8	Nut, 1/4"-20, hex, locking, nylon
14	30-545	1	Screw, projector adjustment
15	03-00055	1	Projector, Epson PowerLite 9300

Pen Tray



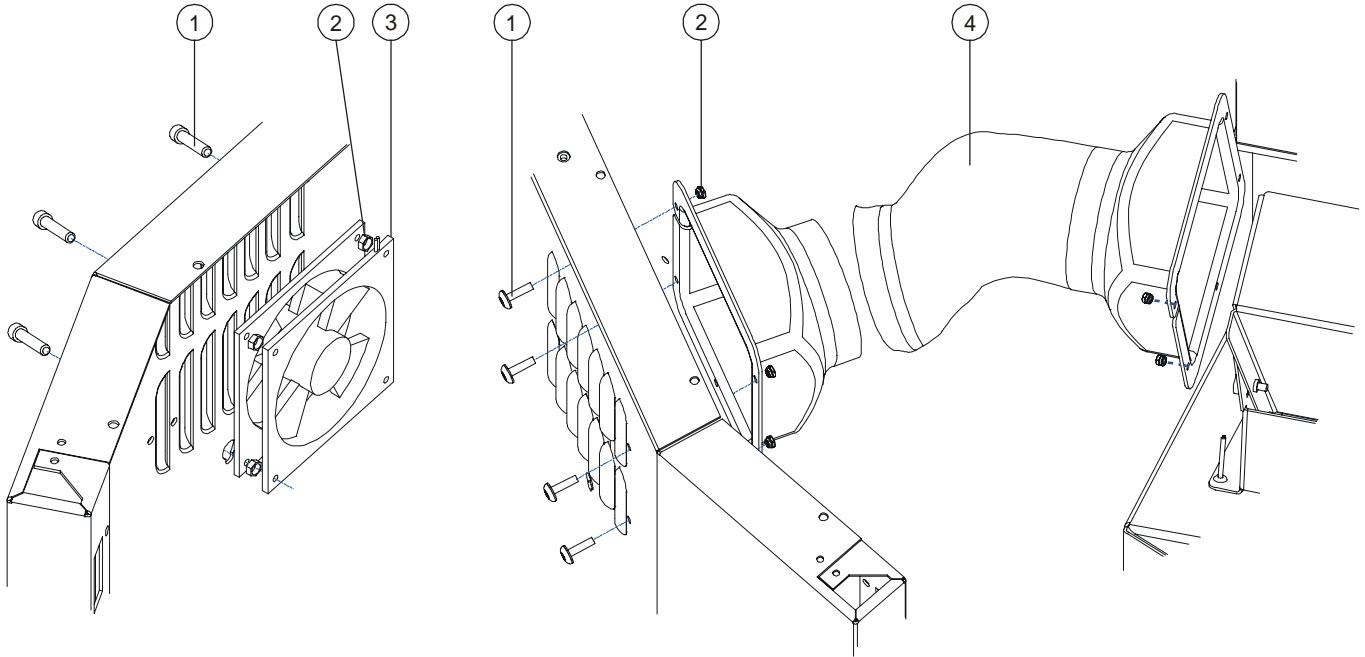
Item	Part No.	Qty	Description
1	SJ67-107-00-01	1	End cap, left, viewed from the front
2	SB572-029-01	1	Eraser cup
3	PT10-3000i	1	Pen tray. Does not include controller or control panel.
4	43-160-00	1	Label, eraser, black, blue, green and red color inserts
5	43-066-01	1	Label, button overlay, projected mode
6	CONTRLP-3000i	1	Cover, control panel
7	43-298-00	1	Label, control panel buttons
8	43-297-00	1	Label, control panel instructions
9	FRU-WBAR-9300	1	Wonderbar. Call Technical Support for firmware version verification.
10	SJ67-108-00-01	1	End cap, right, viewed from the front
11	30-436	7	Screw, No. 8-32 x 3/8", Phillips, pan head

Rear Connection Panel



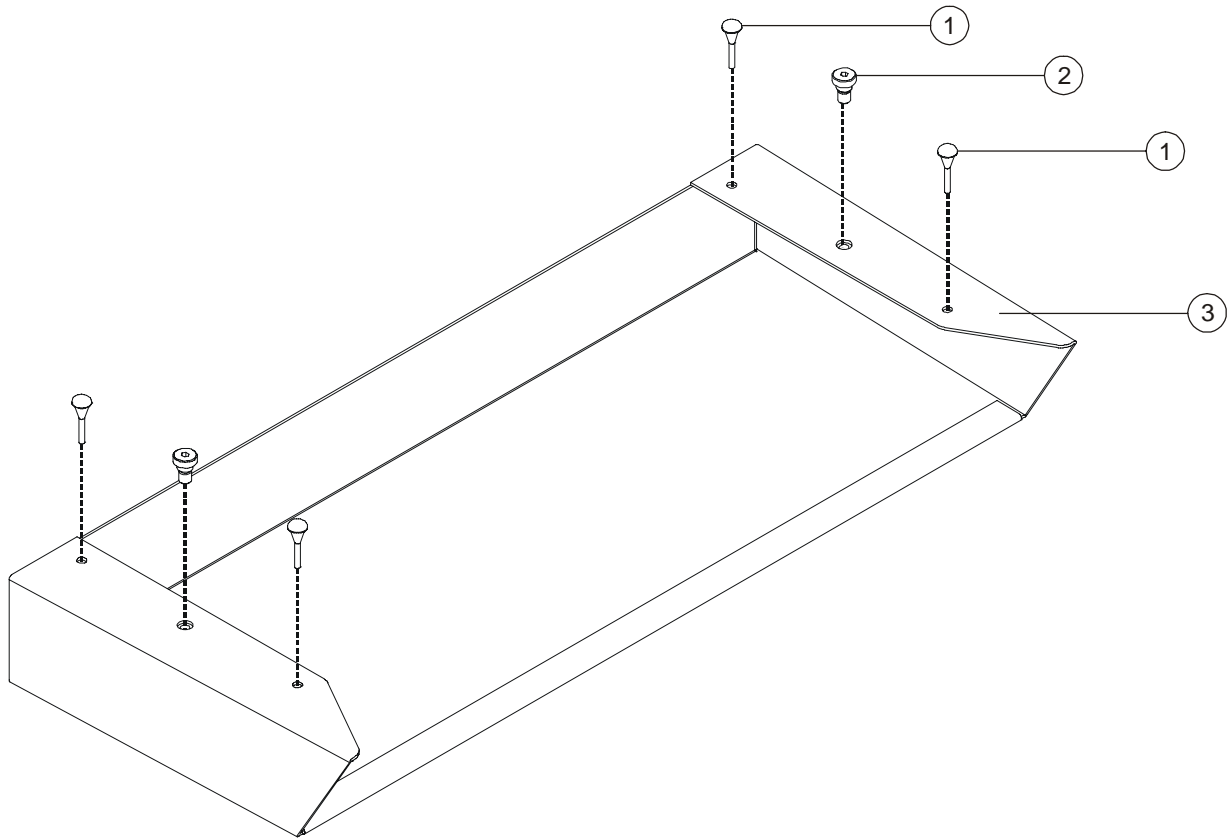
Item	Part No.	Qty	Description
1	30-00664	4	Screw, No. 6-32 x 1/2", combination, pan head, machine
2	FRU-XP20-3000i	1	X-Port™ 20 serial switch
3	30-554	4	Stand off, 1/4", circuit card
4	SJ67-241-00	1	Bracket, X-Port 20 switch
5	60-016	2	Power supply, 12V DC, 4.2A, switch
6	12-00180	1	Coupler, Cat 5e, RJ45, snap-in
7	30-438	1	Strap, hook and loop fastener
8	26-018-00	1	Fan control
9	30-437	20	Screw, No. 10-32 x 1/2", Phillips, pan head
10	51-00222-00	1	Cover, rear connection panel
11	43-467-001	1	Label, X-Port 20 switch and audio amplifier
12	51-00244-00	1	Panel, rear connection, bare
13	SJ67-226-00	2	Panel, blank
14	12-154	1	Connector, S-video female to S-video female, bulkhead
15	30-308	1	Plug, 1 1/2"
16	12-156	1	Connector, video, RCA female to RCA female, bulkhead
17	43-468-00	1	Label, rear connection panel, X-Port 20 switch
18	30-035	6	Screw, No. 6-32 x 1/2", pan head, machine
19	FRU-MIXER-XP20	1	Mixer and audio amplifier
20	SJ67-242-00	1	Bracket, mixer, audio amplifier
21	30-386	6	Washer, No. 6, star, tooth

Fan



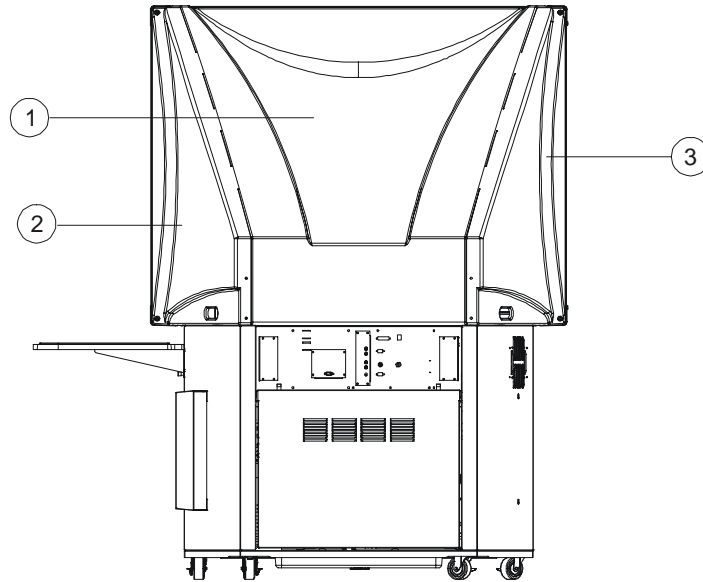
Item	Part No.	Qty	Description
1	30-178	4	Screw, No. 8-32 x 1", button head, socket cap
2	30-079	4	Nut, No. 8-32, thin nylon, locking
3	20-00029-01	1	Fan
4	52-00151-00	1	Duct, exhaust

Keyboard Holder



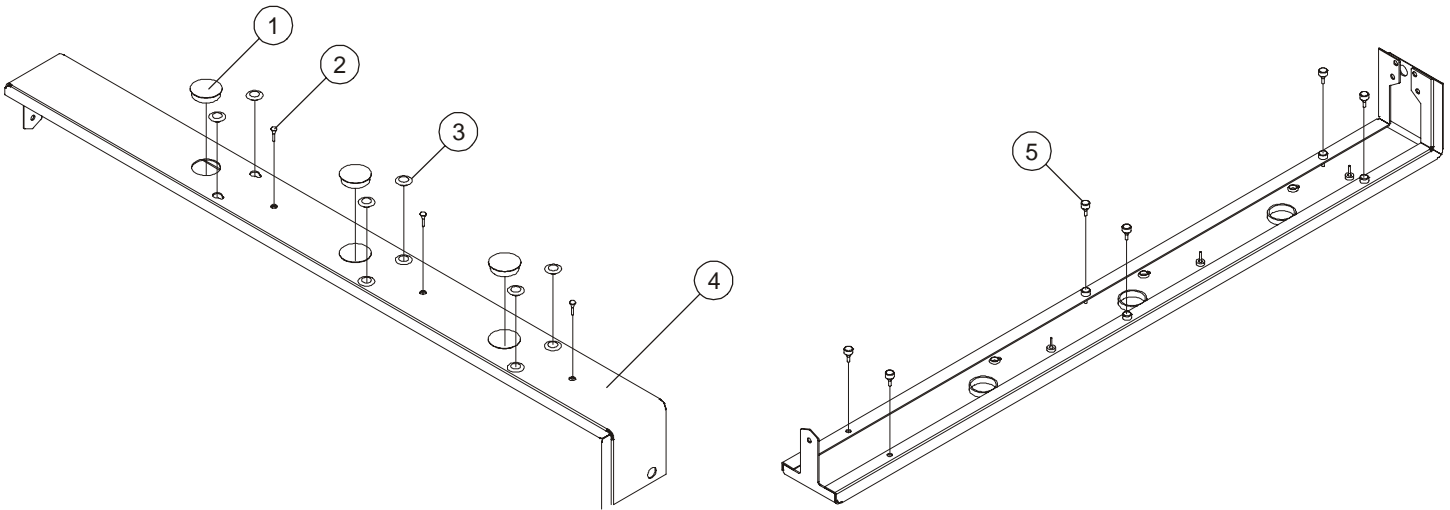
Item	Part No.	Qty	Description
1	30-407	4	Bumper, RB126, rubber
2	30-00711	2	Screw, No. 10-32 x 1/8", socket head, shoulder
3	SJ67-231-00	1	Holder, keyboard

Upper Cabinet Covers



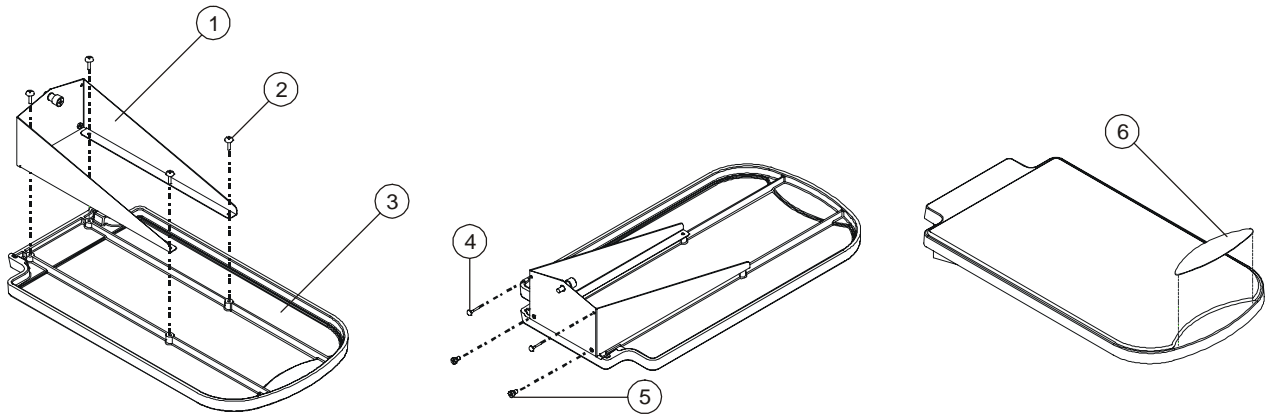
Item	Part No.	Qty	Description
1	SJ67-104-01	1	Cover, top, rear
2	SJ67-103-00	1	Cover, top, right, viewed from the front
3	SJ67-102-00	1	Cover, top, left, viewed from the front
Not shown	30-287	8	Screw, 1/4"-20 x 1/4", hex, button head

Videoconferencing Arm
(Included in Part Numbers 3000i-VC1-00 and 3000i-VC2-00)



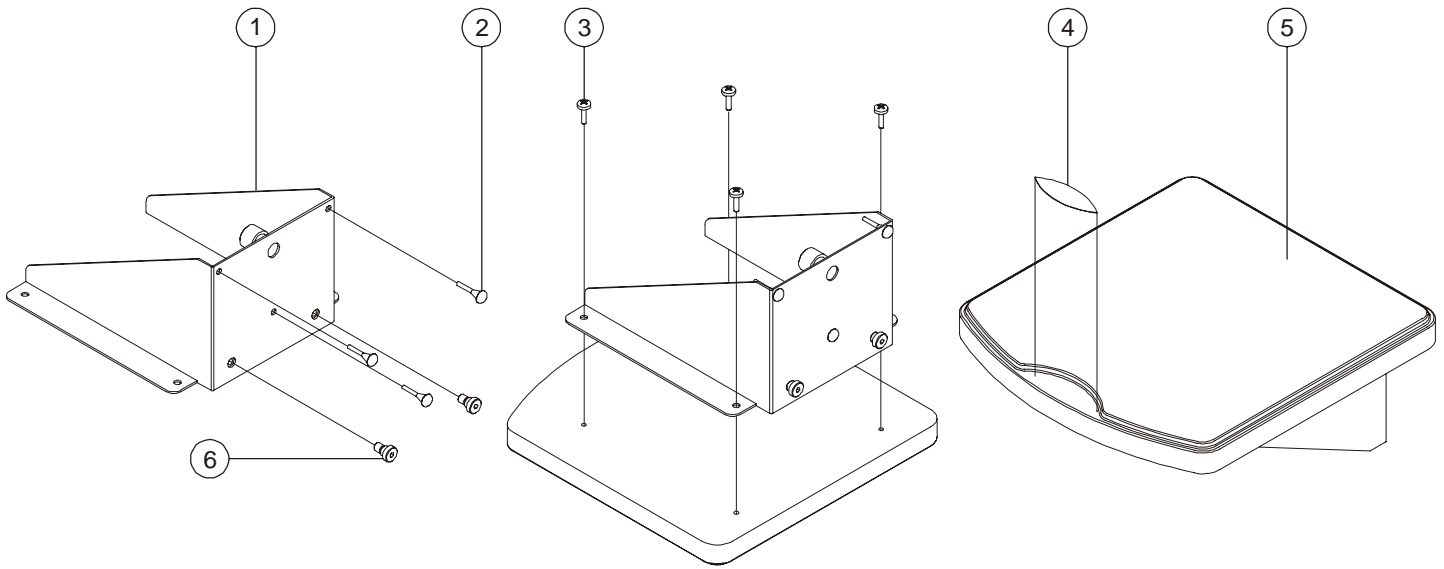
Item	Part No.	Qty	Description
1	30-308	3	Plug, 1 1/2"
2	30-407	3	Plug, RB126, rubber
3	30-431	6	Plug, 1/2", plastic
4	51-0040-00	1	Bracket, videoconference arm
5	30-391	6	Plug, bumper

**Large Videoconference Shelf (Part No. 3000i-VC1-00)
Includes Videoconference Arm**



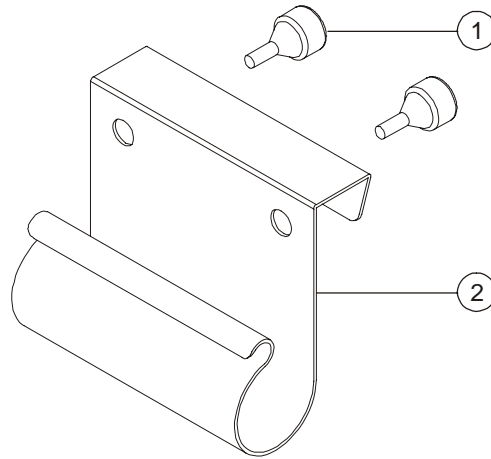
Item	Part No.	Qty	Description
1	51-0041-00	1	Bracket, large videoconference shelf, including captive pem screw
2	30-463	4	Screw, No. 10 x 1/2", high/low thread
3	SJ67-112-02	1	Shelf, large videoconference
4	30-407	2	Bumper, RB126, rubber
5	30-429	2	Screw, No. 10-32 x 1/2", hex, shoulder
6	43-299-00	1	Label, large videoconference shelf

Small Videoconference Shelf (Part No. 3000i-VC2-00)
Includes Videoconference Arm



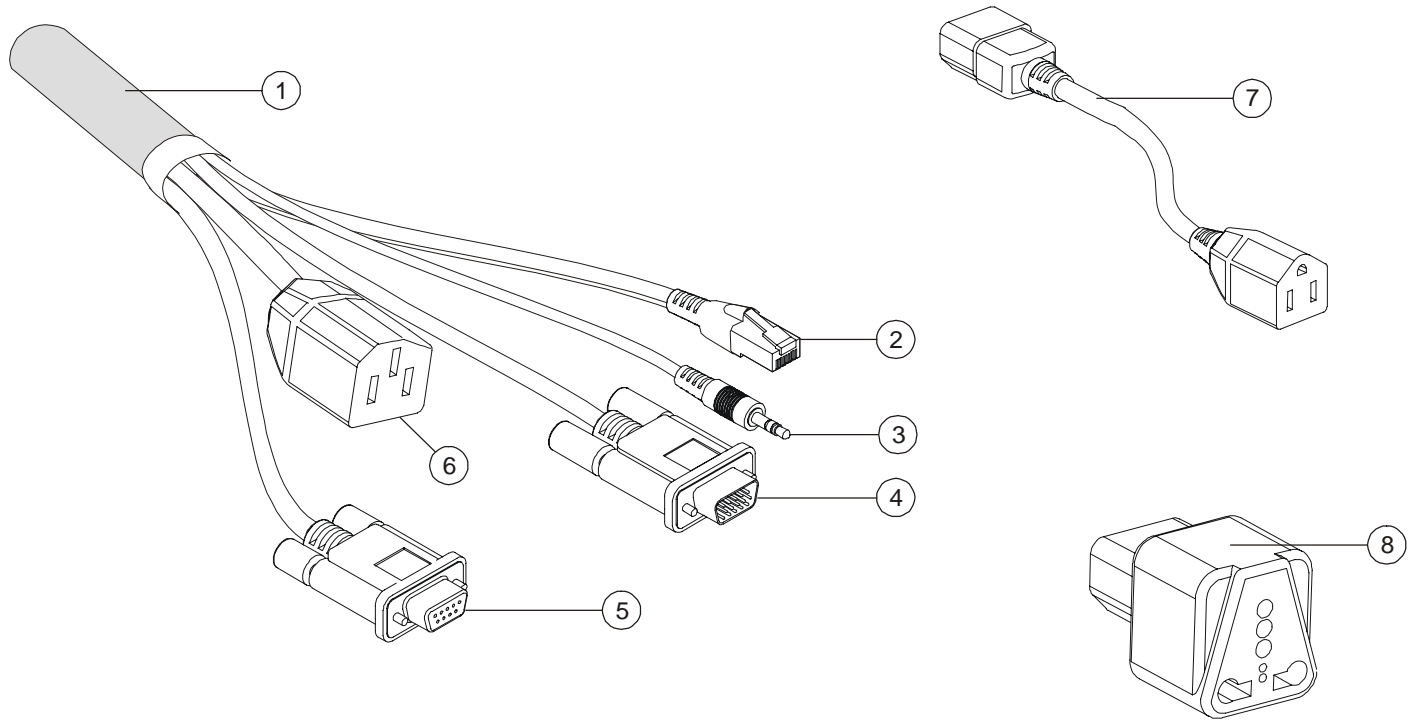
Item	Part No.	Qty	Description
1	51-0039-00	1	Bracket, videoconference shelf, small
2	30-307	3	Bumper, RB126, rubber
3	30-463	4	Screw, No. 10 x 1/2", high/low thread
4	43-040-00	1	Label, small videoconference shelf
5	52-0031-00	1	Shelf, small videoconference
6	30-429	2	Screw, No. 10-32 x 1/2", hex, shoulder

J-Hook (Part No. FRU-JHK-3000i)



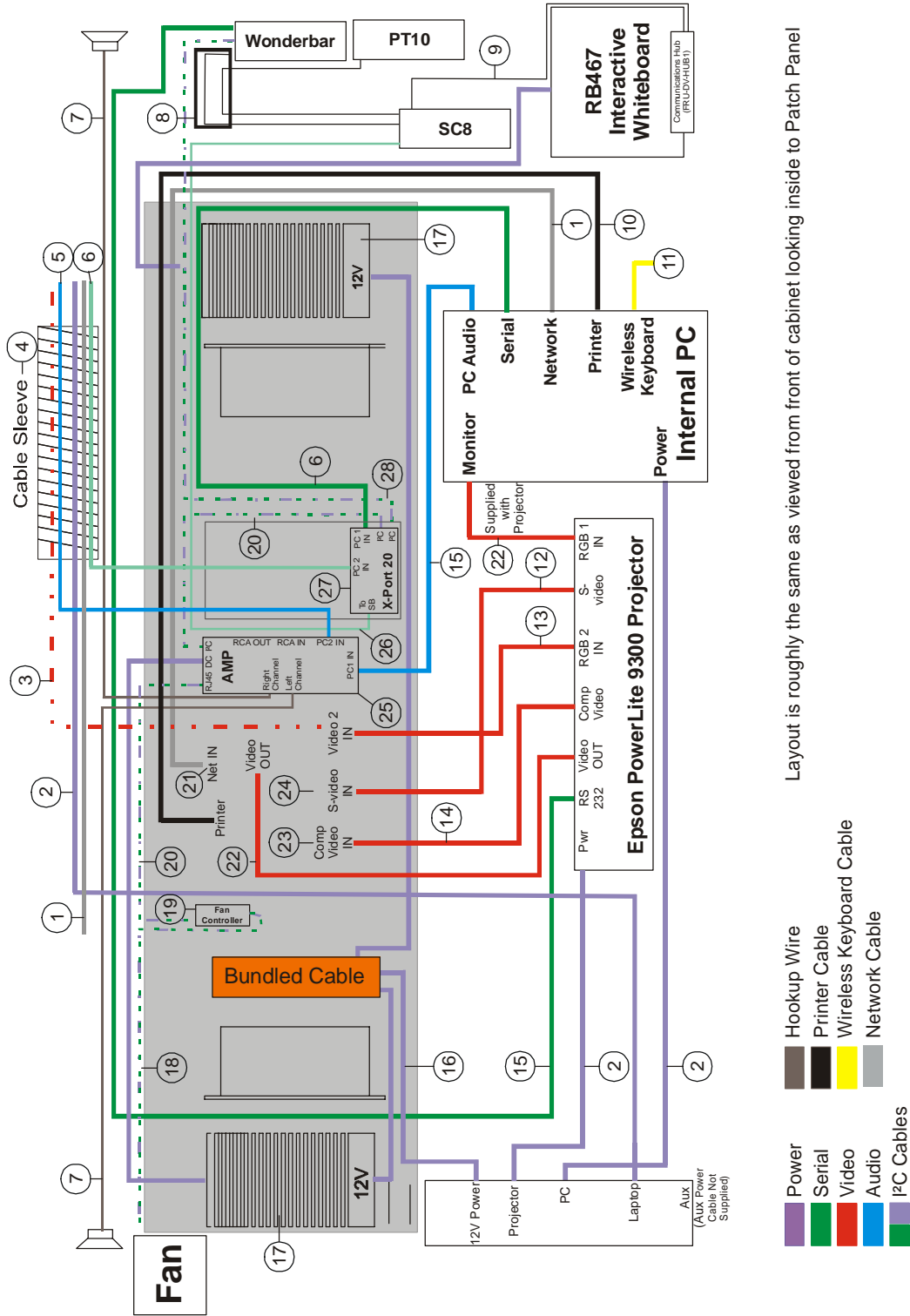
Item	Part No.	Qty	Description
1	30-00752	2	Bumper, rubber
2	51-00042-01	1	J-hook

Guest Laptop Wire Harness (Part No. 200-0024-01)



Item	Part No.	Qty	Description
1	87-00102-00	1	Sleeving, cable, black, hook and loop fastener
2	93-00342-01	1	Cable, network, Cat 5e, RJ45, 6'6" (2.0 m)
3	93-301-00	1	Cable, audio, 3.5 mm male to 3.5 mm male, 6'6" (2.0 m)
4	93-101-00	1	Cable, video, HD15 male to HD15 male, 6' (1.8 m)
5	93-027	1	Cable, serial, DB9 female to DB9 female, 6' (1.8 m)
6	93-097-00	1	Cable, power, IEC male to female, 5' (1.5 m)
7	93-096-00	2	Cable, power, AC, IEC male to NEMA female (North America only)
8	12-124	2	Adapter, plug, IEC male to female (International)

Wiring Diagram



Layout is roughly the same as viewed from front of cabinet looking inside to Patch Panel

Item	Part No.	Qty	Description
1	93-00342-01	2	Cable, network, Cat 5e, RJ45, 6'6" (2.0 m)
2	93-097-00	3	Cable, power, IEC male to IEC female, 5' (1.5 m)
3	93-101-00	1	Cable, video, HD15 male to HD15 male, 6' (1.8 m)
4	87-00102-00'	1	Sleeving, cable, black, hook and loop fastener
5	93-095-00	1	Cable, audio, 3.5 mm male to 3.5 mm male, 6' (1.8 m)
6	93-027	2	Cable, serial, DB9 female to DB9 female, 6' (1.8 m)
7	93-197-00	2	Cable, speaker, common
8	93-00393-01	1	Cable, bundle, 4 pin I ² C and 10 pin ribbon
9	93-00397-00	1	Cable, MOD8 to MOD8, 30" (76.2 cm)
10	93-112-00	1	Cable, printer, DB25 male to DB25 female, 6' (1.8 m)
11	03-00042	1	Keyboard, wireless
12	93-202-00	1	Cable, S-video male to S-video male, 6' (1.8 m)
13	93-00363-00	1	Cable, video, 5 x BNC to HD15 female, 6' (1.8 m)
14	93-104-00	1	Cable, video, RCA male to RCA male, 6' (1.8 m)
15	93-00505-00	1	Cable, serial, DB9 female to DB9 female, 8' (2.4 m)
16	93-00389-00	1	Cable, power supply
17	60-016	2	Power supply, 12V DC, 4.2A, switching
18	93-00198-01	1	Cable, fan to fan, control
19	26-018-00	1	Control board, fan
20	93-199-00	2	Cable, I ² C, MOD6 to MOD6, 2' (61.0 cm)
21	12-00180	1	Coupler, Cat 5e, RJ45, snap-in
22	93-00328-00	2	Cable, video, HD15 male to DHD15 female, 6' (1.8 m)
23	12-156	1	Connector, video, RCA female to RCA female, bulkhead
24	12-154	1	Connector, S-video female to S-video female, bulkhead
25	FRU-MIXER-XP20	1	Mixer and audio amplifier
26	93-304-00	1	Cable, serial, DB9 female to DB9 female, 6' (1.8 m)
27	FRU-XP20-3000i	1	X-Port 20 serial switch
28	93-200-00	1	Cable, I ² C, MOD6 to MOD6 4'6" (1.4 m)

RPSB4000i-DV Accessories

Part No.	Qty	Description
01-00159	1	Lamp, V13H010L26. Standard lamp for the Epson PowerLite 9300.
03-00055	1	Projector, Epson PowerLite 9300 with modified SMART lens. Includes accessories, but does not include mounting plate. Please call Technical Support to discuss repair or replacement options.
03-00042	1	Keyboard, wireless
30-00755	1	Hex key, M3
78-00034	1	Wrench, 7/16"
78-018	1	Hex key, 5/32"
78-020	1	Screwdriver, Phillips, No. 2
99-00582	1	Guide, installation, RPSB4000i-DV
99-00557	1	Guide, SMART Board software
CD-100	1	CD, SMART Board software
ERA-001	1	Eraser, round
SB572-029-01	1	Cup, eraser
STYF-0009-00	1	Whisper-tip™ styluses, black nib. Set of four: black, blue, red and green pens included.
USB-ADP	1	Cable, USB, DB9 male to USB, 2'6" (76.2 cm)
3000i-VC1-00	1*	Shelf, videoconference, large. Includes videoconference arm.
3000i-VC2-00	1*	Shelf, videoconference, small. Includes videoconference arm.

* These are optional accessories for the *Rear Projection SMART Board 4000i-DV* interactive whiteboard. They are not part of the cabinet's standard equipment.