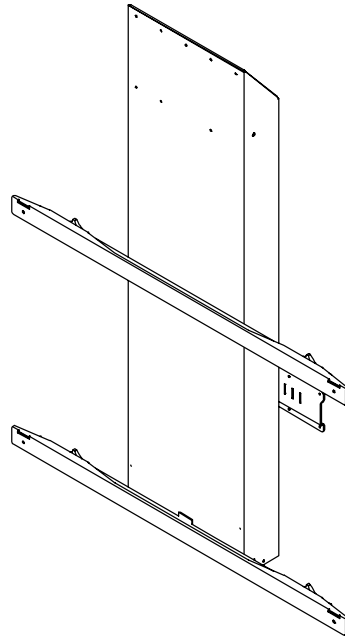


**SMART™**



***Service Parts  
Diagrams***

**For Model:  
HAWM-UX/UF**

## Service Parts Diagrams Revision History

### Revision 1 - October, 2010

- New document

### Revision 2 - January, 2011

- Change 20-01346-20 graphic

### Revision 3 - June, 2011

- Add AK-00112-20

### Standard Warranty Terms

Base product: Two-year limited equipment warranty

First Customer Ship: August, 2010

---

#### SMART Technologies

3636 Research Road NW

Calgary, AB T2L 1Y1

CANADA

Support +1.403.228.5940 or Toll Free 1.866.518.6791 (Canada/U.S.)

Support Fax +1.403.806.1256

ServiceParts@smarttech.com [www.smarttech.com](http://www.smarttech.com)



# Service Parts Diagrams for the HAWM-UX/UF

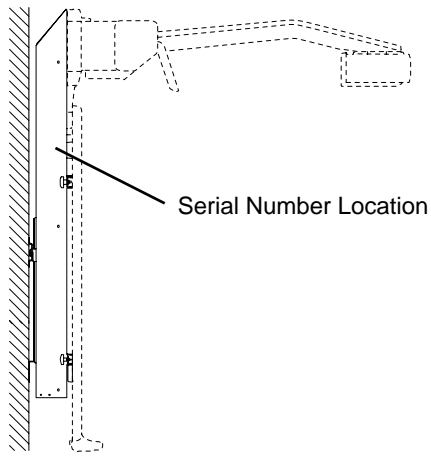
---

Identifying Your Product Using the Serial Number ..... 1  
Ordering Parts ..... 1  
HAWM-UX/UF Parts ..... 2



## Identifying Your Product Using the Serial Number

To make sure that you have the correct service parts diagrams, you must verify the serial number of your HAWM-UX/UF. The serial number is located on the right hand side of the pillar. An example of the serial number format is shown below.



**G012C204A0168**

Unique Serial Number

## Ordering Parts

### Customers

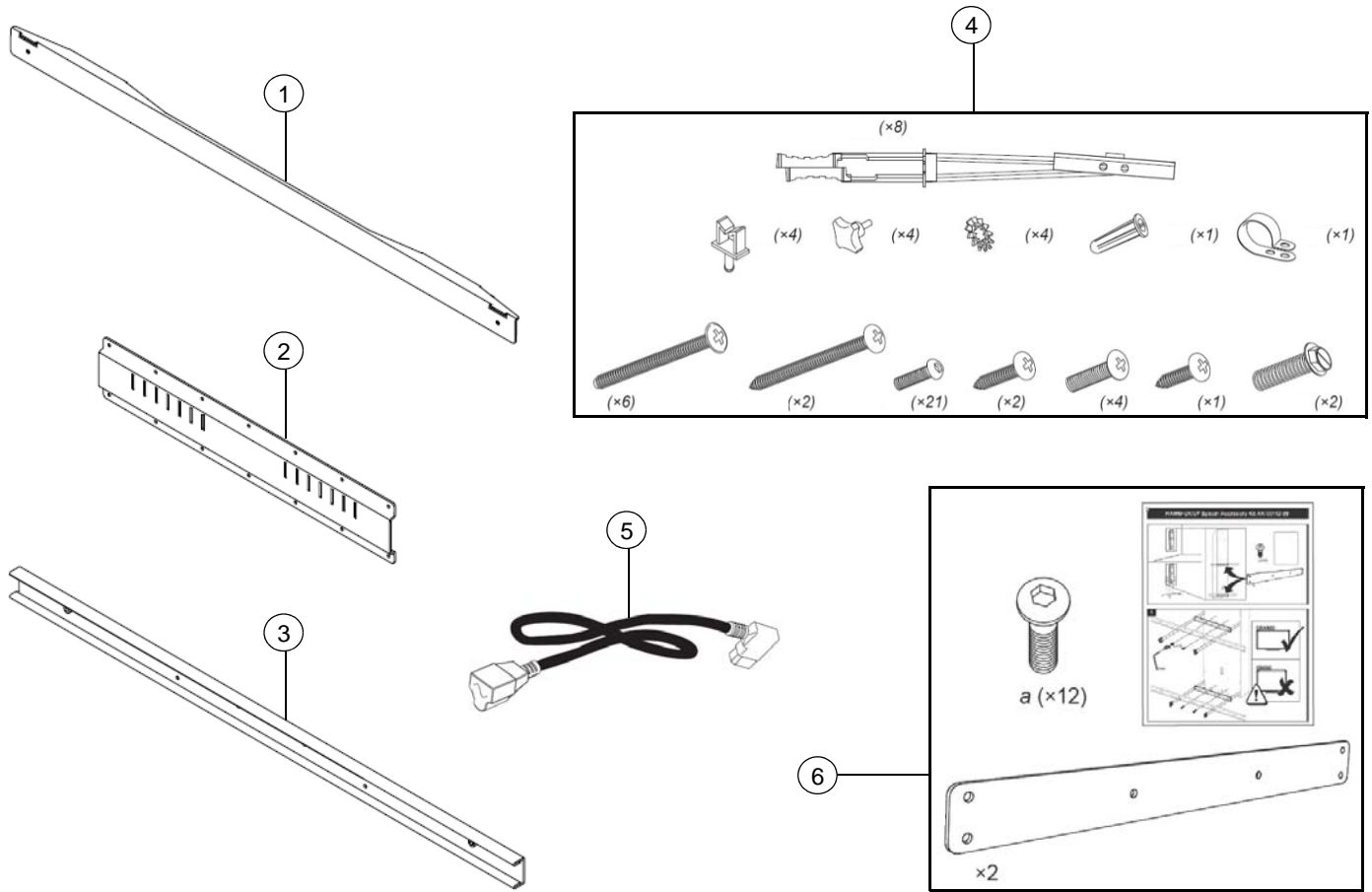
To order any of the parts in these service parts diagrams, contact your local reseller. To find a reseller near you, visit [www.smarttech.com/where](http://www.smarttech.com/where).

### Dealers and Distributors

For specific technical and pricing enquiries in regards to these diagrams please contact our service parts department. Pricing is also available on-line via the SOURCE website ([source.smarttech.com](http://source.smarttech.com)).

E-mail: [serviceparts@smarttech.com](mailto:serviceparts@smarttech.com)  
Phone: 1.888.42.SMART  
International: +1.403.245.0333

# HAWM-UX/UF Parts



Item	Part No.	Qty	Description
1	51-00831-20	2	Bracket, mounting, board
2	51-00829-21	1	Bracket, wall mount
3	51-00830-20	2	Bracket, mounting, pillar
4	20-01346-20	1	Assembly, accessory kit, HAWM-UX/UF, hardware
5	93-00782-20	1	Cable, power, North America, right angle, 8' (2.4 m)
5	93-00783-20	1	Cable, power, United Kingdom, right angle, 8' 2" (2.5 m)
5	93-00784-20	1	Cable, power, Europe, right angle, 8' 2" (2.5 m)
5	93-00785-20	1	Cable, power, Australia, right angle, 8' 2" (2.5 m)
5	93-00786-20	1	Cable, power, Japan, right angle, 8' 2" (2.5 m)
5	93-00787-20	1	Cable, power, China, right angle, 8' 2" (2.5 m)
5	93-00788-20	1	Cable, power, Korea, right angle, 8' 2" (2.5 m)
6	AK-00112-20	1	Accessory kit, SB800 spacer