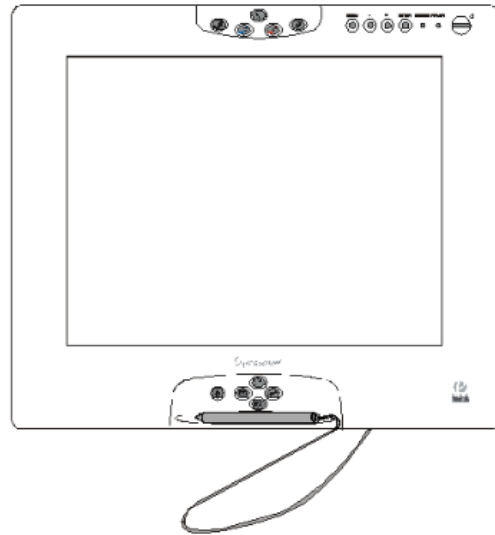


# Symposium™



## ***Service Parts Diagrams***

**For Model:  
SSID250**

# Service Parts Diagrams Revision History

## Revision 1 - August, 2004

- New document

## Revision 2 - December, 2005

- Change descriptions to match Service Parts Price List descriptions

## Revision 3 - October, 2006

- Change power supply cable part numbers. For details, refer to Parts Diagram Change Request PD-00039

## Revision 4 - January, 2007

- Change power supply part number from 60-00025 to 60-00037-20

## Revision 5 - June, 2007

- Change 93-00456-00 to 93-00456-20
- Change 93-00457-00 to 93-00457-20
- Change 45-00008-00 to 45-00008-20

## Revision 6 - February, 2009

- Change 30-00873 to 30-01024
- Change 93-053 to 93-00654-20

## Revision 7 - July, 2009

- Change amperage rating for 60-00037-20 from 3.3A to 4.16A

## Revision 8 - January, 2010

- Add reference to ID422w and WS200

## Revision 9 - October, 2010

- Change 60-00037-20 to 60-00036

## Revision 10 - September, 2012

- Change 45-00008-20 to 52-00641-20

## Standard Warranty Terms

Base product: Two-year limited equipment warranty

First Customer Ship: February, 2004

---

### SMART Technologies

3636 Research Road NW  
Calgary, AB T2L 1Y1  
CANADA

Support +1.403.228.5940 or Toll Free 1.866.518.6791 (Canada/U.S.)

Support Fax +1.403.806.1256

[www.smarttech.com/contactserviceparts](http://www.smarttech.com/contactserviceparts) [www.smarttech.com](http://www.smarttech.com)



# Service Parts Diagrams for the Sympodium SSID250 Interactive Pen Display

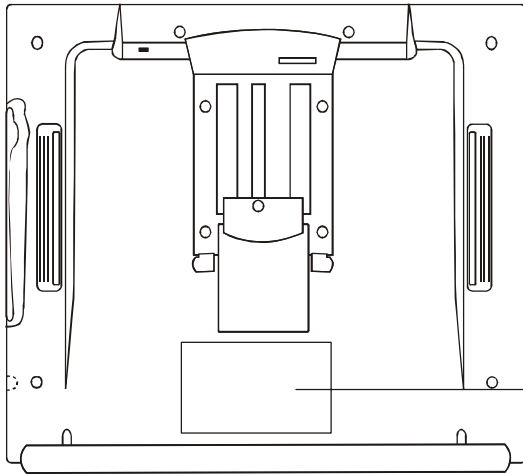
---

Identifying Your Product Using the Serial Number ..... 1  
Ordering Parts ..... 1  
SSID250 Parts ..... 2



## Identifying Your Product Using the Serial Number

To make sure that you have the correct service parts diagrams, you must verify the serial number of your Sympodium interactive pen display. For model SSID250, the serial number is located on the back of the display, near the bottom, in the middle. An example of the serial number format is shown below.



**3KFP00567**

Serial Number Example

Serial Number Location

## Ordering Parts

### Customers

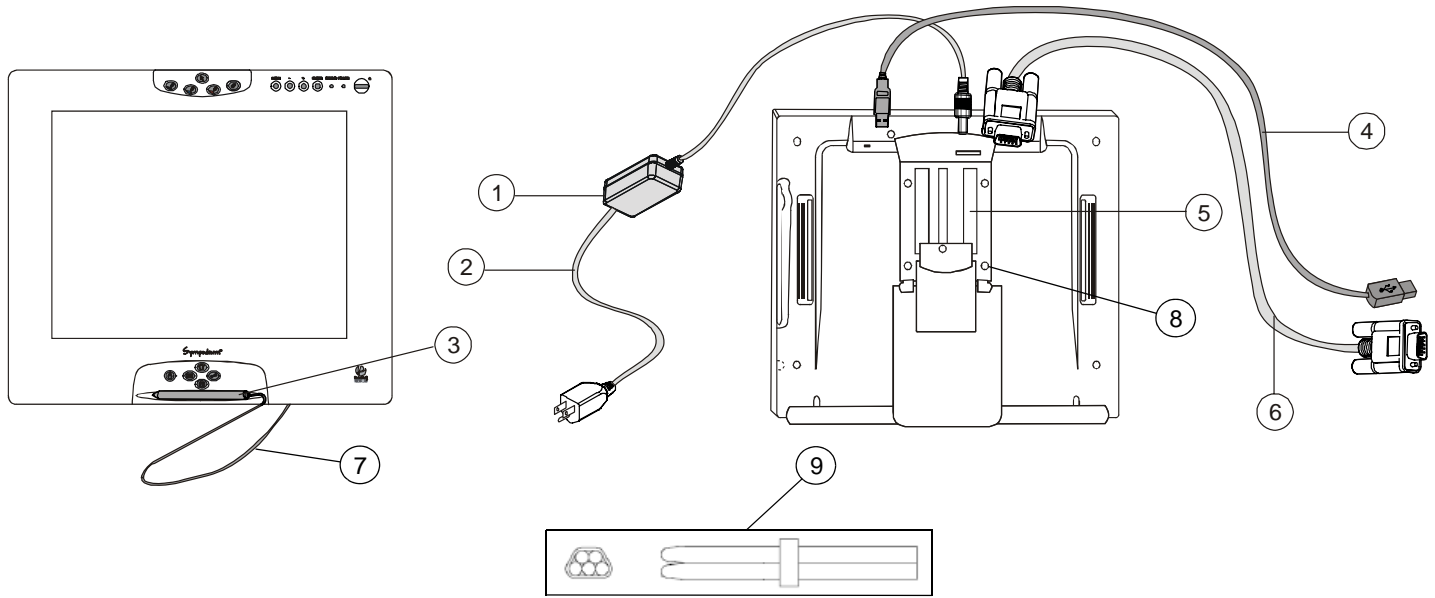
To order any of the parts in these service parts diagrams, contact your local reseller. To find a reseller near you, visit [www.smarttech.com/where](http://www.smarttech.com/where).

### Dealers and Distributors

For specific technical and pricing enquiries in regards to these diagrams please contact our service parts department. Pricing is also available on-line via the SOURCE website ([source.smarttech.com](http://source.smarttech.com)).

Web Form: [www.smarttech.com/contactserviceparts](http://www.smarttech.com/contactserviceparts)  
Phone: 1.888.42.SMART  
International: +1.403.245.0333

## SSID250 Parts



Item	Part No.	Qty	Description
1	60-00036	1	Power supply, 12V DC, 5.0A, universal switching
2	93-051	1	Cable, power, North America, 8' (2.4 m)
2	93-055	1	Cable, power, United Kingdom, 8' (2.4 m)
2	93-00654-20	1	Cable, power, Japan, 8' (2.4 m)
2	93-056	1	Cable, power, Australia, 8' (2.4 m)
2	93-063	1	Cable, power, South Africa, 8' (2.4 m)
2	93-054	1	Cable, power, Europe, 8' (2.4 m)
3	45-00007-20	1	Pen, SSID250, SSID350 and SSID370 <b>NOTE:</b> Includes set of five replacement pen tips.
4	93-00456-20	1	Cable, USB, A-B, 6' (1.8 m)
5	30-01024	1	Stand, tilt, SSID250, SSID350 and SSID370 <b>NOTE:</b> Comes attached to the SSID250.
6	93-00457-20	1	Cable, video, HD15 male to HD15 male, 6' (1.8 m)
7	01-00149	1	Tether, pen, SSID250, SSID350, SSID370, ID422w, WS100 and WS200
8	30-00712	4	Screw, M3 x 8 mm, Phillips, pan head <b>NOTE:</b> For attaching tilt stand. Comes attached to the SSID250.
9	52-00641-20	1	Tip, pen, SSID250, SSID350, SSID370, ID422w, WS100 and WS200, set of five
Not shown	SYM-ID250PK	1	Pen, kit, SSID250, SSID350 and SSID370 <b>NOTE:</b> Includes items 3 and 7. <b>Refer to product price list.</b>