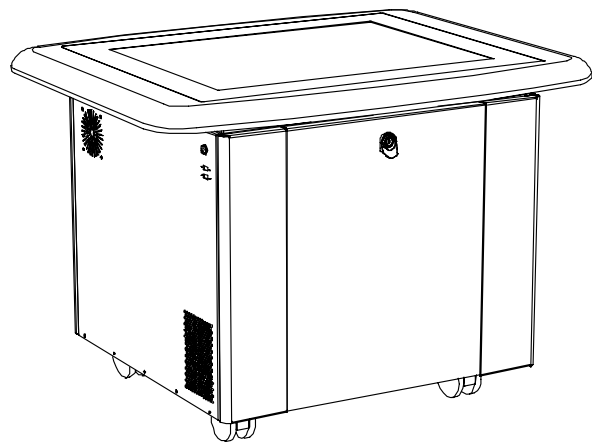


SMART™



Service Parts Diagrams

For Model:

ST230i

**For serial number format
beginning with "ST230I"
only**

Service Parts Diagrams Revision History

Revision 1 - March, 2010

- New document

Revision 2 - May, 2011

- Add FRU-TABLETOP-ST230I, 93-154-00 and FRU-CAM-TABLE
- Remove 20-01113-21, 30-01282-20 and 93-00715-20

Revision 3 - December, 2011

- Change 03-00171-20 to 03-00171-21
- Change 20-01108-20 to 20-01108-21
- Remove 30-01268-20
- Add 30-01455-20 and 30-01456-20

Revision 4 - April, 2012

- Add reference to the SMART Table version without a UPS
- Add 1017376, 1017612, 1017613, 1017614 and 1017776
- Remove 93-051

Standard Warranty Terms

Base product: Two-year limited equipment warranty

First Customer Ship: November, 2009

SMART Technologies

3636 Research Road NW
Calgary, AB T2L 1Y1
CANADA

Support +1.403.228.5940 or Toll Free 1.866.518.6791 (Canada/U.S.)

Support Fax +1.403.806.1256

www.smarttech.com/contactserviceparts www.smarttech.com

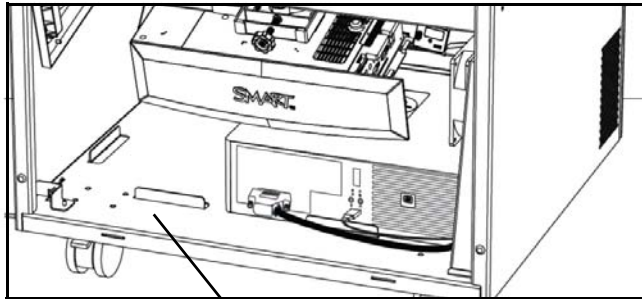


Service Parts Diagrams for the SMART Table ST230i

- Identifying Your Product Using the Serial Number 1
- Ordering Parts 1
- Overview 2
- View With Doors 3
- View Without Doors 4
- Assembly, UPS, 110V (Part No. 20-01176-20) 5
- Assembly, UPS, 220V (Part No. 20-01177-20) 6
- Running Diagram ST230i 7

Identifying Your Product Using the Serial Number

To make sure that you have the correct service parts diagrams, you must verify the serial number of your SMART Table. Remove the SMART Table door opposite the power button. The serial number will be located inside the table on the same side as the projector. An example of the serial number format is shown below.



Serial Number Location

Product Model Number

Unique Serial Number

ST230i-R2/M2-xxxxxx

Ordering Parts

Customers

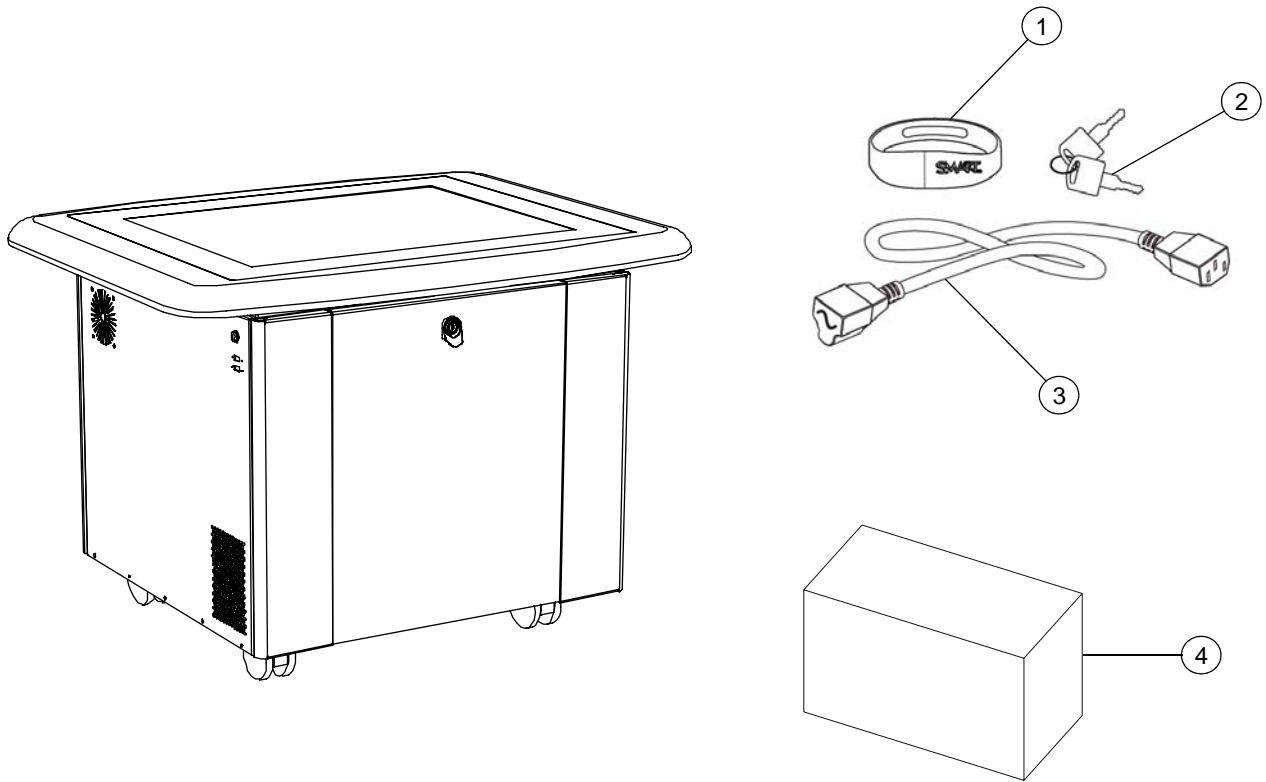
To order any of the parts in these service parts diagrams, contact your local reseller. To find a reseller near you, visit www.smarttech.com/where.

Dealers and Distributors

For specific technical and pricing enquiries in regards to these diagrams please contact our service parts department. Pricing is also available on-line via the SOURCE website (source.smarttech.com).

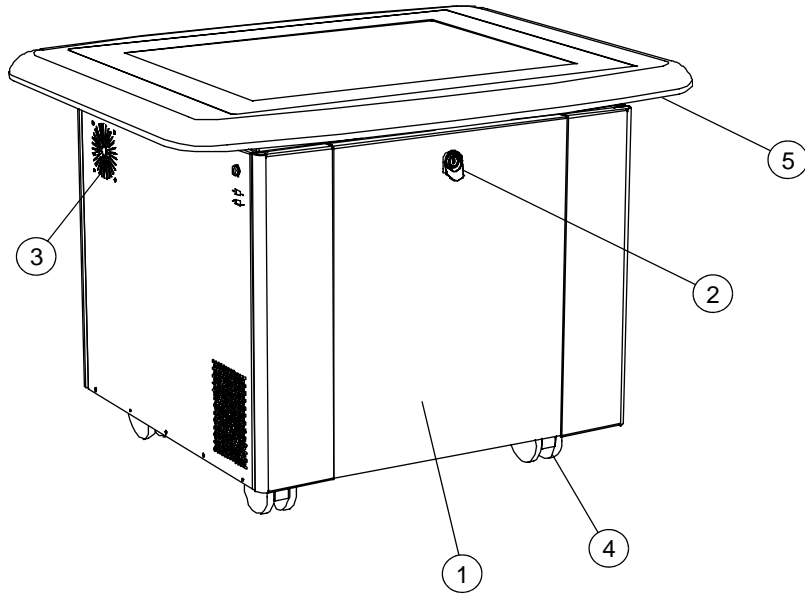
Web Form: www.smarttech.com/contactserviceparts
Phone: 1.888.42.SMART
International: +1.403.245.0333

Overview



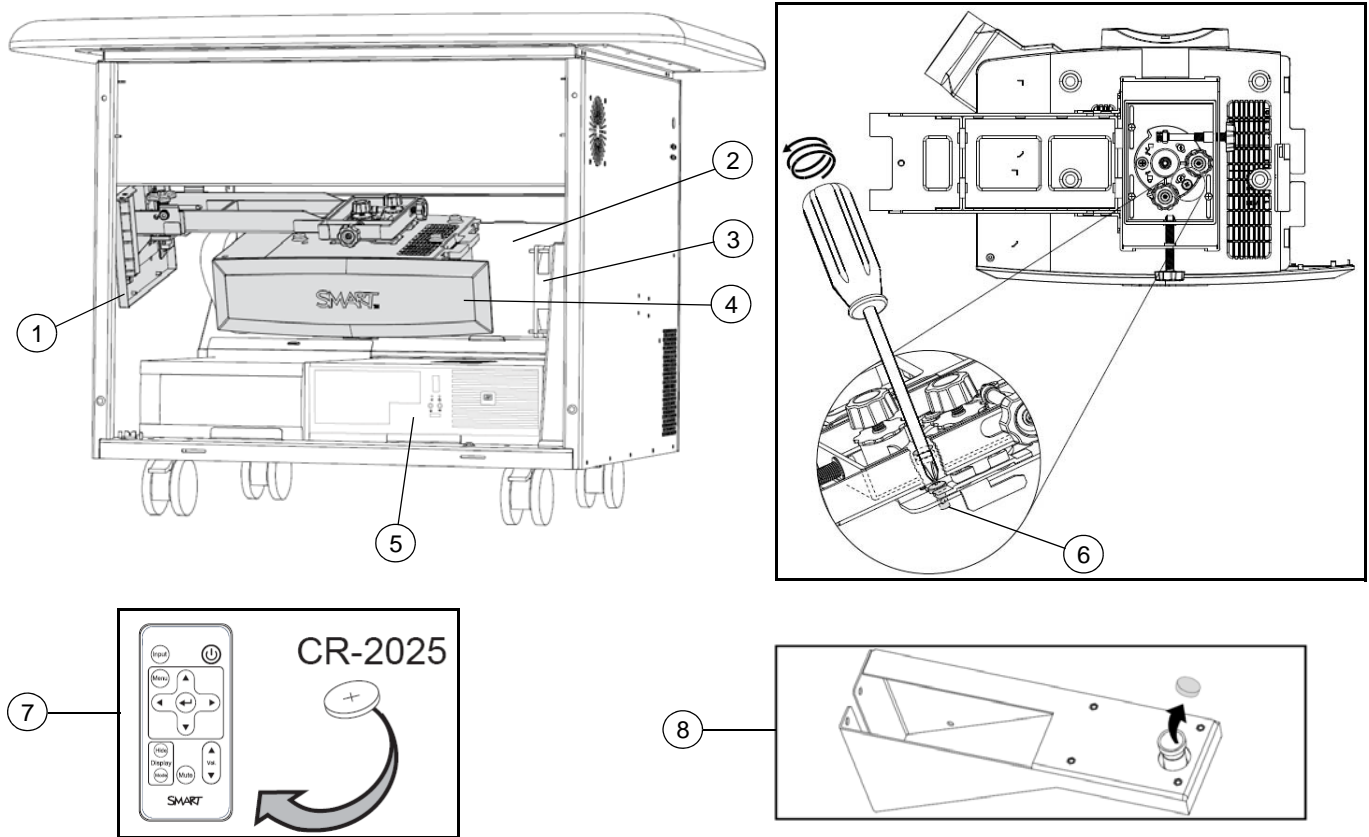
Item	Part No.	Qty	Description
1	03-00171-21	1	USB bracelet, 4GB, ST230i
2	30-01455-20	1	Key, door, set of two
3	1017376	1	Cable, power, North America, right angle, 8' (2.4 m)
3	93-055	1	Cable, power, United Kingdom, 8' (2.4 m)
3	93-056	1	Cable, power, Australia, 8' (2.4 m)
3	93-063	1	Cable, power, South Africa, 8' (2.4 m)
3	93-054	1	Cable, power, Europe, 8' (2.4 m)
4	20-01176-20	1	Assembly, UPS, 110V NOTE: The UPS is not included with SMART Tables that have a serial number of ST230-M2-002000 or higher.
4	20-01177-20	1	Assembly, UPS, 220V NOTE: The UPS is not included with SMART Tables that have a serial number of ST230-M2-002000 or higher.

View With Doors



Item	Part No.	Qty	Description
1	51-00783-20	2	Door
2	30-01456-20	2	Lock (keys not included)
	30-01277-20	2	Lock, latch
	30-01278-20	2	Lock, pull tab
3	03-00160-20	1	Speakers
4	10-00025-20	4	Castor
5	FRU-TABLETOP-ST230I	1	FRU, tabletop, ST230i (not compatible with CSG table serial numbers)
Not shown	20-01032-20	1	Replacement Lamp for UF55, UF55w, UF65, UF65w and ST230i Projectors

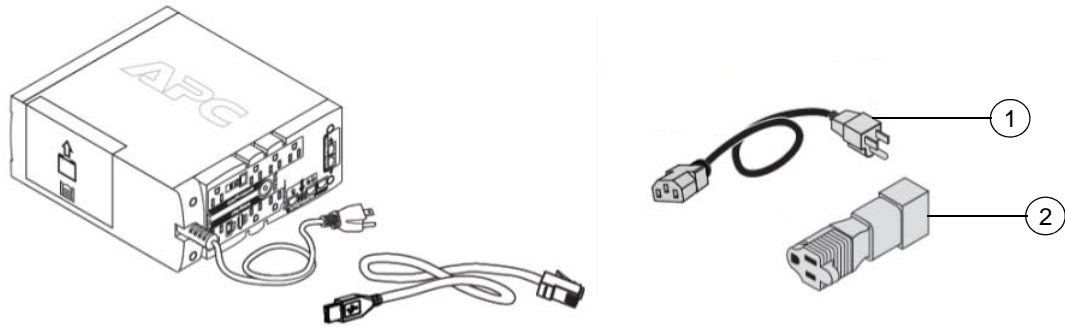
View Without Doors



Item	Part No.	Qty	Description
1	20-01186-20	1	Assembly, projector mount
2	53-00062-20	1	Mirror
	21-00097-20	2	Tape, double sided
3	30-01274-20	1	Fan, 120 mm
4	20-01108-21	1	Assembly, SBP-15X Projector for ST230i
5	1017612	1	Assembly, computer, exchange, HP5800
5	1017613	1	Assembly, computer, exchange, HP6000
5	1017614	1	Assembly, computer, exchange, HP6005
5	1017776	1	Assembly, computer, exchange, HP6005, no UPS NOTE: Only for SMART Tables without the uninterruptible power supply which will have a serial number of ST230i-M2-002000 or higher.
6	30-01290-20	1	Screw, M5 x 10 mm, pelatized, Phillips, pan head NOTE: For attaching the projector to the projector mount.
7	03-00131-20	1	Remote control NOTE: Battery not included with replacement remotes.
8	FRU-CAM-TABLE	1	FRU, camera, SMART Table

Assembly, UPS, 110V (Part No. 20-01176-20)

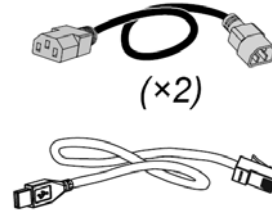
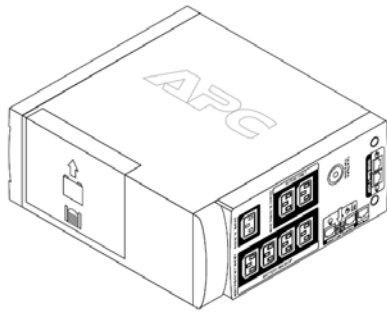
NOTE: The UPS is not included with SMART Tables that have a serial number of ST230-M2-002000 or higher.



Item	Part No.	Qty	Description
1	93-051	2	Cable, power, North America, 8' (2.4 m)
2	93-154-00	1	Adapter, power, IEC male to NEMA female

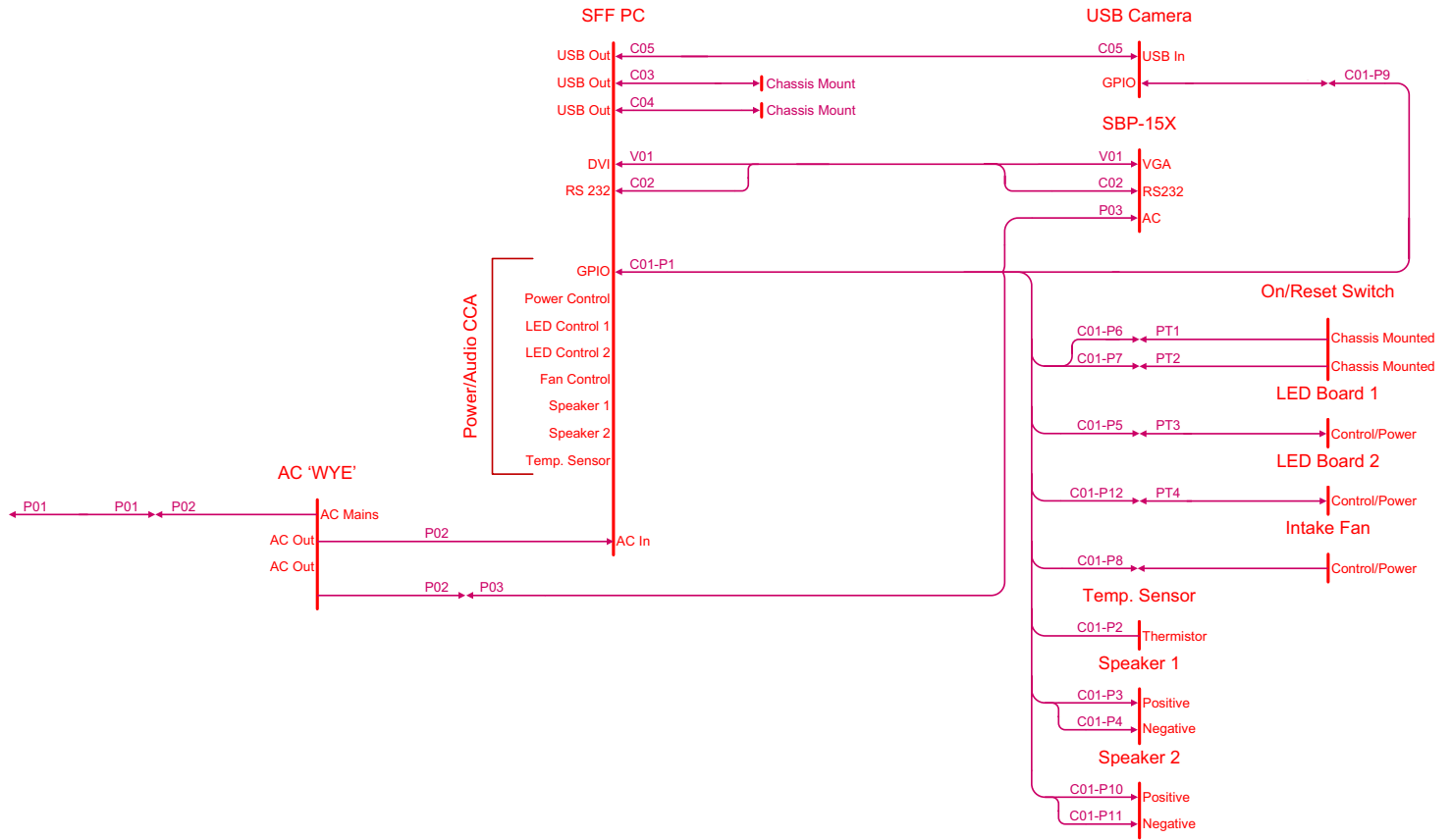
Assembly, UPS, 220V (Part No. 20-01177-20)

NOTE: The UPS is not included with SMART Tables that have a serial number of ST230-M2-002000 or higher.



NOTE: Components not available separately.

Running Diagram ST230i



Cable	From	To	Description	Length	SMART Part No.
Video					
V01	Computer	Projector	DVI Male to VGA Male	3' (91.5 cm)	93-00723-20
Control					
C01	Computer	Multiple	Master Control Cable with Audio	6'7" (2 m)	93-00724-20
C02	Computer	Projector	DB9 Female to DB9 Male	3' (91.5 cm)	93-00721-20
C03	Computer	Chassis Mount	USB A Male to USB A Female Chassis Mount	3' (91.5 cm)	93-00725-20
C04	Computer	Chassis Mount	USB A Male to USB A Female Chassis Mount	3' (91.5 cm)	93-00725-20
C05	Computer	Camera	USB A Male to USB Mini B Male	3' (91.5 cm)	93-00726-20
Power					
P01	Country Specific Power Cable	P02	Left Angled IEC C14 to IEC C13	3' (91.5 cm)	93-00734-20
P02	P01	P03/Computer	IEC C14 to 2 x IEC C13 'Wye' Cable	2' (61 cm)	93-00735-20
P03	P02	Projector	IEC C13 to IEC C14	3'3" (1 m)	93-00736-20
Chassis Cable and Pigtails					
PT1	C01-P6	On/Reset Switch	Power Switch Pigtail with Switch	3" (7.5 cm)	93-00716-20
PT2	C01-P7	On/Reset Switch	Power Switch Pigtail with Switch	3" (7.5 cm)	93-00716-20
PT3	C01-P5	LED Board 1	LED Pigtail	4" (10 cm)	93-00714-20
PT4	C01-P12	LED Board 2	LED Pigtail	4" (10 cm)	93-00714-20