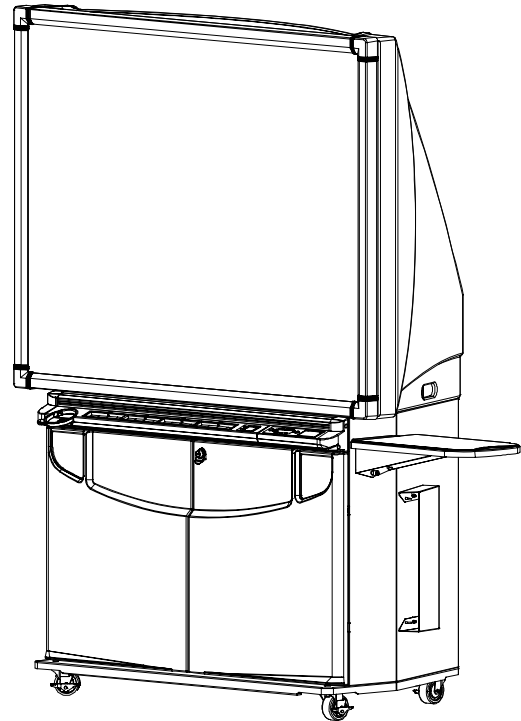


Rear Projection  
**SMART Board**™  
3000i



## Service Parts Diagrams

**For Model:**  
3000i-DV with the NEC VT670  
3000i-DV with the NEC VT676  
Serial numbers 3000i-DV-11000 and higher  
Serial numbers 3000i-DV-R1-20000 to 24999

## Service Parts Diagrams Revision History

### Revision 1 - January, 2006

- New document

### Revision 2 - June, 2006

- Added parts diagram for mirror stand, page 8

### Revision 3 - September, 2006

- Added new RoHS part numbers. For details, refer to Parts Diagram Change Request PD-0044

### Revision 4 - January, 2007

- Added missing cable part numbers

### Revision 5 - July, 2007

- Change part number 51-00205-00 to 51-00205-20
- Change part number 51-00203-02 to 51-00203-20

### Revision 6 - January, 2009

- Change 30-545 to 30-00545-20

### Revision 7 - November, 2009

- Change 60-00035-20 to 60-00051-20

## Standard Warranty Terms

Cabinet and Screen: 2 years

Projector: 2 years or equivalent to 8 hours a day 5 days a week

Lamp: 90 days or 500 hours

Accessories: 1 year

First Customer Ship: February, 2005

---

### SMART Technologies

3636 Research Road NW

Calgary, AB T2L 1Y1

CANADA

Support +1.403.228.5940 or Toll Free 1.866.518.6791 (Canada/U.S.)

Support Fax +1.403.806.1256

ServiceParts@smarttech.com www.smarttech.com

The SMART logo consists of the word "SMART" in a bold, stylized, sans-serif font. The letters are black with a white outline, and a small "TM" trademark symbol is located at the bottom right of the letter "T".

# Service Parts Diagrams for the *Rear Projection SMART Board™* 3000i-DV Interactive Whiteboard with NEC VT670 or VT676 projector

---

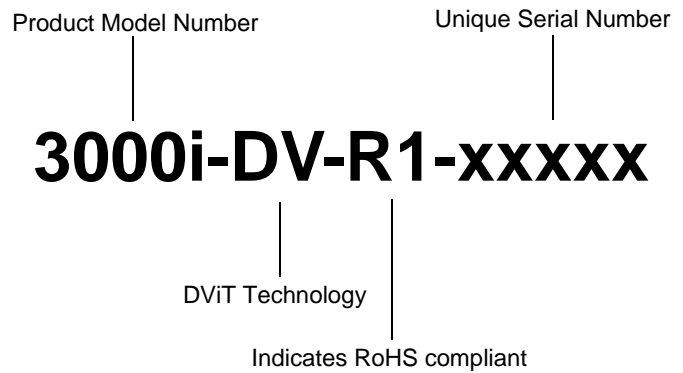
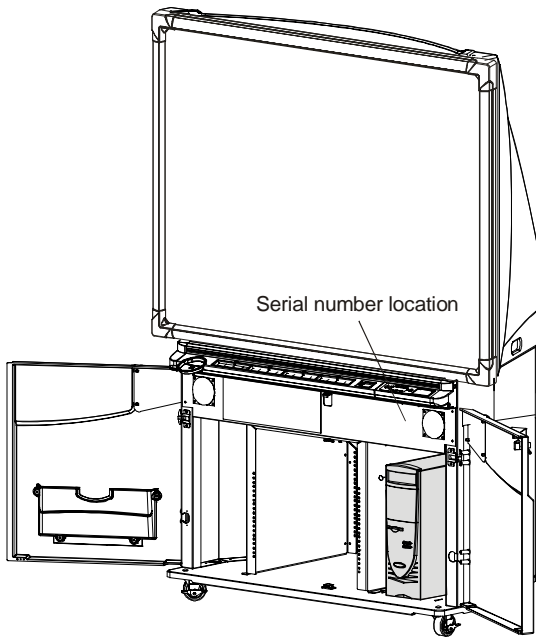
- Identifying Your Product Using the Serial Number ..... 1
- To Order Parts ..... 1
- Major Components ..... 2
- Front View of Interactive Whiteboard (Part No. FRU-RB467-x) ..... 3
- Rear View of Interactive Whiteboard (Part No. FRU-RB467-x) ..... 4
- Front Doors (Part No. FRU-3000i-FD)  
Includes Both Left and Right Doors for Color Matching ..... 5
- Speaker Panel ..... 6
- Projector NEC VT670/676 ..... 7
- Projector Platform for the NEC VT670/676 ..... 8
- Mirror Stand for the NEC VT670/676 ..... 9
- Pen Tray ..... 10
- Rear Connection Panel ..... 11
- Fan ..... 12
- Keyboard Holder ..... 13
- Upper Cabinet Covers ..... 14
- Videoconferencing Arm  
(Included in Part Numbers 3000i-VC1 and 3000i-VC2) ..... 15
- Large Videoconference Shelf (Part No. 3000i-VC1)  
Both Shelves contain the Video Conferencing Arm ..... 16
- Small Videoconference Shelf (Part No. 3000i-VC2) ..... 16
- J-Hook (Part No. FRU-JHK-3000i) ..... 17
- Laptop Shelf and Cable Harness Kit (Part No. 3000i-LTS) ..... 18
- Wiring Diagram ..... 19
- Accessory Kit (Part No. AK-00050-20) ..... 21
- RPSB3000i-DV Optional Accessories ..... 21



## Identifying Your Product Using the Serial Number

To make sure that you have the correct Service Parts Diagrams, you must verify the serial number of your SMART product.

Open the front doors of the cabinet and the serial number will be on a small white sticker near the right speaker. An example of the serial number is shown below.



For non-RoHS compliant models, the serial number will match this format: 3000i-DV-xxxxx.

## To Order Parts

### Customers

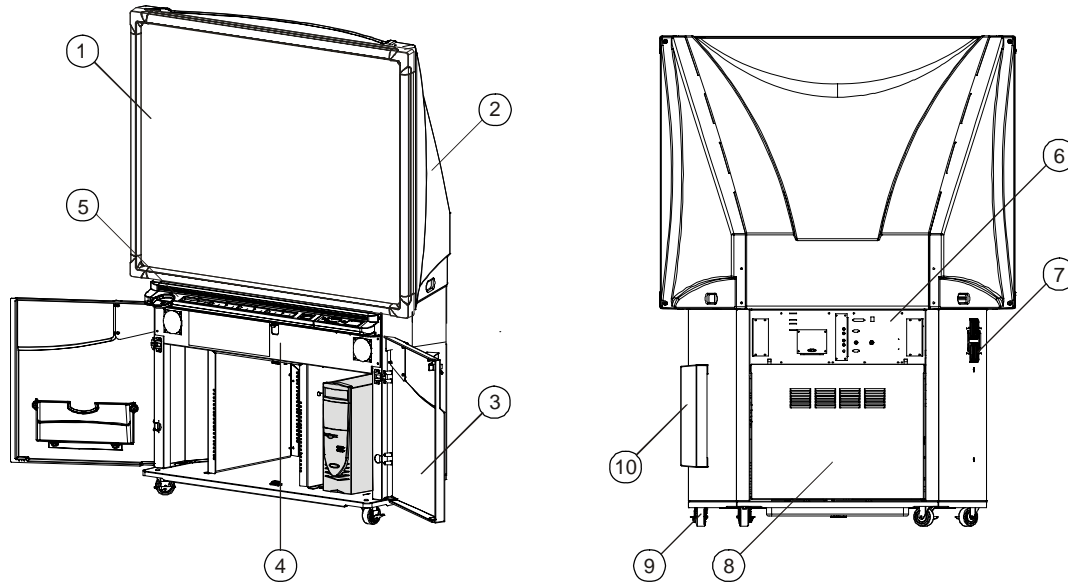
To order any parts from these service parts diagrams, please contact your local reseller.  
To find a reseller near you, visit [www.smarttech.com/where](http://www.smarttech.com/where).

### For Dealers and Distributors

For specific technical and pricing enquiries in regards to these diagrams please contact our service parts department.  
Pricing is also available on-line via the SOURCE website ([source.smarttech.com](http://source.smarttech.com))

E-mail: [serviceparts@smarttech.com](mailto:serviceparts@smarttech.com)  
Phone: 1.888.42.SMART  
International: +1.403.245.0333

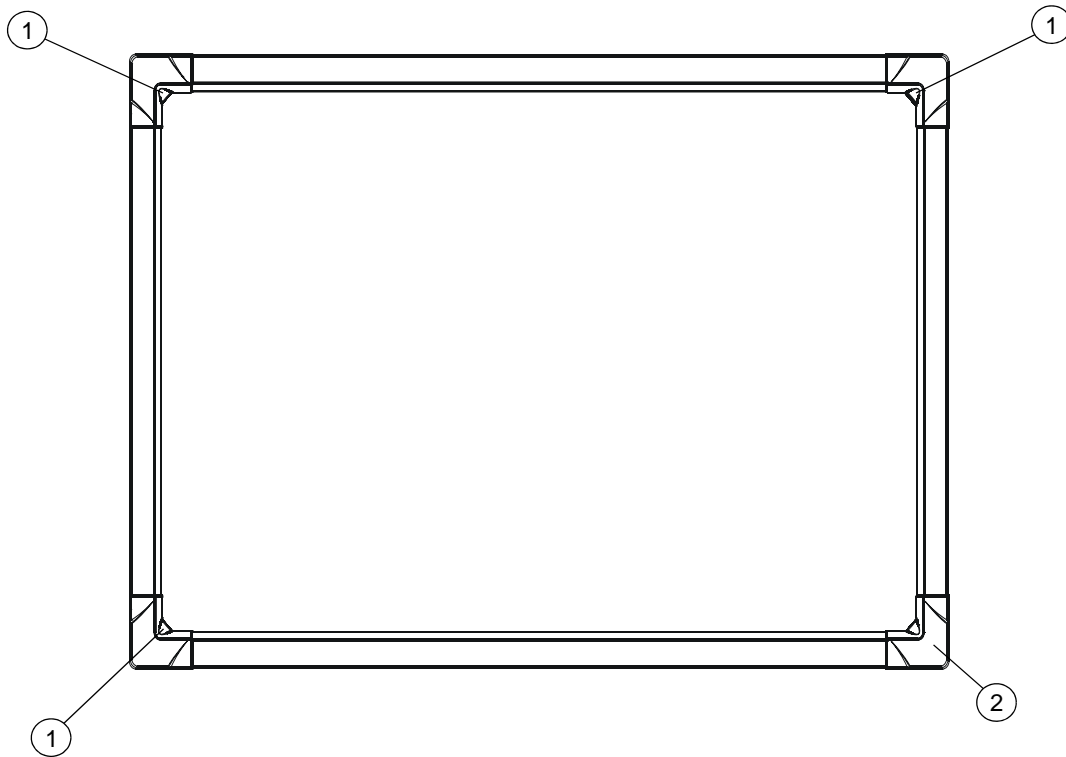
## Major Components



Item	Part No.	Qty	Description
1	FRU-RB467-x	1	FRU, RB467, replacement screen, 67" <b>NOTE:</b> Contact Technical Support for firmware version verification.
2	20-00023-20	1	Large mirror, assembly
3	FRU-3000i-FD	1	Front door assembly. Includes both doors for color matching purposes.
4	20-00027-20	1	Speaker panel
5	PT10-3000i	1	FRU, pen tray, 3000i <b>NOTE:</b> Does not include controller or control panel.
6	20-00025-20	1	Rear connection panel
7	20-00029-20	1	Fan
8	51-00205-20	1	Rear access panel
9	10-015	4	Caster, 3", black, top locking
10	200-0031	1	Keyboard holder
Not shown	03-00095-20	1	Keyboard, wireless <b>NOTE: For product with serial number format 3000i-DV-R1-xxxxx</b>
Not shown	03-00096-20	1	Receiver, IR, wireless keyboard <b>NOTE: For product with serial number format 3000i-DV-R1-xxxxx</b>
Not shown	03-00042	1	Keyboard, wireless, includes IR sensor <b>NOTE: For product with serial number format 3000i-DV-xxxxx</b>
Not shown	20-00375-20	1	Packaging, RPSB: model 3000i-DV

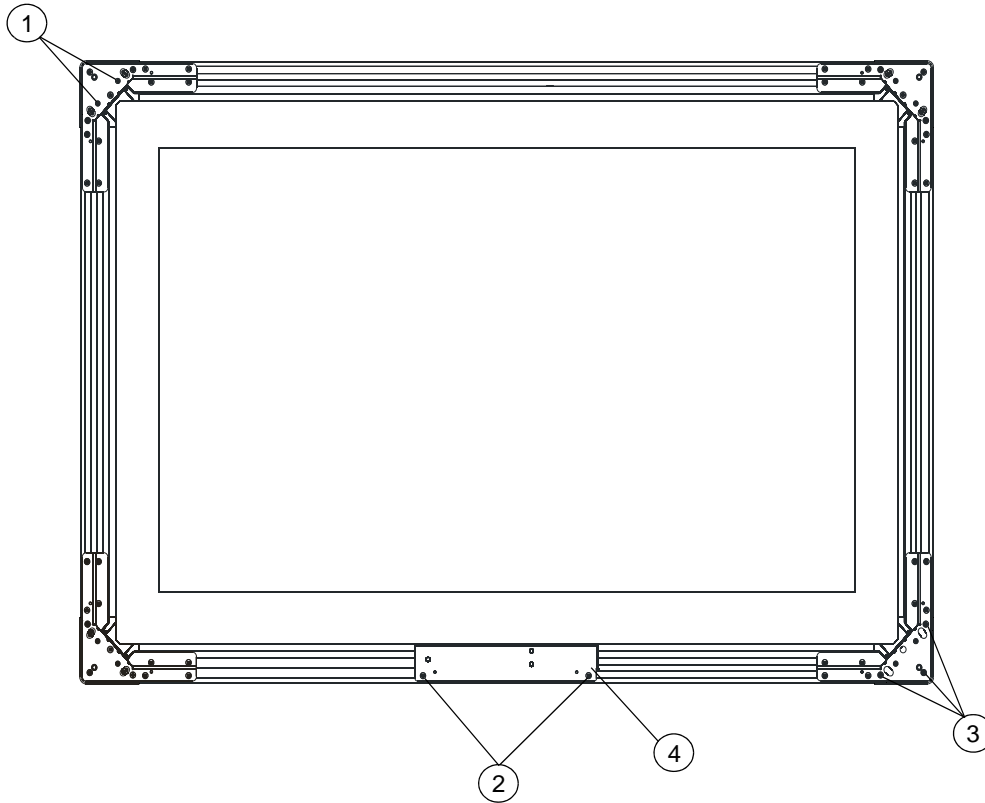
**NOTE:** Please refer to subsequent diagrams for more information about major components.

## Front View of Interactive Whiteboard (Part No. FRU-RB467-x)



Item	Part No.	Qty	Description
1	FRU-DV-CAMx-y	3	FRU, camera, DVIT <b>NOTE:</b> Call Technical Support for firmware version verification.
2	52-00153-00	4	Corner cap, outer, silver
Not shown	FRU-LED-67	1	FRU, LED replacement strips, all four sides
Not shown	FRU-LED-67L	2	FRU, LED replacement strip, long
Not shown	FRU-LED-67S	2	FRU, LED replacement strip, short
Not shown	93-00425-20	1	Cable, MOD8 to MOD8, 3' 11" (1.2 m) <b>NOTE:</b> Connects the bottom right camera to the hub, viewed from the rear.
Not shown	93-00426-20	1	Cable, MOD8 to MOD8, 4' 11" (1.5 m) <b>NOTE:</b> Connects the top left camera to the hub, viewed from the rear.
Not shown	93-00427-20	1	Cable, MOD8 to MOD8, 7' 5" (2.3 m) <b>NOTE:</b> Connects the top right camera to the hub, viewed from the rear.

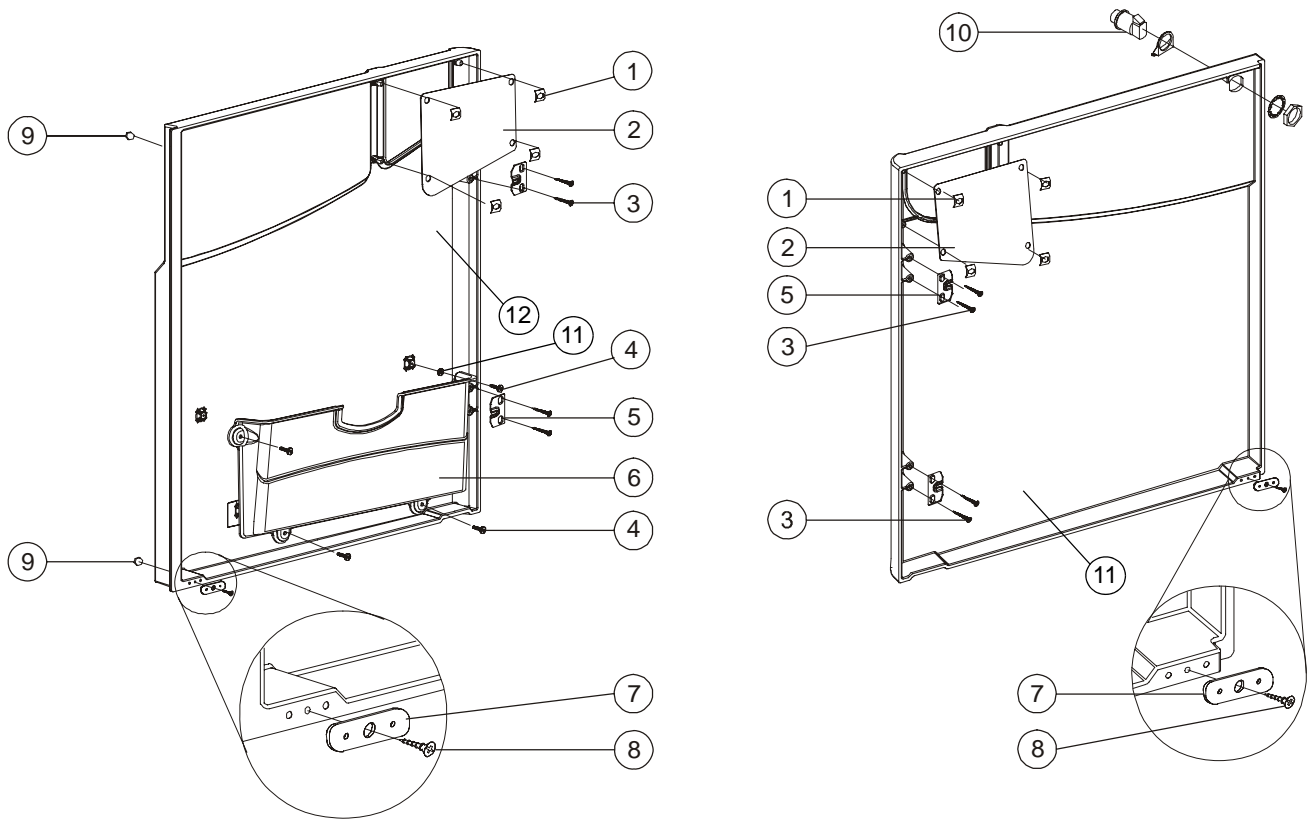
## Rear View of Interactive Whiteboard (Part No. FRU-RB467-x)



Item	Part No.	Qty	Description
1	30-00885	8	Screw, 8-32 x 3/8", Phillips, flat head, undercut <b>NOTE:</b> For attaching cameras.
2	30-00653-20	2	Screw, 10-32 x 3/8", square recess, flat head <b>NOTE:</b> For attaching hub.
3	30-00719-20	12	Screw, No. 10 x 3/4", Phillips, flat head, for plastics <b>NOTE:</b> For attaching corner caps.
4	FRU-DV-HUB1	1	FRU, hub, assembly

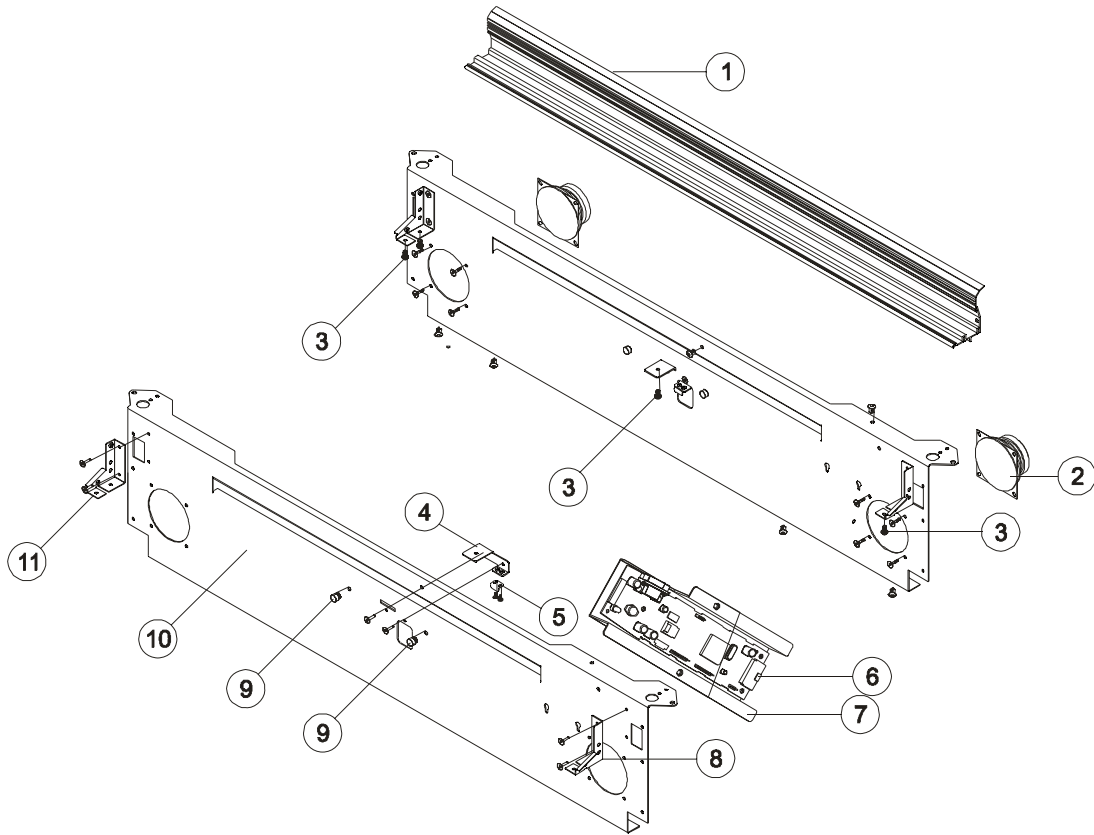


**Front Doors (Part No. FRU-3000i-FD)**  
**Includes Both Left and Right Doors for Color Matching**



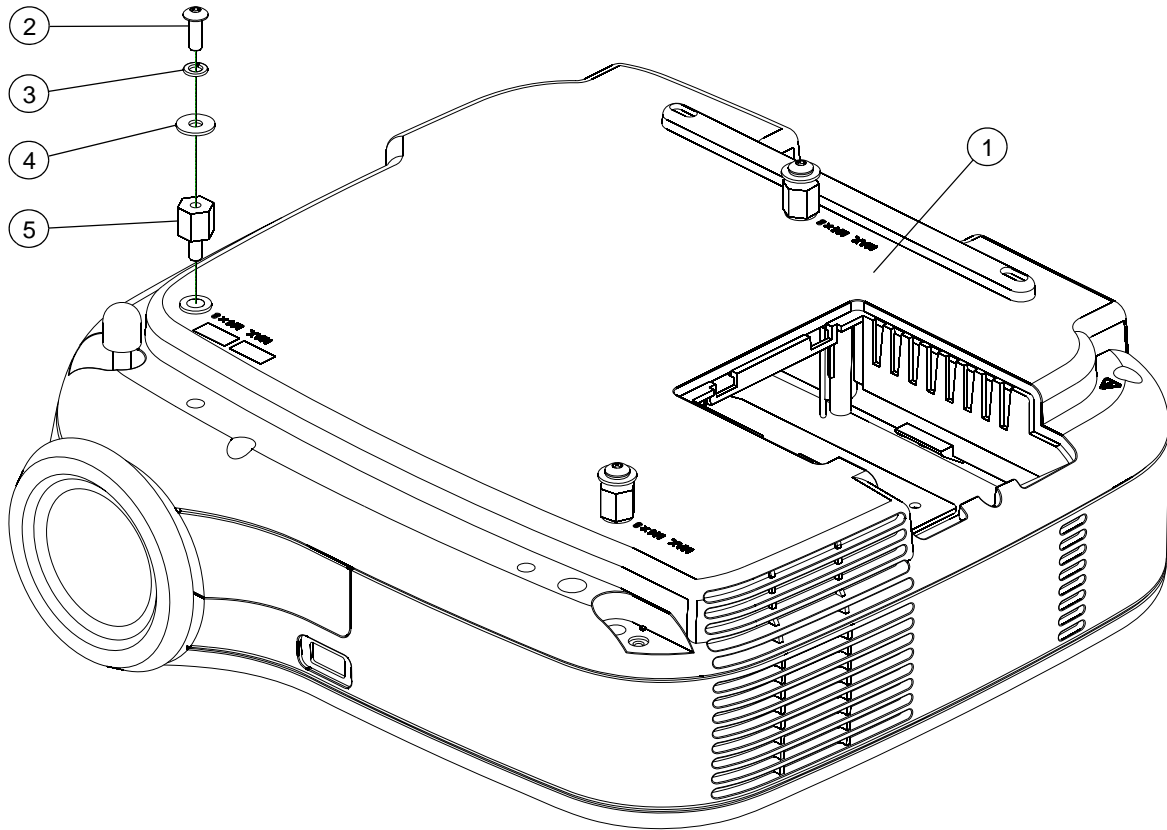
Item	Part No.	Qty	Description
1	30-430	8	Fastener, push-on, for 10/32" post
2	51-00245-00	2	Grill, speaker
3	30-00464-20	8	Screw, No. 6 × 1", Phillips, flat head, for plastics
4	30-00463-20	4	Screw, No. 10 × 1/2", Phillips, pan head, high/low thread
5	30-00933	4	Mounting plate, hinge
6	SJ67-111-00	1	Holder, document
7	30-01041-20	2	Catch, plate
8	30-00466-20	2	Screw, No. 4 × 1/2", Phillips, flat head
9	30-00989	2	Bumper, rubber, self-adhesive
10	30-272	1	Lock, push, keyed. Uses key CH751.
11	30-279	4	Washer, rubber, 1/4"

# Speaker Panel



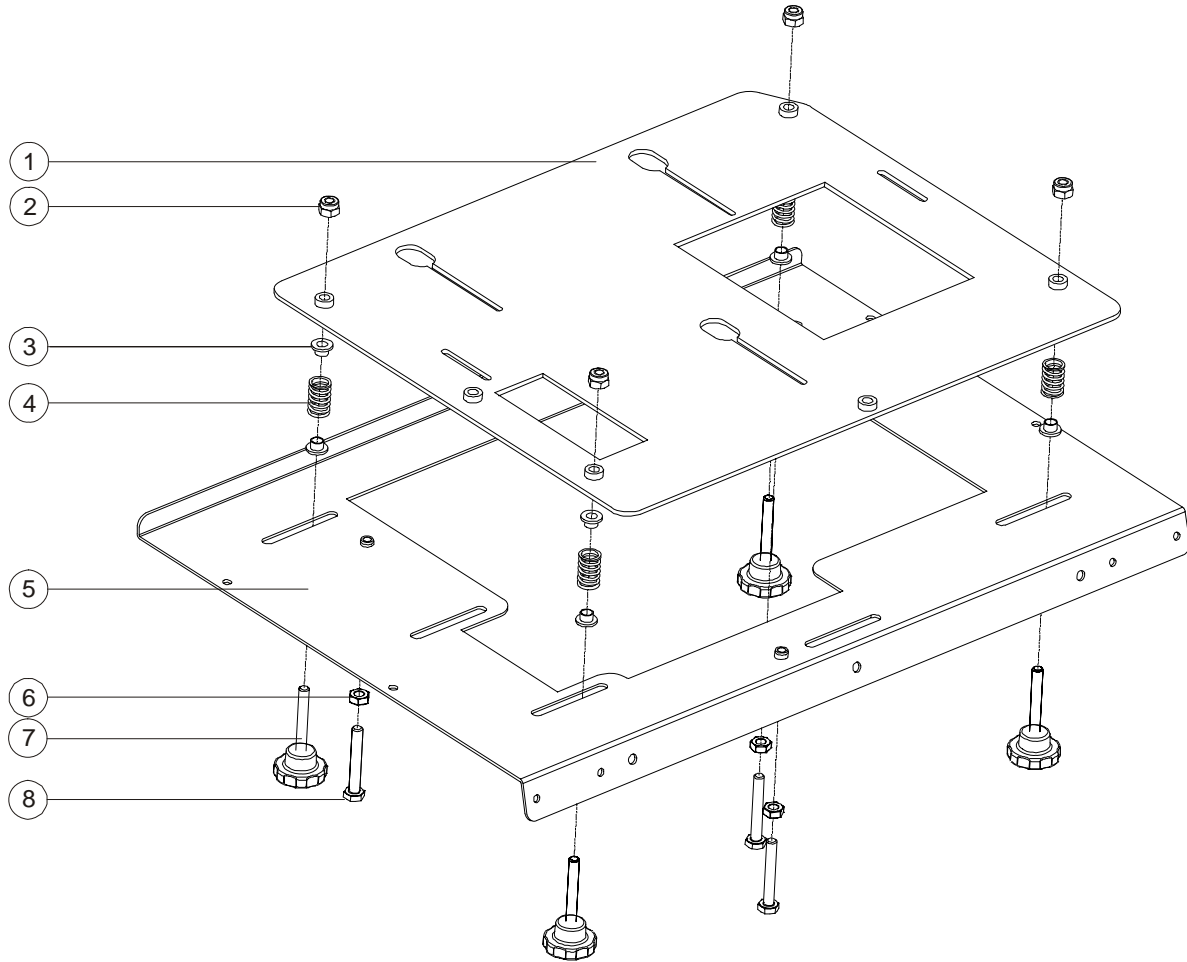
Item	Part No.	Qty	Description
1	SJ67-500-00	1	Extrusion, pen tray
2	03-00066	1	Speaker, 80W, 4" diameter, with grill, pair
3	30-461	5	Screw, 10-32 x 3/8", hex, button head
4	SJ67-212-00	1	Bracket, pen tray, center
5	30-00035-20	2	Screw, 6-32 x 1/4", square recess and slot, round head
6	FRU-DV-SC8-x	1	FRU, replacement serial controller <b>NOTE:</b> Call Technical Support for firmware version verification.
7	51-00224-20	1	Cover, serial controller card
8	SJ67-211-00	1	Bracket, pen tray, right
9	30-298	2	Bumper, 7/32" x 13/32" diameter, rubber
10	51-00228-01	1	Panel, speaker, bare
11	SJ67-210-00	1	Bracket, pen tray, left

## Projector NEC VT670/676



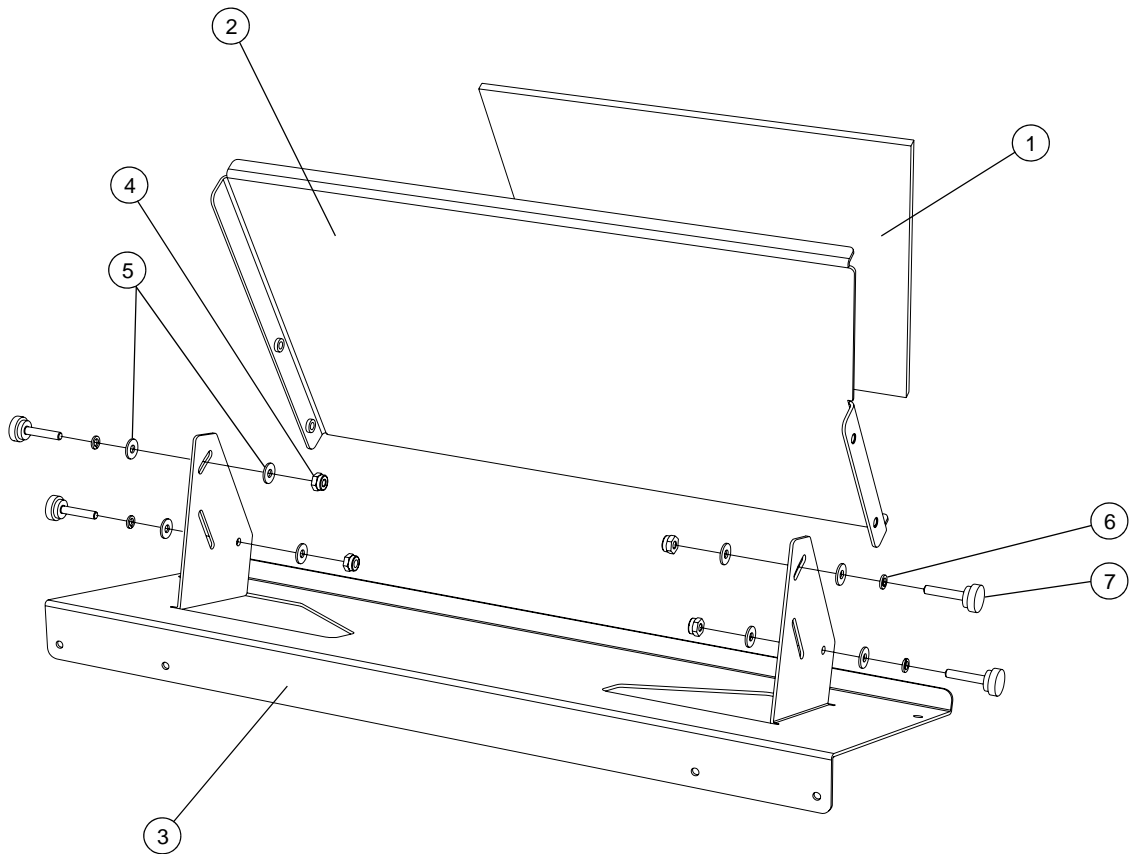
Item	Part No.	Qty	Description
1	FRU-NEC670	1	Replacement NEC VT670 Projector with SMART Lens. <b>NOTE:</b> Does not include accessories, mounting plate or hardware. Call Technical Support to discuss repair or replacement options.
1	FRU-NEC676	1	Replacement NEC VT676 Projector with SMART Lens. <b>NOTE:</b> Does not include accessories, mounting plate or hardware. Call Technical Support to discuss repair or replacement options.
2	30-00866	3	Screw, M4 x 12 mm, TORX®, security, button head
3	30-00451-20	3	Washer, M4, split, lock
4	30-00756	3	Washer, M4, fender
5	30-00909	3	Spacer, M4 x 10 mm, male-female, hex

## Projector Platform for the NEC VT670/676



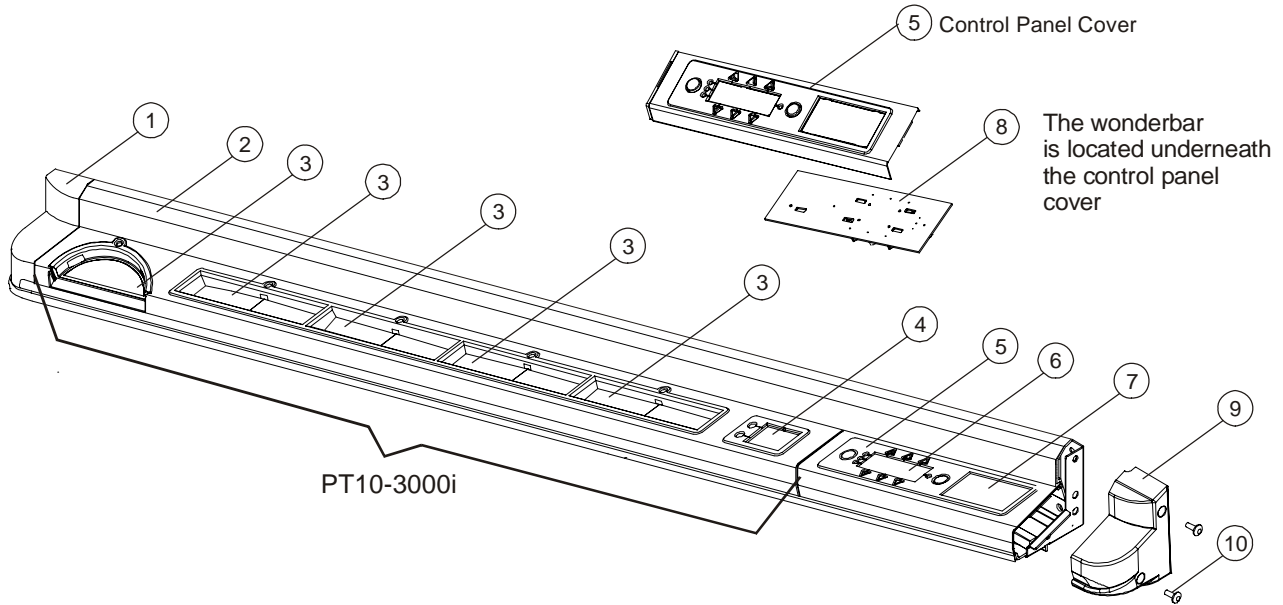
Item	Part No.	Qty	Description
1	51-00440-00	1	Plate, projector, for the NEC VT670/676
2	30-00116-20	4	Nut, 1/4"-20, hex, locking, nylon
3	30-362	8	Washer, 1/4", shoulder, nylon
4	30-00434-20	4	Spring, 1 1/2" x 15/32"
5	51-00390-20	1	Plate, top, projector platform, for the NEC VT670/676
6	30-00746-20	3	Nut, 1/4"-20, hex
7	30-00545-20	4	FRU, screw, 1/4"-20 x 2 1/4", hex, cap head, with knob
8	30-00733-20	3	Bolt, 1/4"-20 x 1 3/4", hex

## Mirror Stand for the NEC VT670/676



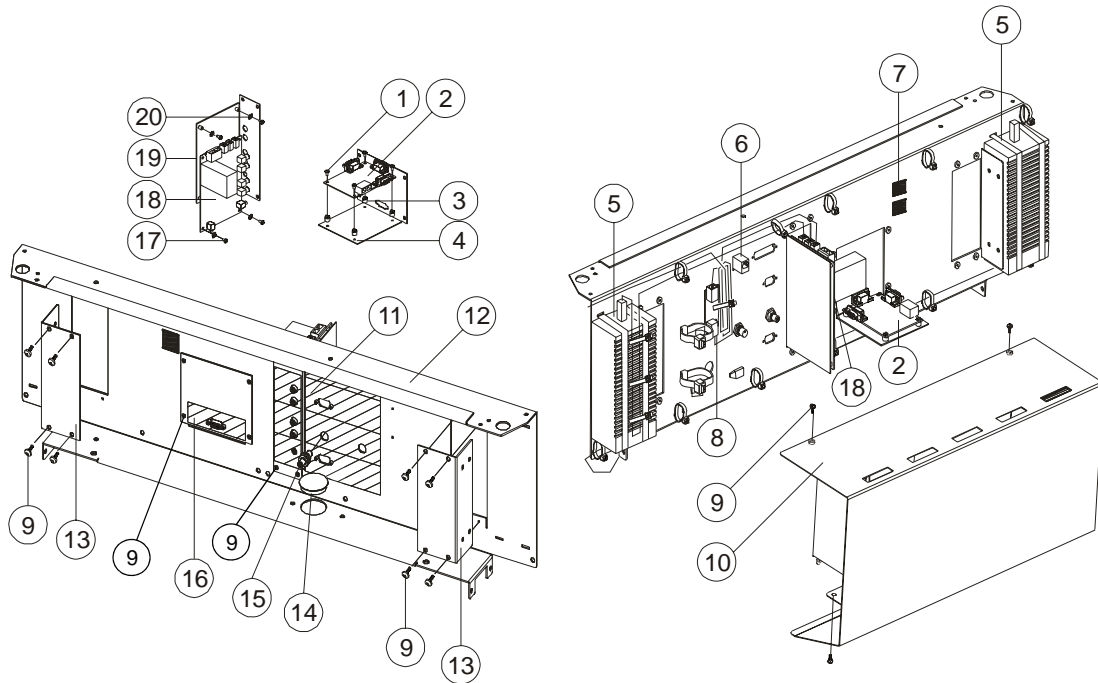
Item	Part No.	Qty	Description
1	53-00012-01	1	Mirror, small
2	51-00203-20	1	Holder, small mirror
3	51-00450-00	1	Plate, mirror mount
4	30-00079-20	4	Nut, 10-32, hex, locking, nylon
5	30-00781	8	Washer, No. 10, flat
6	30-00304-20	4	Washer, No. 10, split, lock
7	30-00757	4	Screw, 10-32 x 1", thumb

# Pen Tray



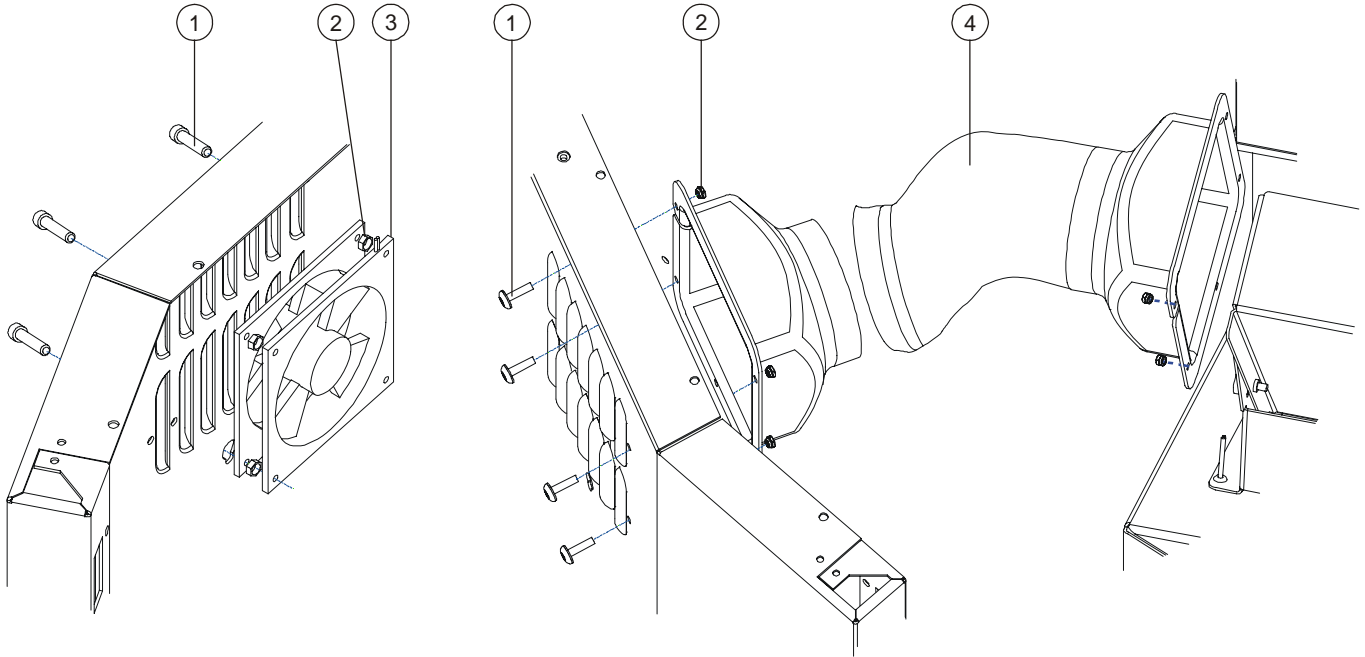
Item	Part No.	Qty	Description
1	SJ67-107-00-01	1	End cap, left, viewed from the front
2	PT10-3000i	1	FRU, pen tray <b>NOTE:</b> Does not include controller or control panel.
3	43-00160-20	1	Label, eraser, black, blue, green and red color inserts
4	43-00066-20	1	Label, button overlay, projected mode
5	FRU-CONTROLP-VT3	1	FRU, cover, control panel, 3000i
6	43-01088-20	1	Label, control panel buttons
7	43-01087-20	1	Label, control panel instructions
8	FRU-WBAR-Nx70	1	FRU, Wonderbar, firmware version 1.x for NEC VTx70 and VT676 projectors
9	SJ67-108-00-01	1	End cap, right, viewed from the front
10	30-00436-20	4	Screw, 8-32 x 3/8", Phillips, pan head

## Rear Connection Panel



Item	Part No.	Qty	Description
1	30-00664-20	4	Screw, 6-32 x 1/2", square recess and slot, pan head
2	FRU-XP20-3000i	1	FRU, X-Port 20 serial switch
3	30-554	4	Stand off, 1/4", circuit card
4	SJ67-241-00	1	Bracket, X-Port 20 switch
5	60-00051-20	2	Power supply, 12V DC, 5.0A, universal switching
6	12-00180-20	1	Coupler, Cat 5, RJ45, snap-in
7	30-438	1	Strap, hook and loop fastener
8	26-00018-20	1	Circuit card, fan control <b>NOTE:</b> Attaches with 2 pieces of 30-00386-20 and 30-00035-20.
9	30-00437-20	20	Screw, 10-32 x 1/2", Phillips, pan head
10	51-00222-02	1	Cover, rear connection panel
11	43-00467-20	1	Label, X-Port 20 switch and audio amplifier
12	51-00244-03	1	Panel, rear connection, bare
13	SJ67-226-00	2	Panel, blank
14	30-308	1	Plug, 1 1/2"
15	12-00156-20	2	Connector, video, RCA female to RCA female, bulkhead
16	43-00468-20	1	Label, rear connection panel, X-Port 20 switch
17	30-00035-20	6	Screw, 6-32 x 1/4", square recess and slot, round head
18	FRU-MIXER-XP20	1	FRU, amplifier, audio mixer
19	SJ67-242-00	1	Bracket, amplifier, audio mixer
20	30-00386-20	6	Washer, No. 6, star tooth

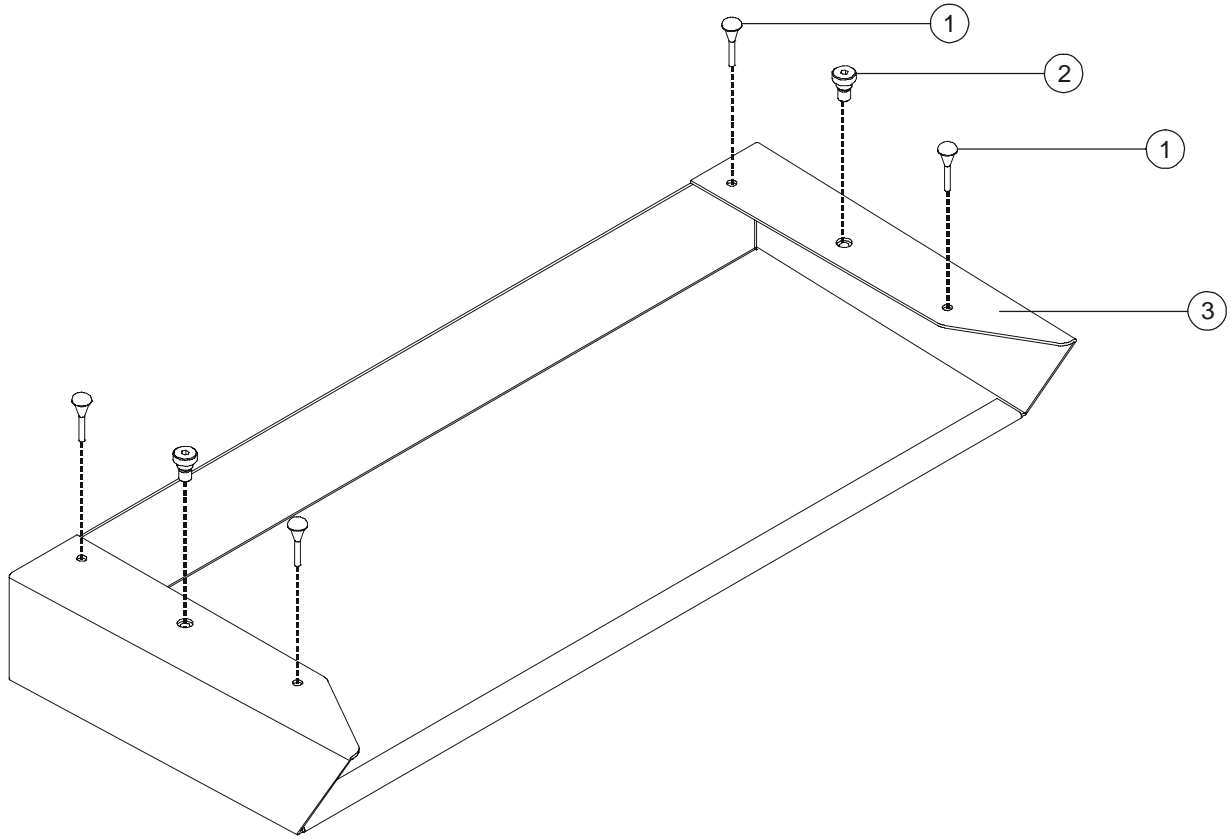
# Fan



Item	Part No.	Qty	Description
1	30-178	8	Screw, 10-32 x 1", hex, button head
2	30-00079-20	8	Nut, 10-32, hex, locking, nylon
3	20-00029-20	1	Fan
4	52-00151-20	1	Duct, exhaust

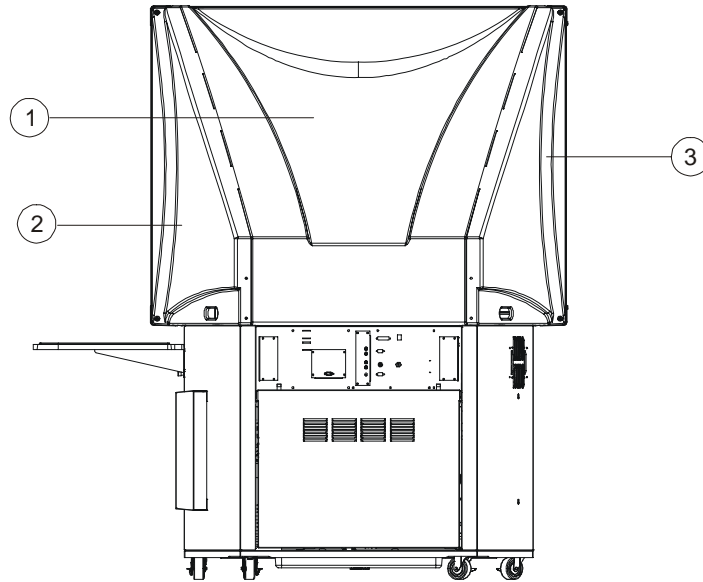


# Keyboard Holder



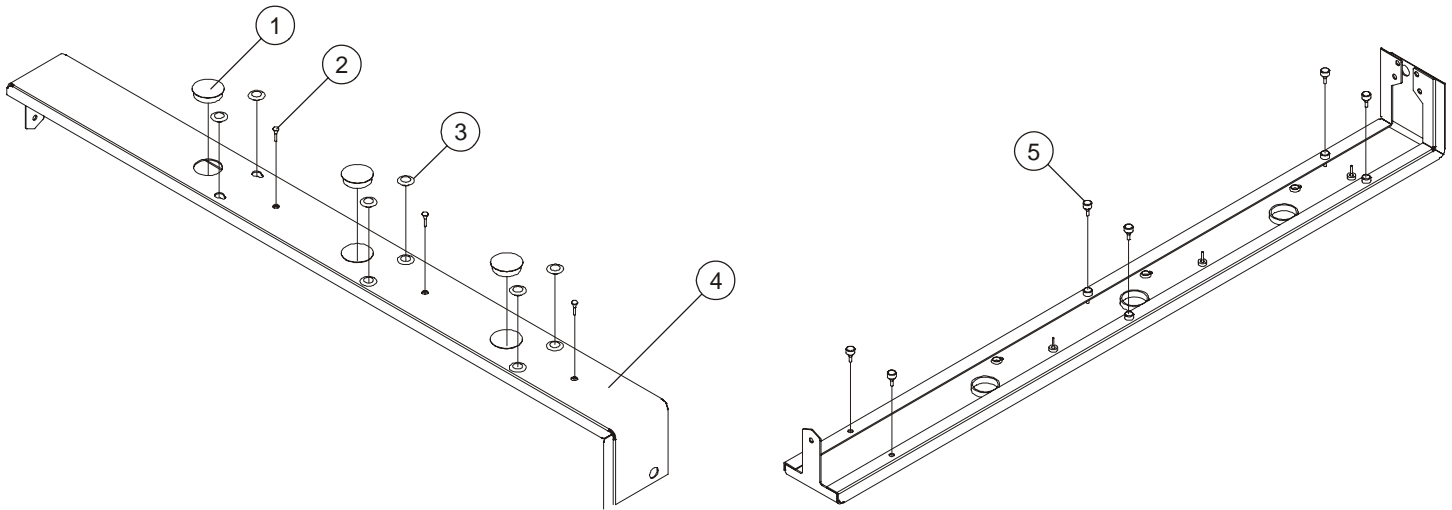
Item	Part No.	Qty	Description
1	30-407	4	Bumper, RB126, rubber
2	30-00711	2	Screw, 10-32 x 1/8", hex, shoulder head
3	SJ67-231-00	1	Holder, keyboard

## Upper Cabinet Covers



Item	Part No.	Qty	Description
1	SJ67-104-01	1	Cover, top, rear
2	SJ67-103-00	1	Cover, top, right, viewed from the front
3	SJ67-102-00	1	Cover, top, left, viewed from the front
Not shown	30-287	8	Screw, 1/4"-20 x 1/2", hex, button head

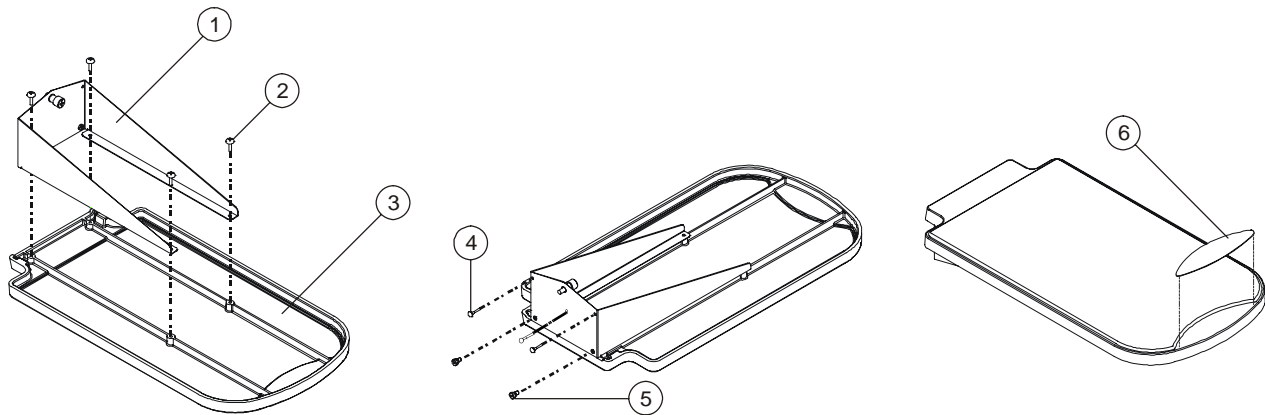
**Videoconferencing Arm**  
**(Included in Part Numbers 3000i-VC1 and 3000i-VC2)**



Item	Part No.	Qty	Description
1	30-308	3	Plug, 1 1/2"
2	30-407	3	Plug, RB126, rubber
3	30-431	6	Plug, 1/2", plastic
4	51-0040-00	1	Bracket, videoconference arm
5	30-391	6	Plug, bumper
Not shown	30-366	3	Screw, 1/4"-20 x 3/4", hex, button head <b>NOTE:</b> For attaching arm to 3000i.

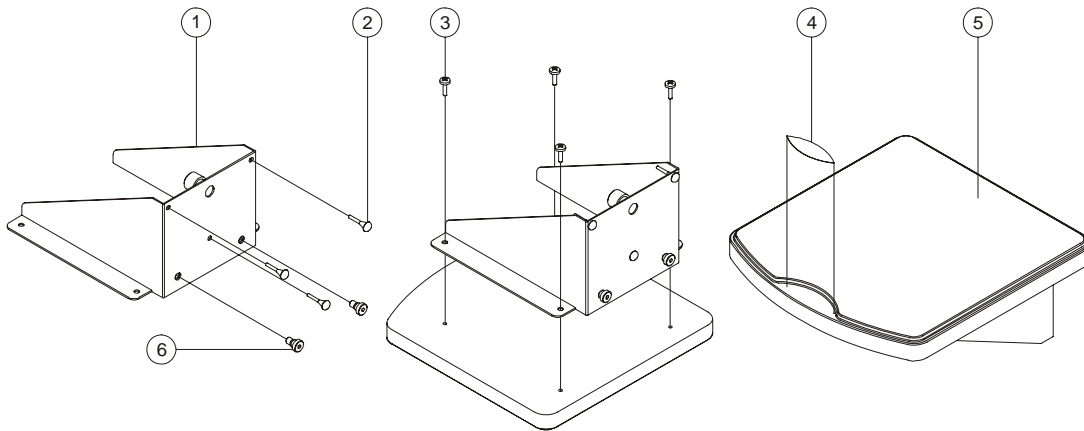
## Large Videoconference Shelf (Part No. 3000i-VC1)

Both Shelves contain the Video Conferencing Arm



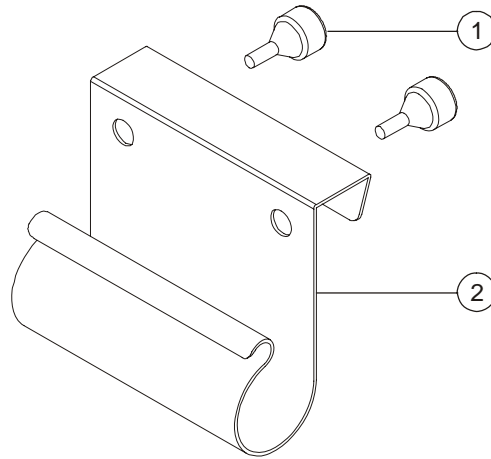
Item	Part No.	Qty	Description
1	51-0041-00	1	Bracket, large videoconference shelf, including captive pem screw
2	30-00463-20	4	Screw, No. 10 x 1/2", Phillips, pan head, high/low thread
3	52-00415-20	1	Shelf, laptop
4	30-407	3	Bumper, RB126, rubber
5	30-00429-20	2	Screw, 10-32 x 1/2", hex, shoulder head
6	43-00299-20	1	Label, laptop shelf

## Small Videoconference Shelf (Part No. 3000i-VC2)



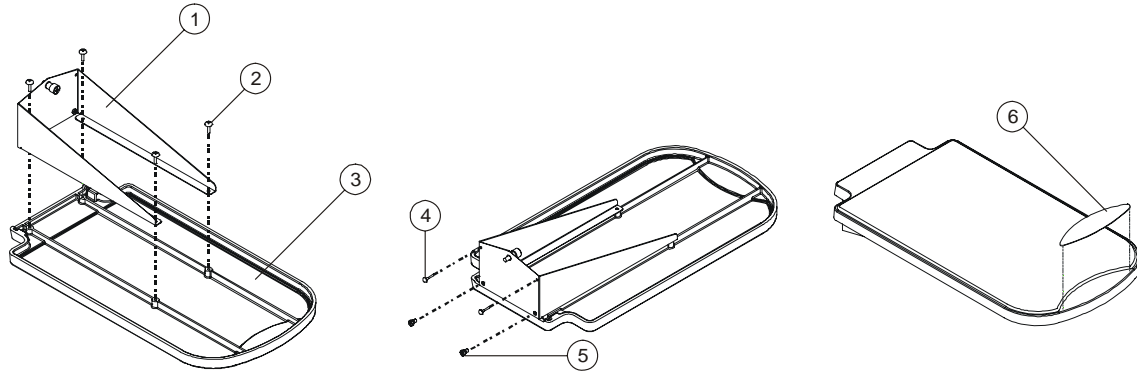
Item	Part No.	Qty	Description
1	51-0039-00	1	Bracket, videoconference shelf, small
2	30-407	3	Bumper, RB126, rubber
3	30-00463-20	4	Screw, No. 10 x 1/2", Phillips, pan head, high/low thread
4	43-00040-20	1	Label, small videoconference shelf
5	52-0031-00	1	Shelf, small videoconference
6	30-00429-20	2	Screw, 10-32 x 1/2", hex, shoulder head

## J-Hook (Part No. FRU-JHK-3000i)

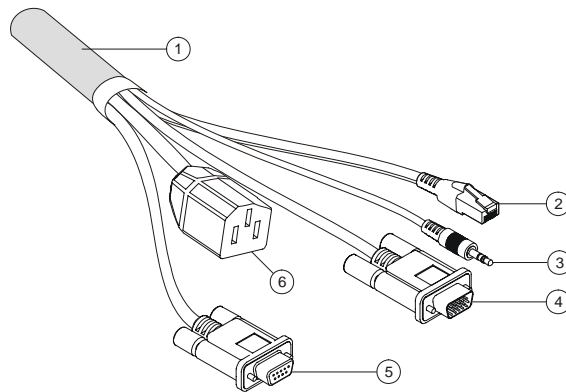


Item	Part No.	Qty	Description
1	30-00752	2	Bumper, rubber
2	51-00042-01	1	J-hook

## Laptop Shelf and Cable Harness Kit (Part No. 3000i-LTS)

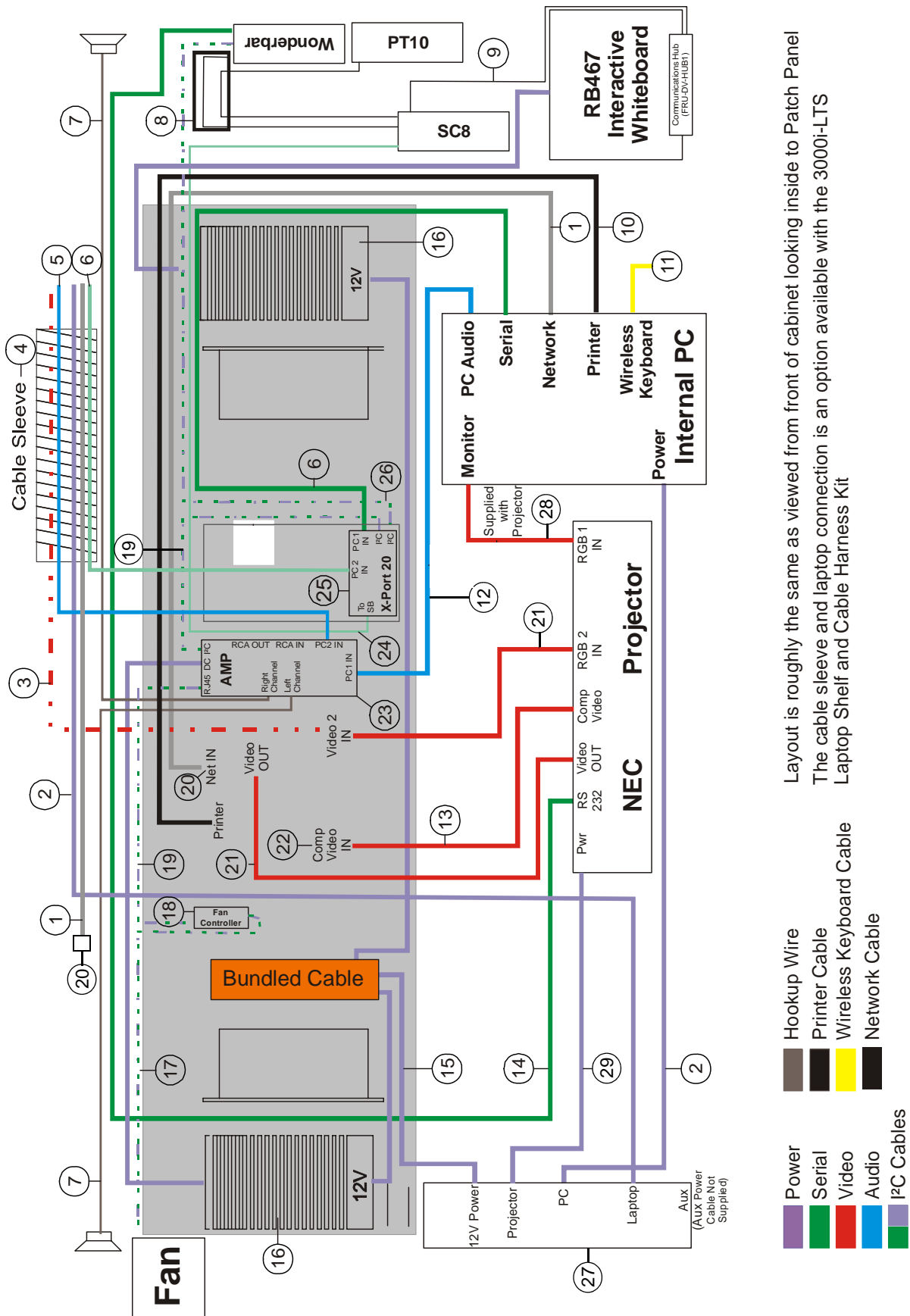


Item	Part No.	Qty	Description
1	SJ67-225-00	1	Bracket, laptop shelf, including captive pem screw
2	30-00463-20	4	Screw, No. 10 × 1/2", Phillips, pan head, high/low thread
3	52-00415-20	1	Shelf, laptop
4	30-407	2	Bumper, RB126, rubber
5	30-00429-20	2	Screw, 10-32 × 1/2", hex, shoulder head
6	43-00299-20	1	Label, laptop shelf



Item	Part No.	Qty	Description
1	87-00102-00	1	Sleeve, cable, black, velcro
2	93-00342-01	1	Cable, network, Cat 5e, RJ45, 6' 6" (2.0 m)
3	93-00301-20	1	Cable, audio, 3.5 mm male to 3.5 mm male, 6' 6" (2.0 m)
4	93-00315-20	1	Cable, video, HD15 male to HD15 male, 6' (1.8 m)
5	93-00027-20	1	Cable, serial, DB9 male to DB9 female, 6' (1.8 m)
6	93-097-00	1	Cable, power, IEC male to female, 5' (1.5 m)
Not shown	12-00180-20	1	Coupler, Cat 5, RJ45, snap-in
Not shown	USB-ADP	1	Cable, USB, DB9 male to USB, 2'6" (76.2 cm) <b>NOTE:</b> Does not provide power. Refer to product price list.

# Wiring Diagram



Layout is roughly the same as viewed from front of cabinet looking inside to Patch Panel  
 The cable sleeve and laptop connection is an option available with the 3000i-LTS  
 Laptop Shelf and Cable Harness Kit

- Power
- Serial
- Video
- Audio
- PC Cables
- Hookup Wire
- Printer Cable
- Wireless Keyboard Cable
- Network Cable

Item	Part No.	Qty	Description
1	93-00342-01	2	Cable, network, Cat 5, RJ45, 6' 6" (2.0 m)
2	93-097-00	2	Cable, power, IEC male to female, 5' (1.5 m)
3	93-00315-20	1	Cable, video, HD15 male to HD15 male, 6' (1.8 m)
4	87-00102-00	1	Sleeve, cable, black, velcro
5	93-00301-20	1	Cable, audio, 3.5 mm male to 3.5 mm male, 6' (1.8 m)
6	93-00027-20	2	Cable, serial, DB9 male to DB9 female, 6' (1.8 m)
7	93-00197-20	2	Cable, speaker, common
8	93-00393-20	1	Cable, bundle, 4-pin I <sup>2</sup> C and 10-pin ribbon
9	93-00379-20	1	Cable, MOD8 to MOD8, 2'6" (76.2 cm)
10	93-00112-20	1	Cable, printer, DB25 male to DB25 female, 6' (1.8 m)
11	03-00095-20	1	Keyboard, wireless <b>NOTE: For product with serial number format 3000i-DV-R1-xxxxx</b>
11	03-00096-20	1	Receiver, IR, wireless keyboard <b>NOTE: For product with serial number format 3000i-DV-R1-xxxxx</b>
11	03-00042	1	Keyboard, wireless, includes IR sensor <b>NOTE: For product with serial number format 3000i-DV-xxxxx</b>
12	93-00395-20	1	Cable, audio, 3.5 mm male to 3.5 mm male, right angle, 6' (1.8 m)
13	93-00104-20	1	Cable, video, RCA male to RCA male, 6' (1.8 m)
14	93-00467-20	1	Cable, serial, DB9 female to mini Din 8, 9' (2.7 m)
15	93-00389-00	1	Cable, power supply, "y" configuration, dual IEC female to single IEC male, 6' (1.8 m)
16	60-00051-20	2	Power supply, 12V DC, 5.0A, universal switching
17	93-00198-20	1	Cable, fan to fan control
18	26-00018-20	1	Circuit card, fan control
19	93-00199-20	2	Cable, I <sup>2</sup> C, MOD6 to MOD6, 2' (91 cm)
20	12-00180-20	1	Coupler, Cat 5, RJ45, snap-in
21	93-00328-00	2	Cable, video, HD15 male to HD15 female, 6' (1.8 m)
22	12-00156-20	2	Connector, video, RCA female to RCA female, bulkhead
23	FRU-MIXER-XP20	1	FRU, Amplifier, audio mixer
24	93-304-00	1	Cable, serial, DB9 female to DB9 female, 6' (1.8 m)
25	FRU-XP20-3000i	1	FRU, X-Port 20 serial switch
26	93-00200-20	1	Cable, I <sup>2</sup> C, MOD6 to MOD6 4' 6" (1.4 m)
27	93-00599-20	1	Power bar, universal, 220V/10A
28	93-00504-20	1	Cable, video, HD15 male to HD15 male, 10' (3.1 m)
29	93-00582-20	1	Cable, power, IEC 32-C14 to IEC 320-C7, 3' (91 cm) <b>NOTE: Connects projector power to internal power bar.</b>
Not shown	93-00202-20	1	Cable, S-Video, male to male, 6' (1.8 m) <b>NOTE: Connects from the projector to the customer provided DVD/VCR.</b>
Not shown	93-00139-20	1	Cable, audio, RCA, male to male, 6' (1.8 m) <b>NOTE: Connects from the internal RCA audio bulkheads to the customer provided DVD/VCR.</b>
Not shown	93-00438-00	1	Cable, audio, RCA, male to male, 1' (30.5 cm) <b>NOTE: Connects the external RCA audio connectors labeled "VCR/DVD" to external RCA audio connectors labeled "Audio In".</b>



## Accessory Kit (Part No. AK-00050-20)

Part No.	Qty	Description
RPEN	1	Styluses - set of four (Black, Blue, Red, Green). <b>Refer to product price list.</b>
ERA-003	1	Small eraser, comes with eraser barrier
78-00029	1	Hex key, TORX™
78-00037	1	Driver, nut, 7/16"

## RPSB3000i-DV Optional Accessories

Part No.	Qty	Description
01-00161	1*	Projector Lamp VT75LP for NEC VT470/VT670/VT676
03-00070	1*	Replacement NEC VT670 Projector with SMART Lens. <b>NOTE:</b> Includes accessories, does not include mounting plate or hardware. Call Technical Support to discuss repair or replacement options.
03-00092-20	1*	Replacement NEC VT676 Projector with SMART Lens. <b>NOTE:</b> Includes accessories, does not include mounting plate or hardware. Call Technical Support to discuss repair or replacement options.
USB-ADP	1*	Cable, USB, DB9 male to USB, 2' 6" (76.2 m) <b>NOTE:</b> Does not provide power.
3000I-RCM	1*	Room control module for 3000i
3000I-LTS	1*	Laptop shelf and cable harness kit for 3000i
3000I-VC1	1*	Shelf, videoconference, large. Includes videoconference arm.
3000I-VC2	1*	Shelf, videoconference, small. Includes videoconference arm.

\* Refer to the product price list.

