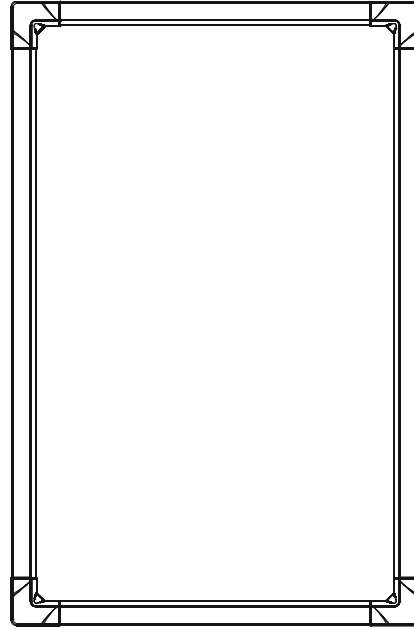


SMART™



Service Parts Diagrams

For Model:

KPN340	KPN360B
KPA342B	KPP360
KPN342C	KPN361B
KPN342D	KPP361
KPR352	KPG363
KPN357	KPA365
KPA358	KPN365
KPL360C	KPR365
KPN360	

Service Parts Diagrams Revision History

Revision 1 - November, 2009

- New document

Standard Warranty Terms

Base Product: Two-year limited equipment warranty

SMART Technologies

3636 Research Road NW

Calgary, AB T2L 1Y1

CANADA

Support +1.403.228.5940 or Toll Free 1.866.518.6791 (Canada/U.S.)

Support Fax +1.403.806.1256

ServiceParts@smarttech.com www.smarttech.com

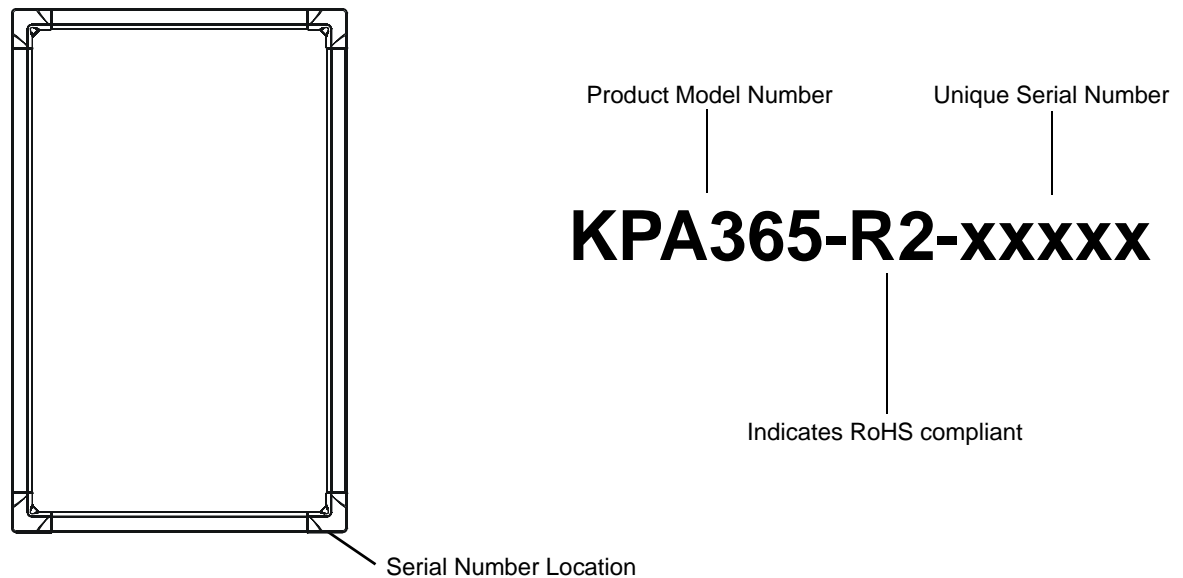


Service Parts Diagrams for the Portrait Corner Bracket Actalyst Interactive Overlay

- Identifying Your Product Using the Serial Number 1
- Ordering Parts 1
- Overview 2
- Front View of Interactive Overlay 4
- Back View of Interactive Overlay - KPR352, KPN357 6
- Back View of Interactive Overlay - KPN340, KPA342B, KPN342C, KPN342D, KPA358, KLP360C, KPN360, KPN360B, KPP360, KPN361B, KPP361, KPG363, KPA365, KPN365, KPR365 7
- No Pen Tray Version Master Controller Assembly SC8 FRU (Part No. FRU-SC8-NPT-x) 8
- Actalyst Version Corner Bracket Accessory Kit (Part No. AK-00064-21) 9

Identifying Your Product Using the Serial Number

To make sure that you have the correct service parts diagrams, you must verify the serial number of your Portrait Corner Bracket Actalyst interactive overlay. The serial number is located on the bottom right corner of the interactive overlay. An example of the serial number format is shown below.



For non-RoHS compliant models, the serial number will match this format: KPA365-xxxxx.

For RoHS compliant (Europe) models, the serial number will match this format: KPA365-R1-xxxxx.

For RoHS compliant (Europe and China) models, the serial number will match this format: KPA365-R2-xxxxx.

Ordering Parts

Customers

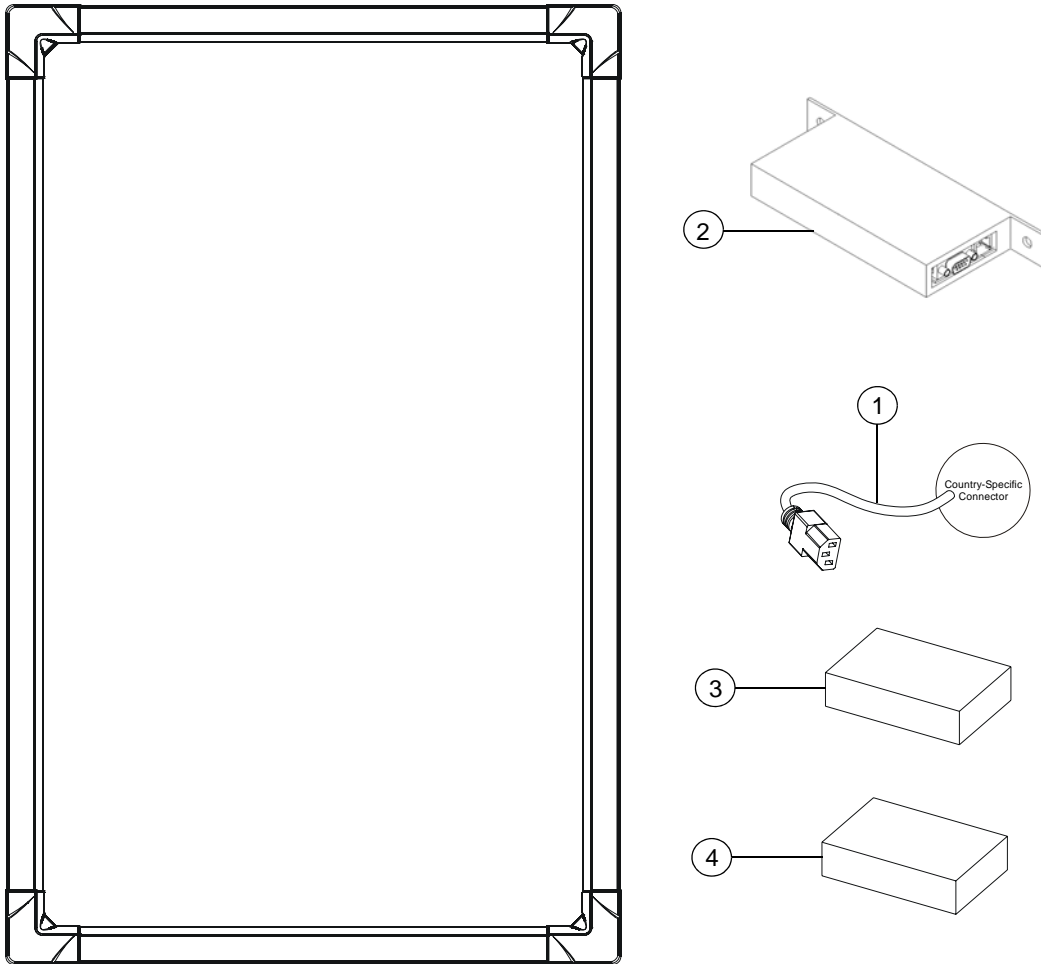
To order any of the parts in these service parts diagrams, contact your local reseller.
To find a reseller near you, visit www.smarttech.com/where.

Dealers and Distributors

For specific technical and pricing enquiries in regards to these diagrams please contact our service parts department.
Pricing is also available on-line via the SOURCE website (source.smarttech.com).

E-mail: serviceparts@smarttech.com
Phone: 1.888.42.SMART
International: +1.403.245.0333

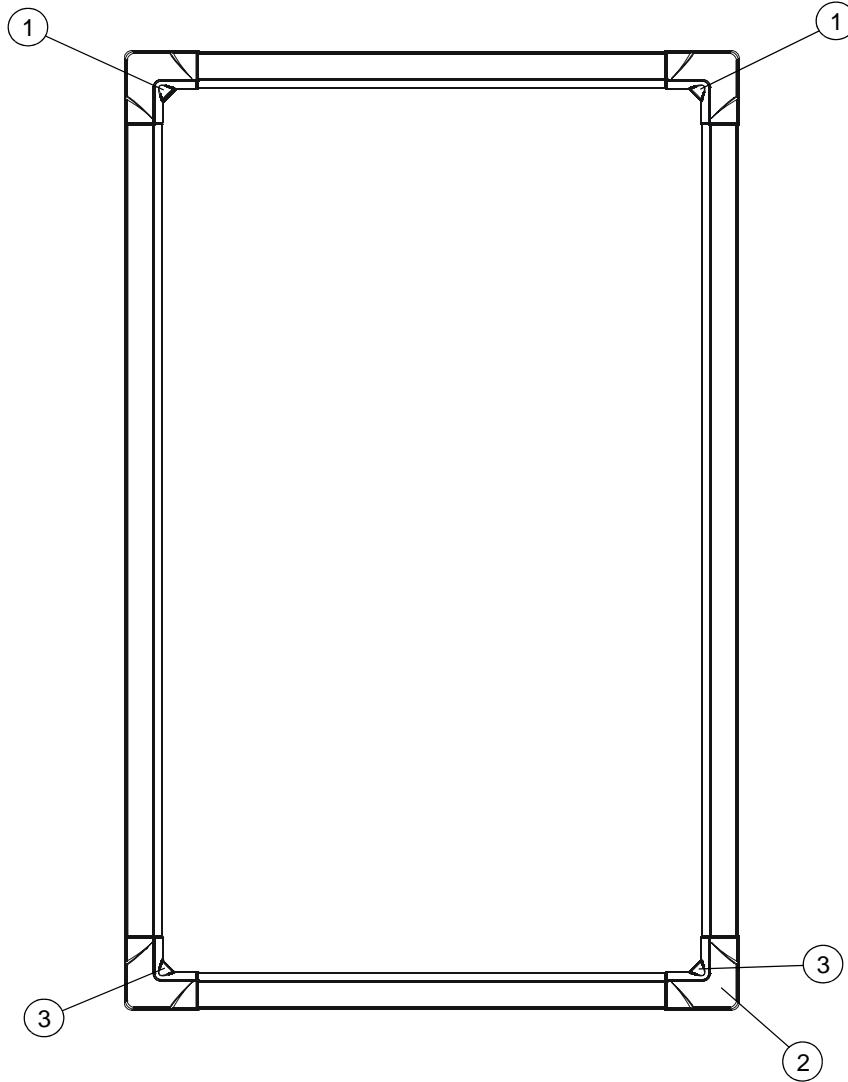
Overview



Item	Part No.	Qty	Description
1	93-051	1	Cable, power, North America, 8' (2.4 m)
1	93-055	1	Cable, power, United Kingdom, 8' (2.4 m)
1	93-056	1	Cable, power, Australia, 8' (2.4 m)
1	93-063	1	Cable, power, South Africa, 8' (2.4 m)
1	93-054	1	Cable, power, Europe, 8' (2.4 m)
1	93-00654-20	1	Cable, power, Japan, 8' (2.4 m)
2	FRU-SC8-NPT-x	1	FRU, SC8, master controller assembly, no pen tray version NOTE: Part no. FRU-SC8-NPT-3 for version 3.x firmware, part no. FRU-SC8-NPT-4 for version 4.x firmware. Please contact Technical Support for verification.
3	AK-00064-21	1	Kit, accessory, corner bracket, Actalyst version
4	20-00589-20	1	Assembly, kit, corner brackets, KPN340
4	20-00584-20	1	Assembly, kit, corner brackets, KPA342B
4	20-00585-20	1	Assembly, kit, corner brackets, KPN342C
4	20-00789-20	1	Assembly, kit, corner brackets, KPN342D
4	20-00962-20	1	Assembly, kit, corner brackets, KPR352
4	20-00837-20	1	Assembly, kit, corner brackets, KPN357

4	20-00899-20	1	Assembly, kit, corner brackets, KPA358
4	20-00723-20	1	Assembly, kit, corner brackets, KPL360C
4	20-00826-20	1	Assembly, kit, corner brackets, KPN360
4	20-00917-20	1	Assembly, kit, corner brackets, KPN360B
4	20-00831-20	1	Assembly, kit, corner brackets, KPP360
4	20-00703-20	1	Assembly, kit, corner brackets, KPN361B
4	20-00722-20	1	Assembly, kit, corner brackets, KPP361
4	20-00552-20	1	Assembly, kit, corner brackets, KPG363
4	20-00692-20	1	Assembly, kit, corner brackets, KPA365
4	20-01002-20	1	Assembly, kit, corner brackets, KPN365
4	20-00815-20	1	Assembly, kit, corner brackets, KPR365
5	20-00365-01	1	Packaging, KPN340
5	20-00367-01	1	Packaging, KPA342B, KPN342C, KPN342D
5	20-00941-20	1	Packaging, KPR352
5	20-00833-00	1	Packaging, KPN357
5	20-00372-00	1	Packaging, KPA358, KPL360C, KPN360, KPN360B, KPN361B, KPP360, KPP361
5	20-00373-00	1	Packaging, KPG363
5	20-00719-00	1	Packaging, KPA365, KPN365, KPR365

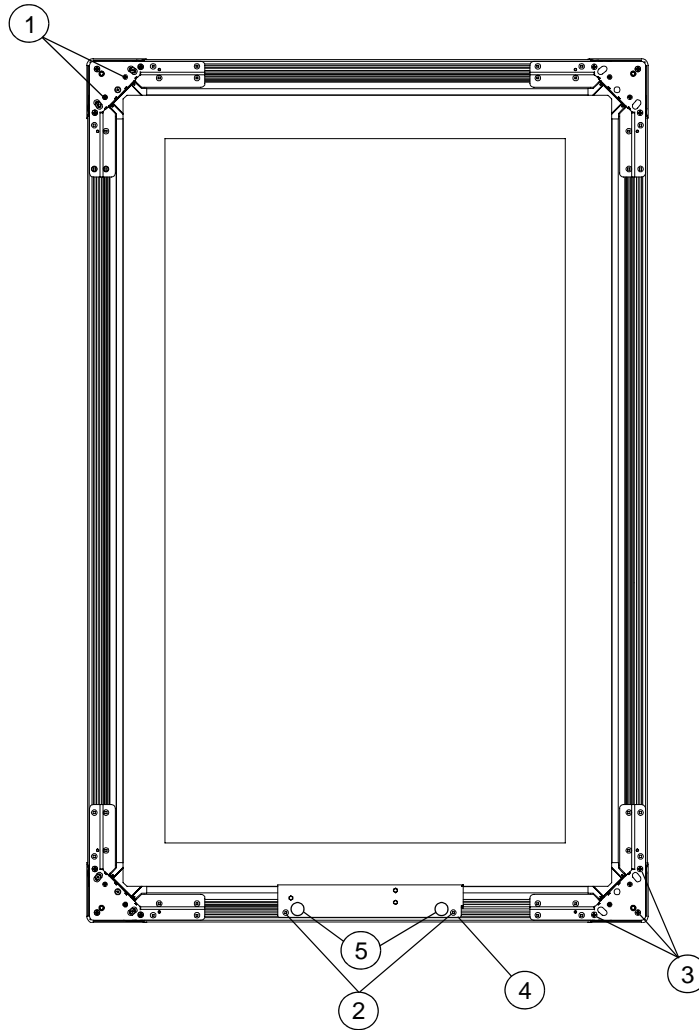
Front View of Interactive Overlay



Item	Part No.	Qty	Description
1	FRU-DV-CAMx-y	2	FRU, camera, DVIT NOTE: Call Technical Support for firmware version verification.
2	52-00153-00	4	Corner cap, outer, silver
3	26-00078-20	2	Circuit card, LED, corner
4	FRU-LED-1L	2	FRU, LED replacement strip, long, KPN340
5	FRU-LED-1S	1	FRU, LED replacement strip, short, KPN340
4	FRU-LED-3L	2	FRU, LED replacement strip, long, KPA342B, KPN342C, KPN342D
5	FRU-LED-3S	1	FRU, LED replacement strip, short, KPA342B, KPN342C, KPN342D
4	FRU-LED-15L	2	FRU, LED replacement strip, long, KPR352
5	FRU-LED-15S	1	FRU, LED replacement strip, short, KPR352
4	FRU-LED-14L	2	FRU, LED replacement strip, long, KPN357
5	FRU-LED-14S	1	FRU, LED replacement strip, short, KPN357

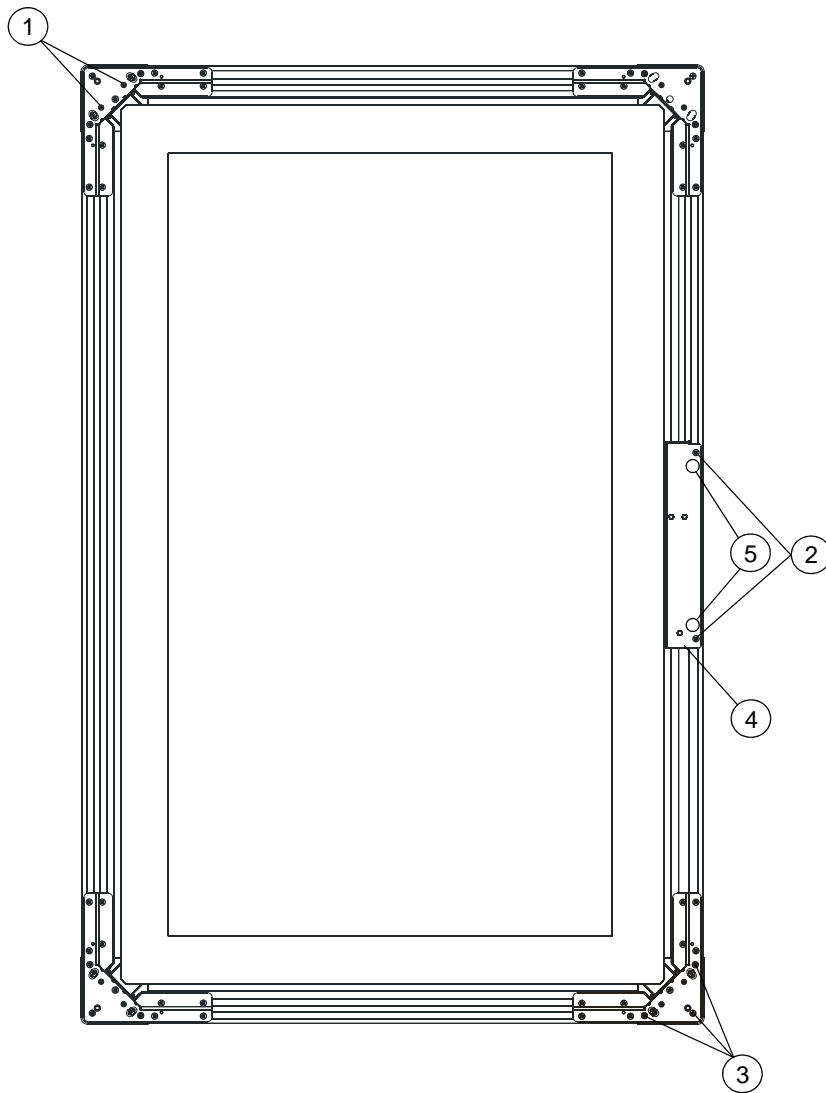
4	FRU-LED-8L	2	FRU, LED replacement strip, long, KPA358, KPL360C, KPN360, KPN360B, KPN361B, KPP360, KPP361
5	FRU-LED-8S	1	FRU, LED replacement strip, short, KPA358, KPL360C, KPN360, KPN360B, KPN361B, KPP360, KPP361
4	FRU-LED-9L	2	FRU, LED replacement strip, long, KPG363
5	FRU-LED-9S	1	FRU, LED replacement strip, short, KPG363
4	FRU-LED-11L	2	FRU, LED replacement strip, long, KPA365, KPN365, KPR365
5	FRU-LED-11S	1	FRU, LED replacement strip, short, KPA365, KPN365, KPR365
6	93-00445-20	1	Cable, MOD8 to MOD8, 4'4" (1.3 m), KPN340 NOTE: Connects camera (2) to the hub.
7	93-00446-20	1	Cable, MOD8 to MOD8, 2' (61 cm), KPN340 NOTE: Connects camera (1) to the hub.
6	93-00355-20	1	Cable, MOD8 to MOD8, 4'7" (1.4 m), KPA342B, KPN342C, KPN342D NOTE: Connects camera (2) to the hub.
7	93-00353-20	1	Cable, MOD8 to MOD8, 2'3" (66 cm), KPA342B, KPN342C, KPN342D NOTE: Connects camera (1) to the hub.
6	93-00531-20	2	Cable, MOD8 to MOD8, 6'2" (1.9 m), KPR352 NOTE: Connects both cameras to the hub.
6	93-00374-20	2	Cable, MOD8 to MOD8, 6'6" (2.0 m), KPN357 NOTE: Connects both cameras to the hub.
6	93-00367-20	1	Cable, MOD8 to MOD8, 6' (1.8 m), KPA358, KPL360C, KPN360, KPN360B, KPN361B, KPP360, KPP361, KPG363 NOTE: Connects camera (2) to the hub.
7	93-00384-20	1	Cable, MOD8 to MOD8, 2'11" (88 cm), KPA358, KPL360C, KPN360, KPN360B, KPN361B, KPP360, KPP361, KPG363 NOTE: Connects camera (1) to the hub.
6	93-00531-20	1	Cable, MOD8 to MOD8, 6'2" (1.9m), KPA365, KPN365, KPR365 NOTE: Connects camera (2) to the hub.
7	93-00370-20	1	Cable, MOD8 to MOD8, 3'3 (1.0 m), KPA365, KPN365, KPR365 NOTE: Connects camera (1) to the hub.

Back View of Interactive Overlay - KPR352, KPN357



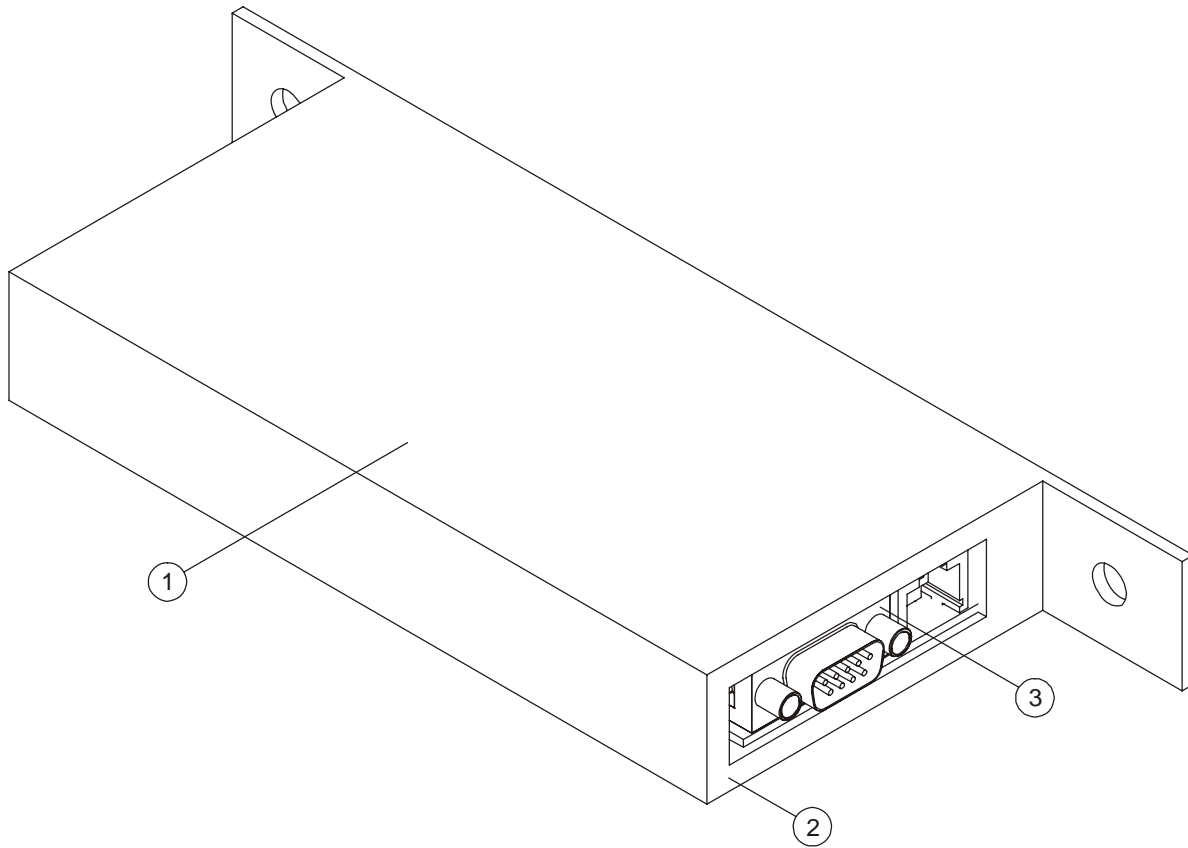
Item	Part No.	Qty	Description
1	30-00885	8	Screw, 8-32 x 3/8", Phillips, flat, undercut NOTE: For attaching cameras.
2	30-00653-20	2	Screw, 10-32 x 3/8", square recess, flat head NOTE: For attaching hub.
3	30-00719-20	12	Screw, No. 10 x 3/4", Phillips, flat head, for plastics NOTE: For attaching corner caps.
4	FRU-DV-HUB1	1	FRU, hub, assembly
5	30-00667	10	Nut, knob, 8-32, Sigma 2 NOTE: For attaching controller and corner brackets.

Back View of Interactive Overlay - KPN340, KPA342B, KPN342C, KPN342D, KPA358, KLP360C, KPN360, KPN360B, KPP360, KPN361B, KPP361, KPG363, KPA365, KPN365, KPR365



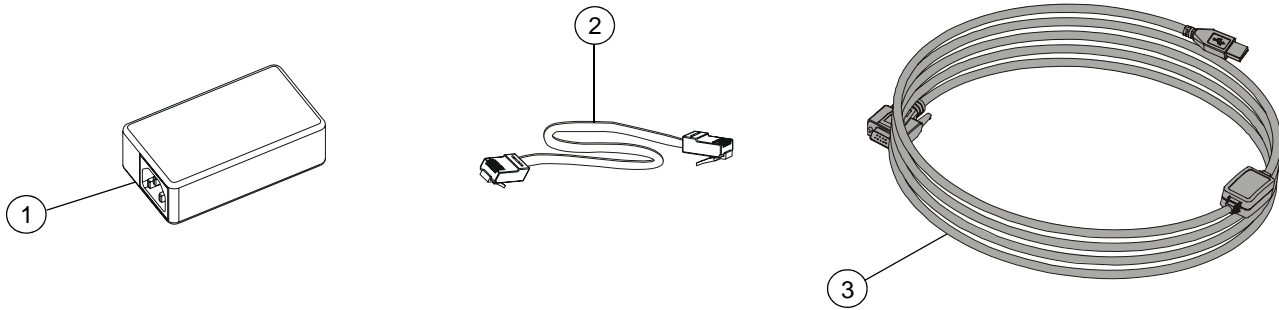
Item	Part No.	Qty	Description
1	30-00885	8	Screw, 8-32 x 3/8", Phillips, flat, undercut NOTE: For attaching cameras.
2	30-00653-20	2	Screw, 10-32 x 3/8", square recess, flat head NOTE: For attaching hub.
3	30-00719-20	12	Screw, No. 10 x 3/4", Phillips, flat head, for plastics NOTE: For attaching corner caps.
4	FRU-DV-HUB1	1	FRU, hub, assembly
5	30-00667	10	Nut, knob, 8-32, Sigma 2 NOTE: For attaching controller and corner brackets.

No Pen Tray Version Master Controller Assembly SC8 FRU (Part No. FRU-SC8-NPT-x)



Item	Part No.	Qty	Description
1	51-00175-01	1	Housing, bottom, controller
2	51-00174-00	1	Housing, top, controller NOTE: Attaches with 2 pieces of part number 30-00731-20.
3	FRU-DV-SC8-x	1	FRU, replacement serial controller NOTE: Please contact Technical Support for firmware version verification. Attaches with 3 pieces of part number 30-00731-20.
Not shown	30-00731-20	5	Screw, 4-40 x 1/4", Phillips, pan head
Not shown	FRU-SC8-NPT-x	1	FRU, SC8, master controller assembly, no pen tray version NOTE: Includes all of the parts listed above in assembled form. Part no. FRU-SC8-NPT-3 for version 3.x firmware, part no. FRU-SC8-NPT-4 for version 4.x firmware. Please contact Technical Support for verification.

Actalyst Version Corner Bracket Accessory Kit (Part No. AK-00064-21)



Item	Part No.	Qty	Description
1	60-00051-20	1	Power supply, 12V DC, 5.0A, universal switching
2	93-00424-20	1	Cable, MOD8 to MOD8, 16" (40.6 cm), hub to controller
3	93-00583-21	1	Cable, USB, DB9 female to USB, 25' (7.6 m) NOTE: Does not provide power.

