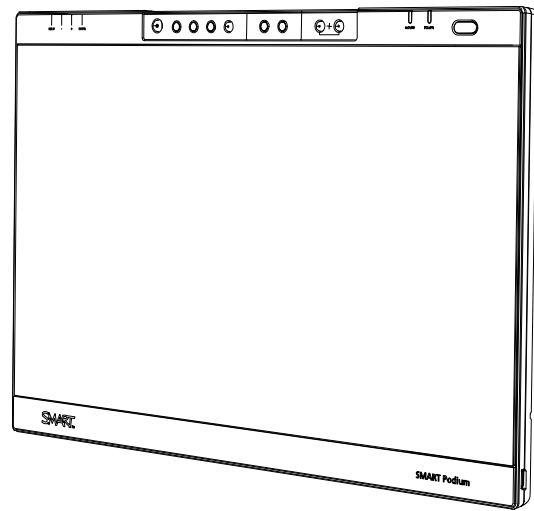


# SMART<sup>®</sup>



## *Service Parts Diagrams*

**For Model:  
ID422w**

## **Service Parts Diagrams Revision History**

### **Revision 1 - February, 2010**

- New document

### **Revision 2 - September, 2012**

- Change 45-00008-20 to 52-00641-20

### **Revision 3 - January, 2013**

- Change 93-00729-20 to 93-00832-20
- Change 93-00728-20 to 93-00833-20
- Change 93-00730-20 to 93-00834-20

### **Standard Warranty Terms**

Base product: Two-year limited equipment warranty

First Customer Ship: September, 2009

---

#### **SMART Technologies**

3636 Research Road NW  
Calgary, AB T2L 1Y1  
CANADA

Support +1.403.228.5940 or Toll Free 1.866.518.6791 (Canada/U.S.)

Support Fax +1.403.806.1256

[www.smarttech.com/contactserviceparts](http://www.smarttech.com/contactserviceparts) [www.smarttech.com](http://www.smarttech.com)

The SMART logo consists of the word "SMART" in a bold, stylized, sans-serif font. The letters are black with a white outline, and a registered trademark symbol (®) is located at the bottom right of the letter "T".

© 2013 SMART Technologies ULC. All rights reserved. SMART Board, smarttech and the SMART logo are trademarks or registered trademarks of SMART Technologies ULC in the U.S. and/or other countries. All other third-party product and company names are for identification purposes only and may be trademarks of their respective owners. Contents are subject to change without notice. 01/2013.

# Service Parts Diagrams for the ID422w

---

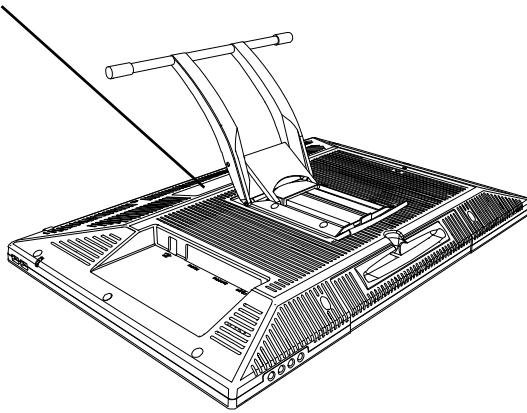
Identifying Your Product Using the Serial Number ..... 1  
Ordering Parts ..... 1  
ID422w Parts ..... 2



## Identifying Your Product Using the Serial Number

To make sure that you have the correct service parts diagrams, you must verify the serial number of your SMART Podium. For model ID422w, the serial number is located on the back of the display, near the bottom, in the middle. An example of the serial number format is shown below.

Serial Number Location



**09HQ000164**

Unique Serial Number

## Ordering Parts

### Customers

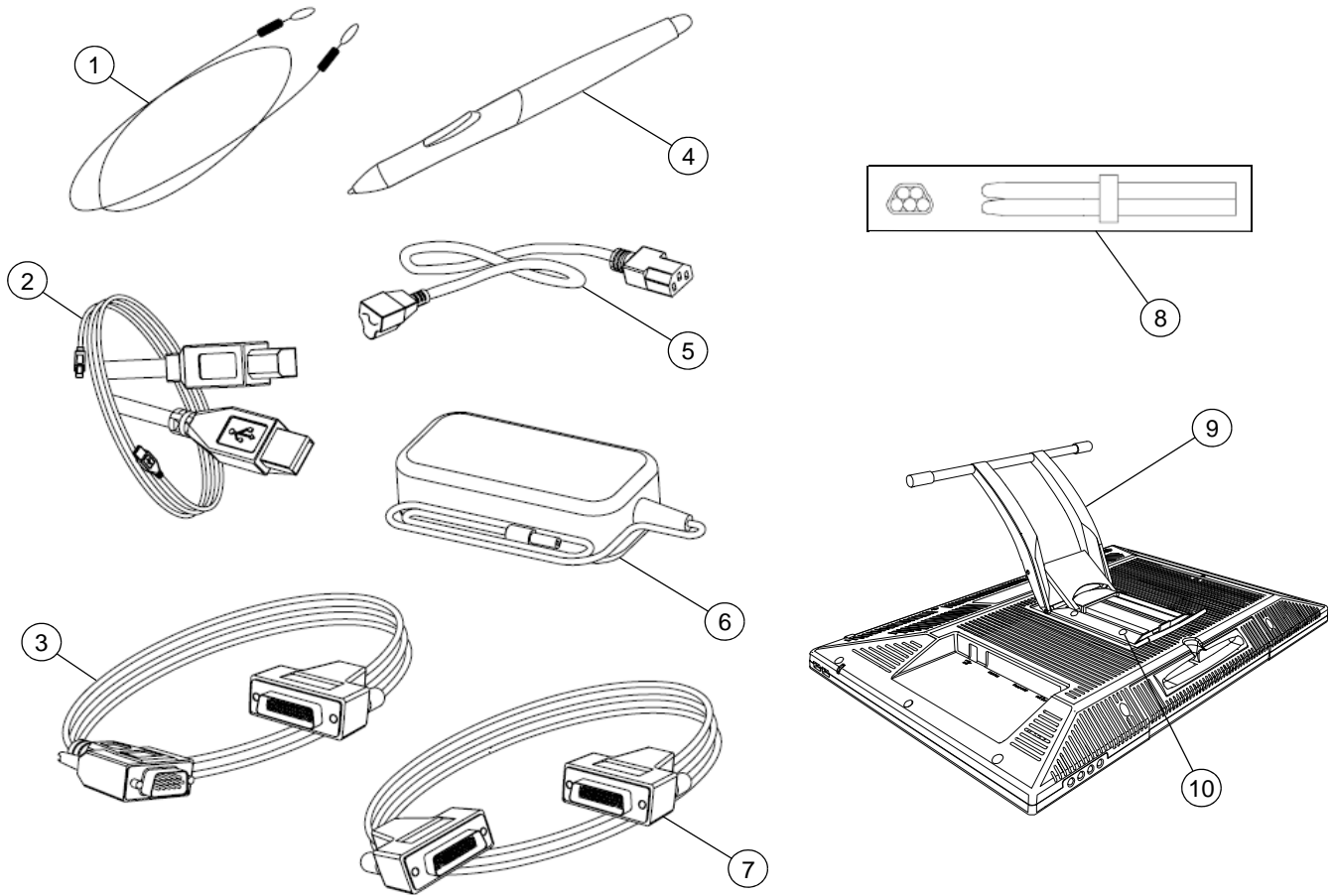
To order any of the parts in these service parts diagrams, contact your local reseller. To find a reseller near you, visit [www.smarttech.com/where](http://www.smarttech.com/where).

### Dealers and Distributors

For specific technical and pricing enquiries in regards to these diagrams please contact our service parts department. Pricing is also available on-line via the SOURCE website ([source.smarttech.com](http://source.smarttech.com)).

Web Form: [www.smarttech.com/contactserviceparts](http://www.smarttech.com/contactserviceparts)  
Phone: 1.888.42.SMART  
International: +1.403.245.0333

# ID422w Parts



Item	Part No.	Qty	Description
1	01-00149	1	Tether, pen, SSID250, SSID350, SSID370, ID422w, WS100 and WS200
2	93-00832-20	1	Cable, USB, A-B, 6' (1.8 m)
3	93-00833-20	1	Cable, video, DVI-A male to HD15 male, 6' (1.8 m)
4	03-00168-20	1	Pen, ID422w <b>NOTE:</b> Includes set of five replacement pen tips.
5	93-051	1	Cable, power, North America, 8' (2.4 m)
5	93-055	1	Cable, power, United Kingdom, 8' (2.4 m)
5	93-00654-20	1	Cable, power, Japan, 8' (2.4 m)
5	93-056	1	Cable, power, Australia, 8' (2.4 m)
5	93-063	1	Cable, power, South Africa, 8' (2.4 m)
5	93-054	1	Cable, power, Europe, 8' (2.4 m)
6	60-00036	1	Power supply, 12V DC, 5.0A, universal switching
7	93-00834-20	1	Cable, video, DVI-D male to DVI-D male, 6' (1.8 m)
8	52-00641-20	1	Tip, pen, SSID250, SSID350, SSID370, ID422w, WS100 and WS200, set of five
9	51-00799-20	1	Stand, tilt, ID422w <b>NOTE:</b> Comes attached to the ID422w.
10	30-00712	4	Screw, M3 x 8 mm, Phillips, pan head <b>NOTE:</b> For attaching tilt stand. Comes attached to the ID422w.