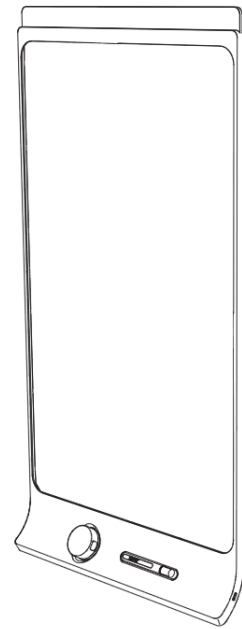


SMART[®]



***Service Parts
Diagrams***

**For Model:
KAPP42**

Service Parts Diagrams Revision History

Revision 1 - December, 2014

- New document

Revision 2 - June, 2015

- Add warranty information for the UK and Europe

Revision 3 - February, 2016

- Revise warranty for North America to one-year and add reference to LATAM and APAC

Standard Warranty Terms

Base product:

North America, UK, LATAM, APAC - One-year limited equipment warranty

Europe - Two-year limited equipment warranty

First Customer Ship: November, 2014

SMART Technologies

3636 Research Road NW

Calgary, AB T2L 1Y1

CANADA

Support +1.403.228.5940 or Toll Free 1.866.518.6791 (Canada/U.S.)

Support Fax +1.403.806.1256

www.smarttech.com/contactserviceparts www.smarttech.com

The SMART logo consists of the word "SMART" in a bold, black, sans-serif font. The letters are slightly stylized, with the 'S' and 'M' having a more rounded appearance. A registered trademark symbol (®) is located at the bottom right of the 'T'.

Service Parts Diagrams for the KAPP42

Identifying Your Product Using the Serial Number 1
Ordering Parts 1
KAPP42 Parts 2

Identifying Your Product Using the Serial Number

To make sure that you have the correct service parts diagrams, you must verify the serial number of your KAPP42. The serial number will be located on the back of the board. An example of the serial number format is shown below.



Ordering Parts

Customers

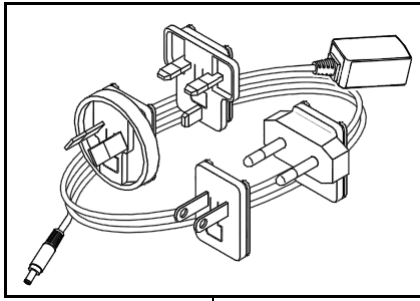
To order any of the parts in these service parts diagrams, contact your local reseller. To find a reseller near you, visit www.smarttech.com/where.

Dealers and Distributors

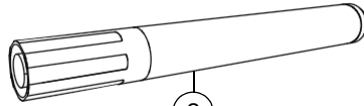
For specific technical and pricing enquiries in regards to these diagrams please contact our service parts department. Pricing is also available on-line via the SOURCE website (source.smarttech.com).

Web Form: www.smarttech.com/contactserviceparts
Phone: 1.888.42.SMART
International: +1.403.245.0333

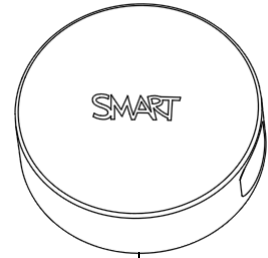
KAPP42 Parts



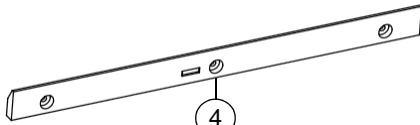
1



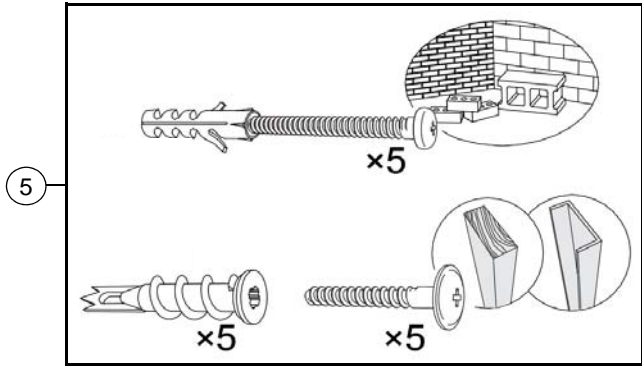
2



3



4



5

Item	Part No.	Qty	Description
1	1024568	1	Power supply kit, 5V DC, 3.0A, universal switching NOTE: Includes plug adapters for North America, Europe, United Kingdom and Australia.
2	RPEN-KAPP	1	Replacement Pens for KAPP - Set of Three
3	RERASER-KAPP42	1	Replacement Eraser for KAPP42
4	1024560	1	Assembly, Bracket, Wall Mount, KAPP42
5	1024563	1	Assembly, Mounting Hardware, KAPP42