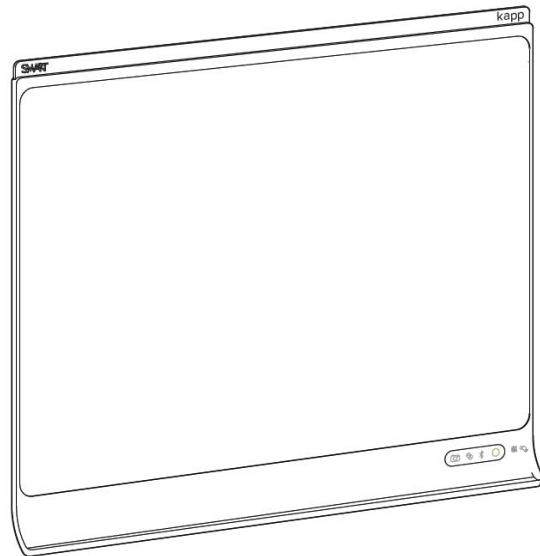


**SMART®**



***Service Parts  
Diagrams***

**For Model:  
KAPP84**

# Service Parts Diagrams Revision History

## Revision 1 - June, 2015

- New document

## Revision 2 - February, 2016

- Revise warranty for North America to one-year

## Standard Warranty Terms

Base product:

North America, UK, LATAM, APAC - One-year limited equipment warranty

Europe - Two-year limited equipment warranty

First Customer Ship: May, 2015

---

### SMART Technologies

3636 Research Road NW

Calgary, AB T2L 1Y1

CANADA

Support +1.403.228.5940 or Toll Free 1.866.518.6791 (Canada/U.S.)

Support Fax +1.403.806.1256

[www.smarttech.com/contactserviceparts](http://www.smarttech.com/contactserviceparts) [www.smarttech.com](http://www.smarttech.com)

The SMART logo consists of the word "SMART" in a bold, stylized, sans-serif font. The letters are black with a white outline, and a registered trademark symbol (®) is located at the bottom right of the letter "T".

© 2016 SMART Technologies ULC. All rights reserved. SMART Board, smarttech and the SMART logo are trademarks or registered trademarks of SMART Technologies ULC in the U.S. and/or other countries. All other third-party product and company names are for identification purposes only and may be trademarks of their respective owners. Contents are subject to change without notice. 02/2016.

# Service Parts Diagrams for the KAPP84

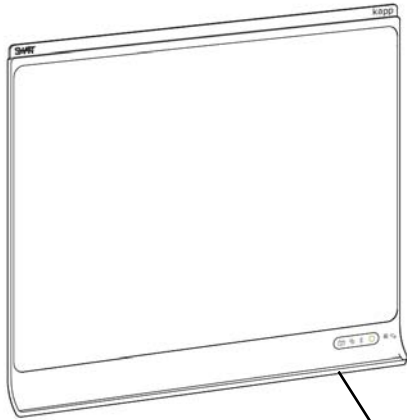
---

Identifying Your Product Using the Serial Number ..... 1  
Ordering Parts ..... 1  
KAPP84 Parts ..... 2



## Identifying Your Product Using the Serial Number

To make sure that you have the correct service parts diagrams, you must verify the serial number of your KAPP84. The serial number is located on the bottom bezel on the right hand side. An example of the serial number format is shown below.



**G012HW16Z0035**

Unique Serial Number

## Ordering Parts

### Customers

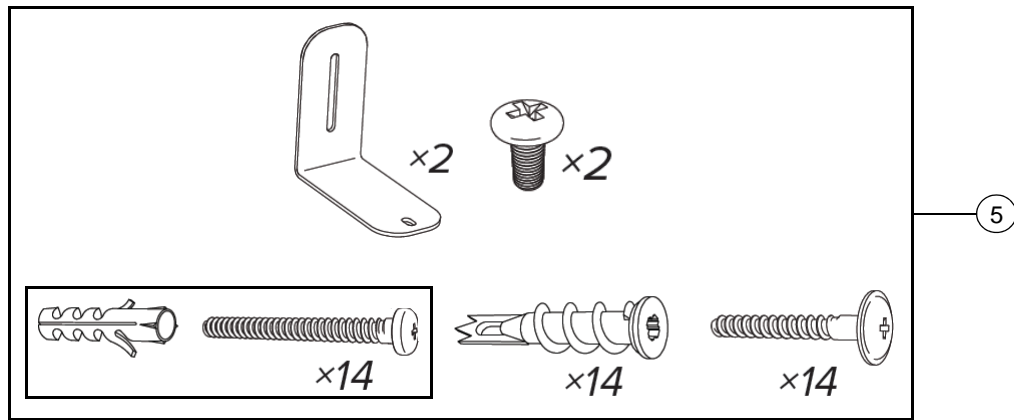
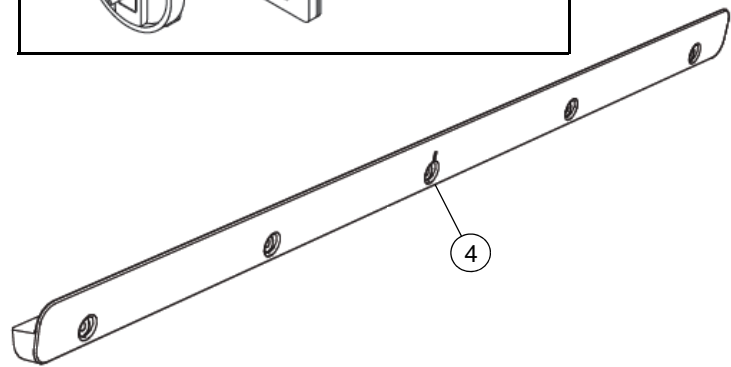
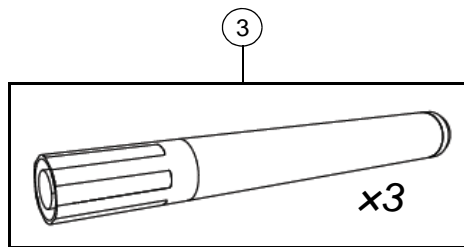
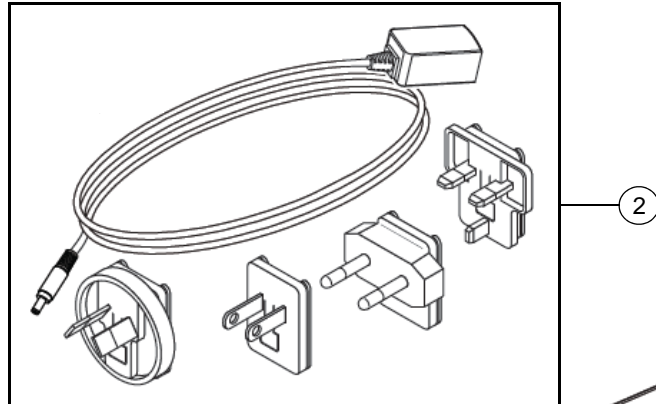
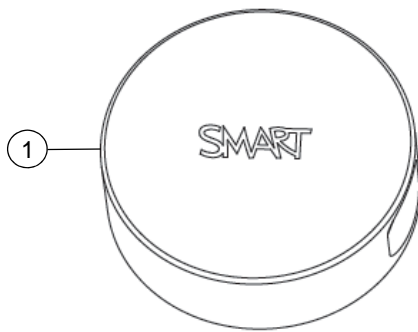
To order any of the parts in these service parts diagrams, contact your local reseller. To find a reseller near you, visit [www.smarttech.com/where](http://www.smarttech.com/where).

### Dealers and Distributors

For specific technical and pricing enquiries in regards to these diagrams please contact our service parts department. Pricing is also available on-line via the SOURCE website ([source.smarttech.com](http://source.smarttech.com)).

Web Form: [www.smarttech.com/contactserviceparts](http://www.smarttech.com/contactserviceparts)  
Phone: 1.888.42.SMART  
International: +1.403.245.0333

# KAPP84 Parts



Item	Part No.	Qty	Description
1	RERASER-KAPP84	1	Replacement Eraser for KAPP84
2	1026779	1	Power supply kit, 5V DC, 3.0A, universal switching <b>NOTE:</b> Includes plug adapters for North America, Europe, United Kingdom and Australia.
3	RPEN-KAPP	2	Replacement Pens for KAPP - Set of Three
4	1009826	1	Bracket, Wall Mount, Blue, SBX8/SBM6/KAPP84
5	1026347	1	Assembly, mounting hardware, KAPP84