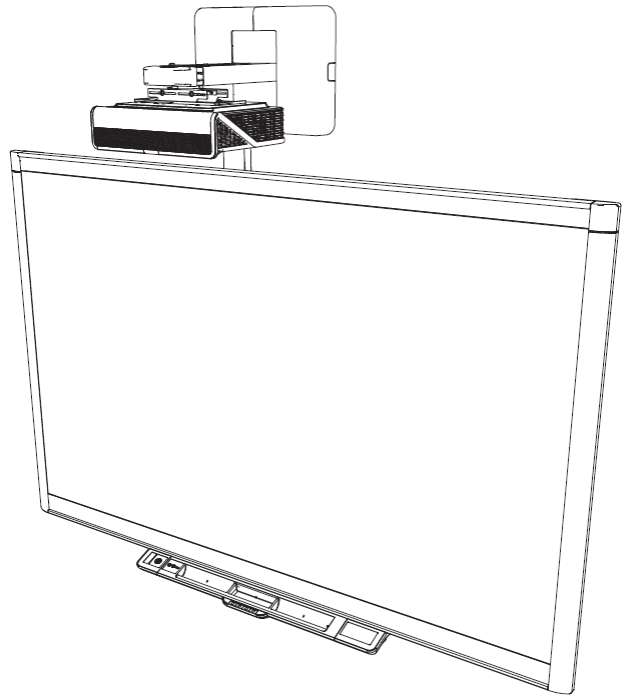


# SMART<sup>®</sup>



## ***Service Parts Diagrams***

**For Model:**

**SB880ix3 revision 2**

**SB885ix3 revision 2**

**Applies only to models with serial numbers with the following format:**

**G012HW25Y0546**

**G012HW29U0152**

# Service Parts Diagrams Revision History

## Revision 1 - August, 2015

- New document

## Standard Warranty Terms

The projector and extended control panel (ECP) have a three-year limited equipment warranty. The U100/U100w projector lamp has a 1000-hour/one-year warranty. Your interactive whiteboard has a two-year limited equipment warranty or a five-year limited equipment warranty upon registration.

First Customer Ship: July, 2015

---

**SMART Technologies**

3636 Research Road NW

Calgary, AB T2L 1Y1

CANADA

Support +1.403.228.5940 or Toll Free 1.866.518.6791 (Canada/U.S.)

Support Fax +1.403.806.1256

[www.smarttech.com/contactserviceparts](http://www.smarttech.com/contactserviceparts) [www.smarttech.com](http://www.smarttech.com)

The SMART logo consists of the word "SMART" in a bold, stylized, sans-serif font. The letters are black with a white outline, and a registered trademark symbol (®) is located at the bottom right of the letter "T".

# Service Parts Diagrams for the SB880ix3 and SB885ix3

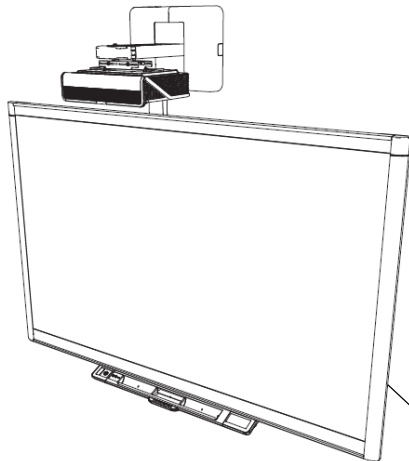
---

|   |   |
|---|---|
| Identifying Your Product Using the Serial Number .....                              | 1 |
| Ordering Parts .....  | 1 |
| U100/U100w Parts .....  | 2 |
| Optional Projector Mounting Hardware Kit Assembly (Part No. 1013576) .....          | 4 |
| Assembly, SB800 Extended Control Panel for U100 and U100w (Part No. 1026837) .....  | 5 |
| Optional Control Cable for SB800 Series (Part No. SBX8-CTRL) .....                  | 6 |
| Optional Video Connector Kit Assembly for SB800 Series (Part No. 20-01496-20) ..... | 6 |
| Optional MCP Moulded RCA Connector Pod Assembly (Part No. 1016404) .....            | 6 |
| SBX880 Parts .....  | 7 |
| SBX885 Parts .....  | 9 |



## Identifying Your Product Using the Serial Number

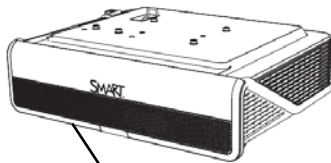
To make sure that you have the correct service parts diagrams, you must verify the serial number of your SB880ix3 or SB885ix3 interactive whiteboard. The SMART Board serial number will be located on the side of the right hand bezel. When mounted, the projector serial number will be visible on the bottom of the projector just below the projector lens. An example of the serial number format is shown below.



SMART Board Serial Number Location

Unique Serial Number

**G012HW25Y0546**  
**G012HW29U0152**



Projector Serial Number Location

Unique Serial Number

**B012HA27U0101**

## Ordering Parts

### Customers

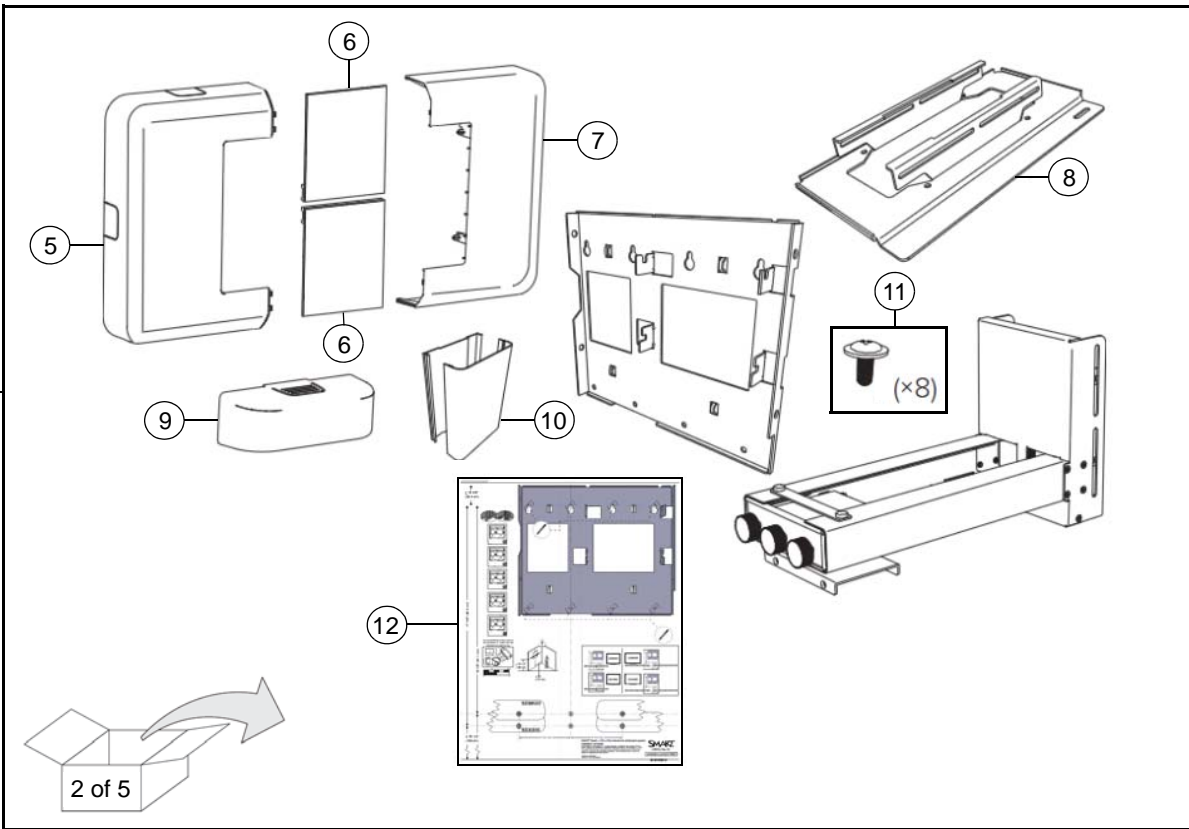
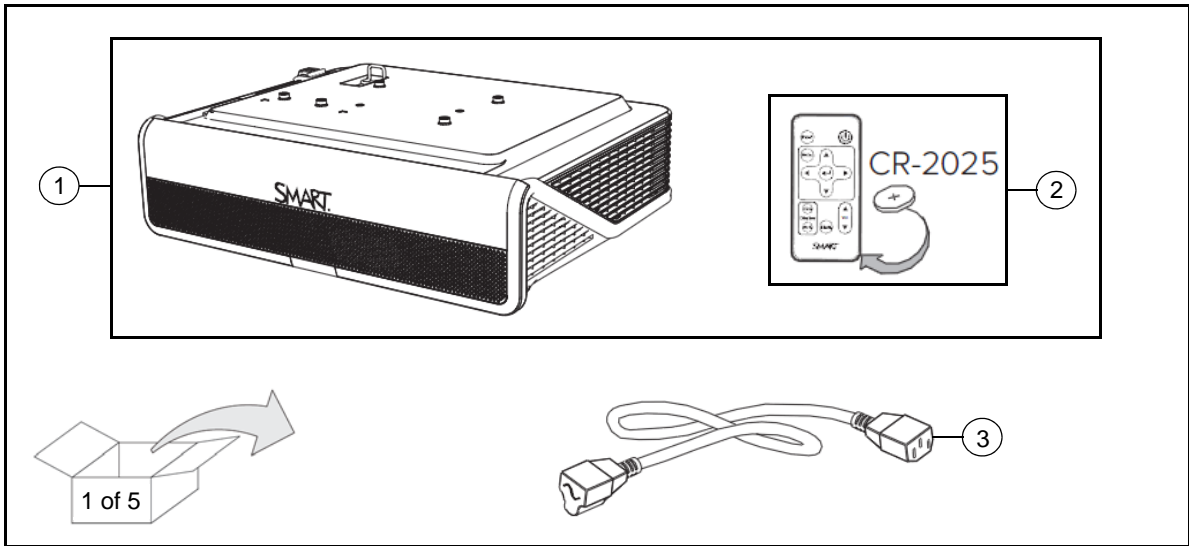
To order any of the parts in these service parts diagrams, contact your local reseller. To find a reseller near you, visit [www.smarttech.com/where](http://www.smarttech.com/where).

### Dealers and Distributors

For specific technical and pricing enquiries in regards to these diagrams please contact our service parts department. Pricing is also available on-line via the SOURCE website ([source.smarttech.com](http://source.smarttech.com)).

Web Form: [www.smarttech.com/contactserviceparts](http://www.smarttech.com/contactserviceparts)  
Phone: 1.888.42.SMART  
International: +1.403.245.0333

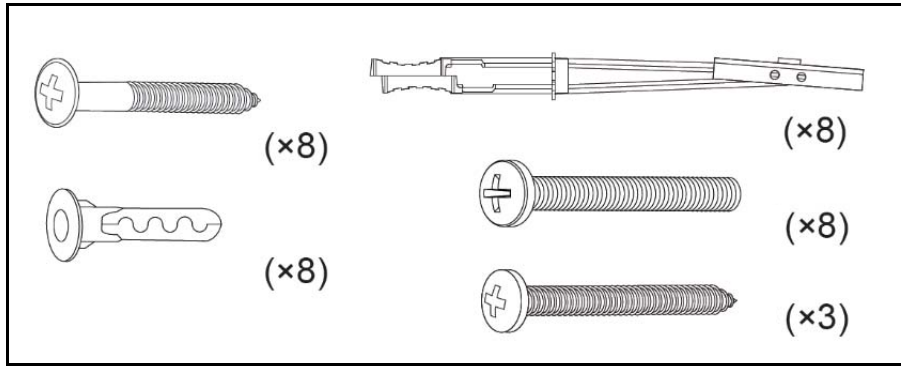
# U100/U100w Parts



| Item | Part No.      | Qty | Description  |
|------|---------------|-----|--|
| 1    | FRU-U100-PJR  | 1   | FRU, U100 projector only<br><b>NOTE:</b> Includes projector and item 2.  |
| 1    | FRU-U100w-PJR | 1   | FRU, U100w projector only<br><b>NOTE:</b> Includes projector and item 2. |

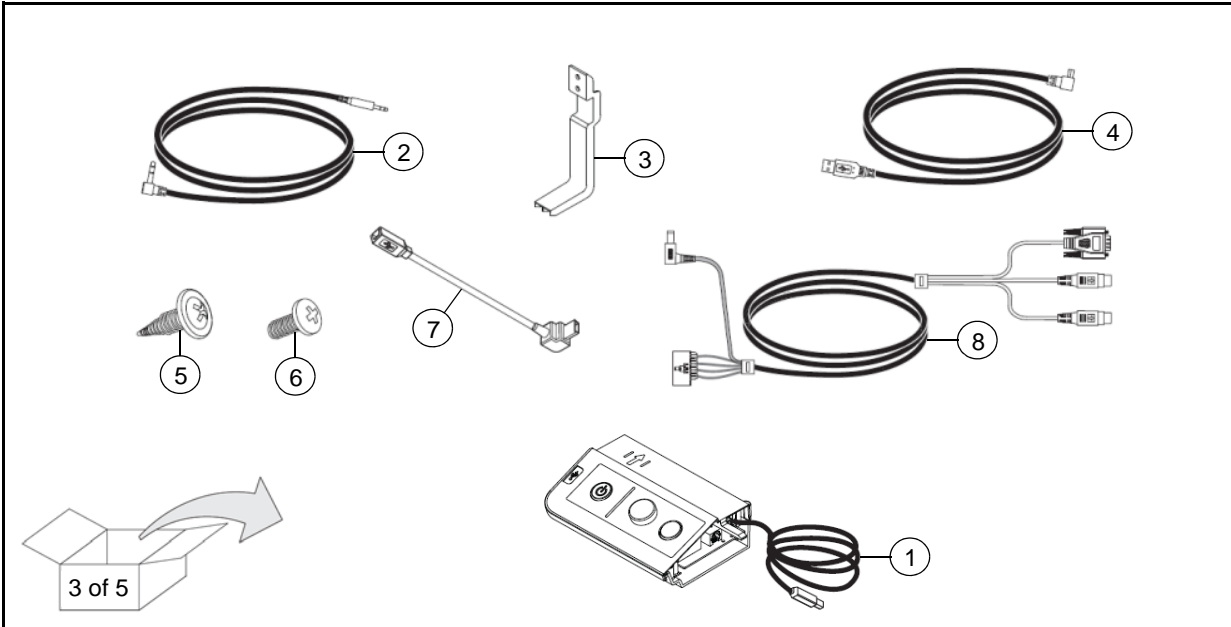
|           |             |   |   |
|-----------|-------------|---|---|
| 2         | 03-00131-20 | 1 | Remote control<br><b>NOTE: Battery not included with replacement remotes.</b>   |
| 3         | 93-00630-20 | 1 | Cable, power, North America, 14' 9" (4.5 m)   |
| 3         | 93-00632-20 | 1 | Cable, power, United Kingdom, 14' 9" (4.5 m)  |
| 3         | 93-00631-20 | 1 | Cable, power, Europe, 14' 9" (4.5 m)  |
| 3         | 93-00629-20 | 1 | Cable, power, Australia, 14' 9" (4.5 m)   |
| 3         | 93-00634-20 | 1 | Cable, power, Japan, 14' 9" (4.5 m)   |
| 3         | 93-00633-20 | 1 | Cable, power, China, 14' 9" (4.5 m)   |
| 3         | 1018970     | 1 | Cable, power, India, 14' 9" (4.5 m)   |
| 3         | 1018971     | 1 | Cable, power, Saudi Arabia, 14' 9" (4.5 m)  |
| 3         | 1018972     | 1 | Cable, power, Brazil, 14' 9" (4.5 m)  |
| 3         | 1025603     | 1 | Cable, power, Chile and Italy, 14' 9" (4.5 m)   |
| 4         | 1026830     | 1 | Assembly, mounting system, U100-U100w projection system   |
| 5         | 1027020     | 1 | Wall cover, left, mounting system, projector, U100-U100w  |
| 6         | 1027022     | 2 | Assembly, cover, boom arm slot, mounting system, projector, U100-U100w  |
| 7         | 1027019     | 1 | Wall cover, right, mounting system, projector, U100-U100w   |
| 8         | 1027057     | 1 | Projector holder plate, projector mounting system, U100-U100w   |
| 9         | 1027021     | 1 | Cap, end, boom arm, mounting system, projector, U100-U100w  |
| 10        | 1027009     | 1 | Cable channel kit for U100-U100w projector  |
| 11        | 1027086     | 1 | Hardware, projector attachment, U100-U100w<br><b>NOTE:</b> Used to attach the projector holder plate to the projector and to attach the projector holder plate to the boom arm.                         |
| 12        |             | 1 | Mounting template, projector, U100-U100w, SB8 and SBM6 boards<br><b>NOTE:</b> Can be downloaded via the following link:<br><a href="http://www.smarttech.com/kb/170887">www.smarttech.com/kb/170887</a> |
| Not shown | 1026952     | 1 | Replacement lamp for U100 and U100w projectors  |
| Not shown | 1027015     | 1 | Hardware, boom attachment, U100-U100w<br><b>NOTE:</b> Used to attach the wall plate to the boom arm.  |

**Optional Projector Mounting Hardware Kit Assembly (Part No. 1013576)**





## Assembly, SB800 Extended Control Panel for U100 and U100w (Part No. 1026837)

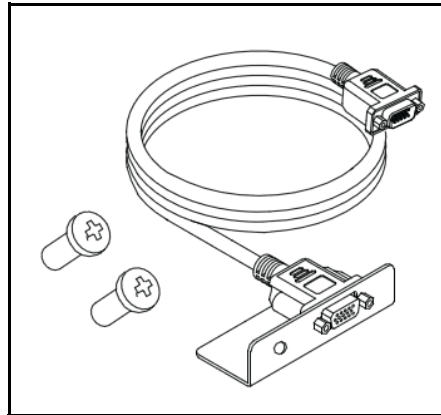


| Item | Part No.            | Qty | Description   |
|------|---------------------|-----|---|
| 1    | FRU-MODULE-ECP-SBX8 | 1   | FRU, extended control panel pen tray module, SBX8                   |
| 2    | 1019686             | 1   | Cable, audio, right angle 3.5 mm male to 3.5 mm male, 13'5" (4.1 m) |
| 3    | 52-00731-20         | 1   | Bracket, support, master control panel (MCP)                        |
| 4    | 93-00807-20         | 1   | Cable, right angle USB Mini-B to USB A, 16' 5" (5.0 m)              |
| 5    | 30-00934            | 2   | Screw, No. 8 x 5/16", trim, Phillips, wafer head                    |
| 6    | 30-01343-20         | 2   | Screw, No. 4 x 3/8", Phillips, pan head, for plastics               |
| 7    | 1016373             | 1   | Cable, right angle USB Mini-B to USB B, 6" (15 cm)                  |
| 8    | 93-00815-21         | 1   | Cable, harness, master control panel (MCP), 9' 6" (2.9 m)           |

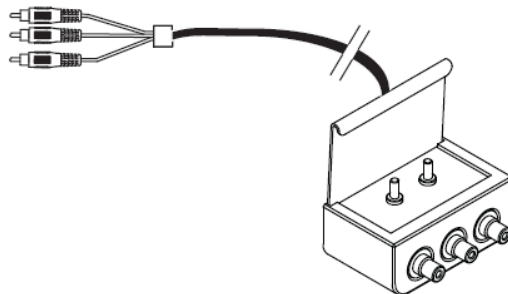
**Optional Control Cable for SB800 Series (Part No. SBX8-CTRL)**



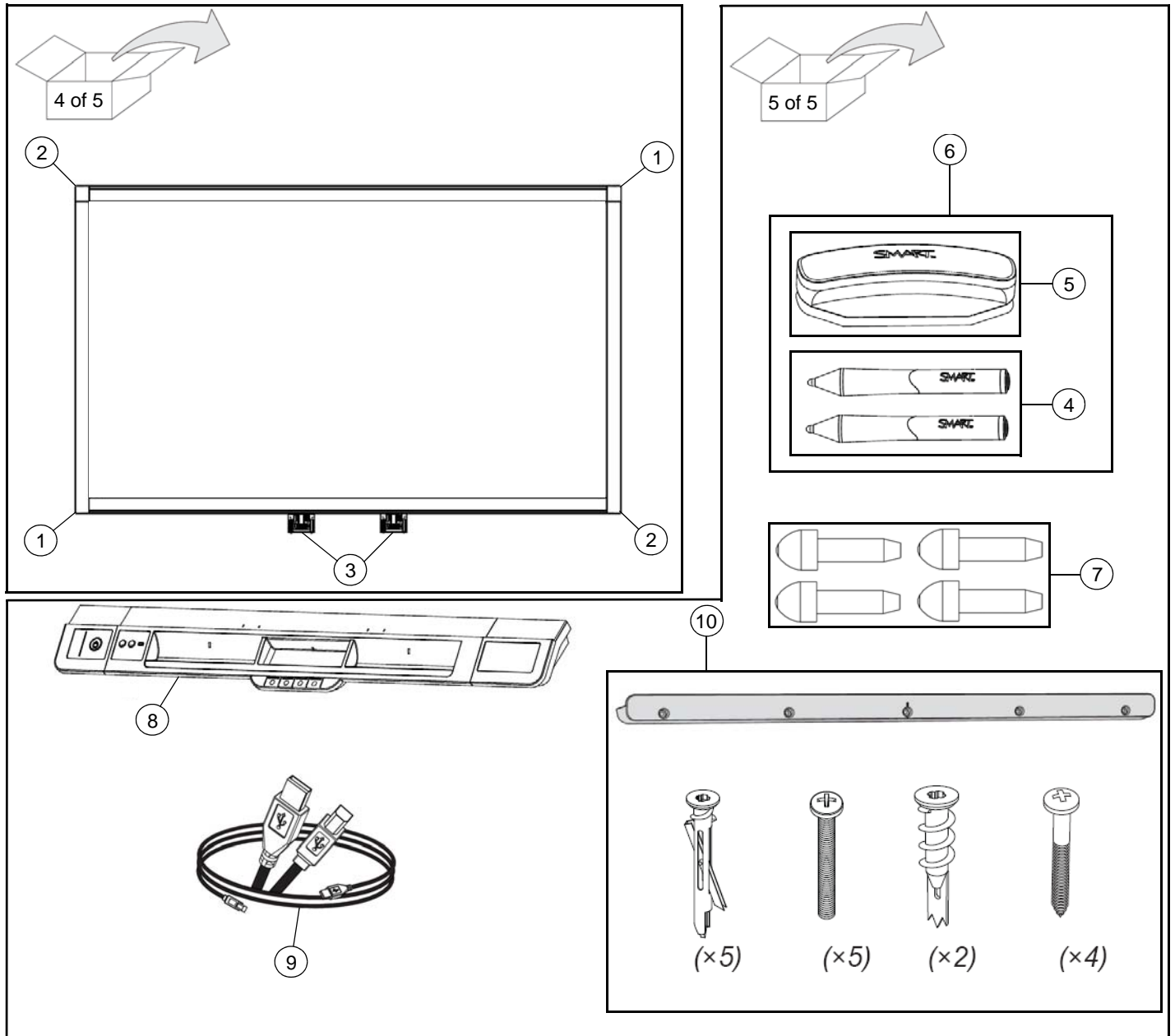
**Optional Video Connector Kit Assembly for SB800 Series (Part No. 20-01496-20)**



**Optional MCP Moulded RCA Connector Pod Assembly (Part No. 1016404)**



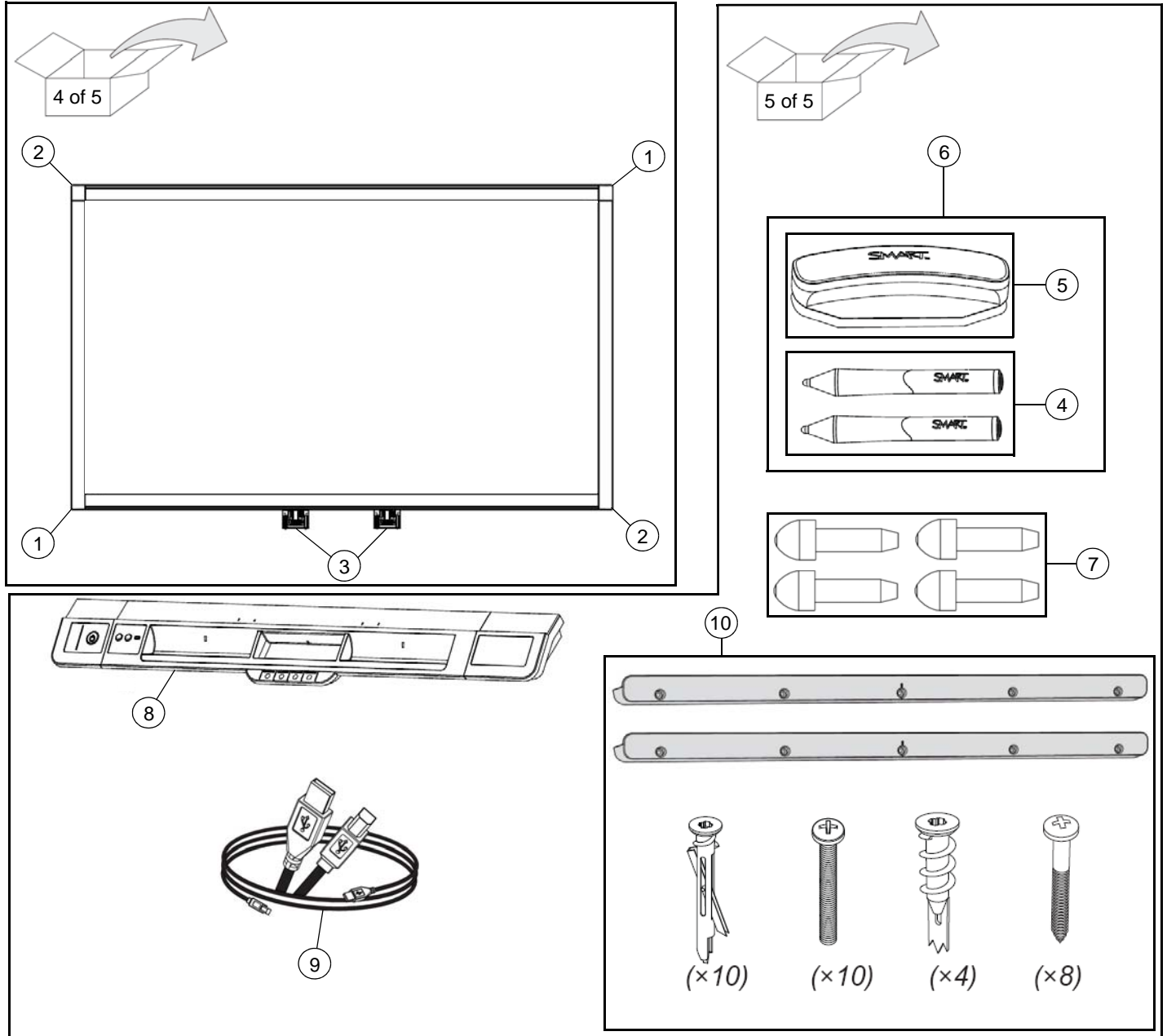
# SBX880 Parts



| Item | Part No.          | Qty | Description   |
|------|-------------------|-----|---|
| 1    | FRU-CAM2-SBX880-A | 2   | FRU, camera A, revision 2, SBX880, position 0 and 2   |
| 2    | FRU-CAM2-SBX880-B | 2   | FRU, camera B, revision 2, SBX880, position 1 and 3   |
| 3    | 51-00817-20       | 2   | Bracket, mounting, pen tray   |
| 4    | RPEN-SBX8         | 1   | Replacement Pens for SMART Board X800 Series for Education - Set of Two<br><b>NOTE:</b> These pens are designed for education users and are wider and lighter than the business pens. The education pens can be identified by a flat plastic end cap. |
| 5    | RERASER-SBX8      | 1   | Replacement Eraser for SMART Board X800 Series  |

|           |              |   |   |
|-----------|--------------|---|---|
| 6         | RPEN-ER-SBX8 | 1 | Replacement Pens and Eraser for SMART Board X800 Series for Education - Set of Two Pens<br><b>NOTE:</b> This kit contains the education version of the pens which are wider and lighter than the business pens. The education pens can be identified by a flat plastic end cap. |
| 7         | FRU-NIB-SBX8 | 1 | Replacement Nibs for SBX8 Pen - Set of Four   |
| 8         | FRU-PT14-2   | 1 | FRU, pen tray, PT14, revision 2   |
| 9         | 93-00828-20  | 1 | Cable, USB, A-B, 16' (5.0 m), SBX8  |
| 10        | FRU-SBX8WM   | 1 | FRU, SBX8, wall mounting kit  |
| Not shown | 1013718      | 1 | Cable, harness, pen tray to cameras, SBX880<br><b>NOTE:</b> Connects camera 0, 1, 2, and 3 to the pen tray.   |

# SBX885 Parts



| Item | Part No.          | Qty | Description   |
|------|-------------------|-----|---|
| 1    | FRU-CAM2-SBX885-A | 2   | FRU, camera A, revision 2, SBX885, position 0 and 2   |
| 2    | FRU-CAM2-SBX885-B | 2   | FRU, camera B, revision 2, SBX885, position 1 and 3   |
| 3    | 51-00817-20       | 2   | Bracket, mounting, pen tray   |
| 4    | RPEN-SBX8         | 1   | Replacement Pens for SMART Board X800 Series for Education - Set of Two<br><b>NOTE:</b> These pens are designed for education users and are wider and lighter than the business pens. The education pens can be identified by a flat plastic end cap. |
| 5    | RERASER-SBX8      | 1   | Replacement Eraser for SMART Board X800 Series  |

|           |              |   |   |
|-----------|--------------|---|---|
| 6         | RPEN-ER-SBX8 | 1 | Replacement Pens and Eraser for SMART Board X800 Series for Education - Set of Two Pens<br><b>NOTE:</b> This kit contains the education version of the pens which are wider and lighter than the business pens. The education pens can be identified by a flat plastic end cap. |
| 7         | FRU-NIB-SBX8 | 1 | Replacement Nibs for SBX8 Pen - Set of Four   |
| 8         | FRU-PT14-2   | 1 | FRU, pen tray, PT14, revision 2   |
| 9         | 93-00828-20  | 1 | Cable, USB, A-B, 16' (5.0 m), SBX8  |
| 10        | FRU-SBX8WM   | 2 | FRU, SBX8, wall mounting kit  |
| Not shown | 1013719      | 1 | Cable, harness, pen tray to cameras, SBX885<br><b>NOTE:</b> Connects camera 0, 1, 2, and 3 to the pen tray.   |