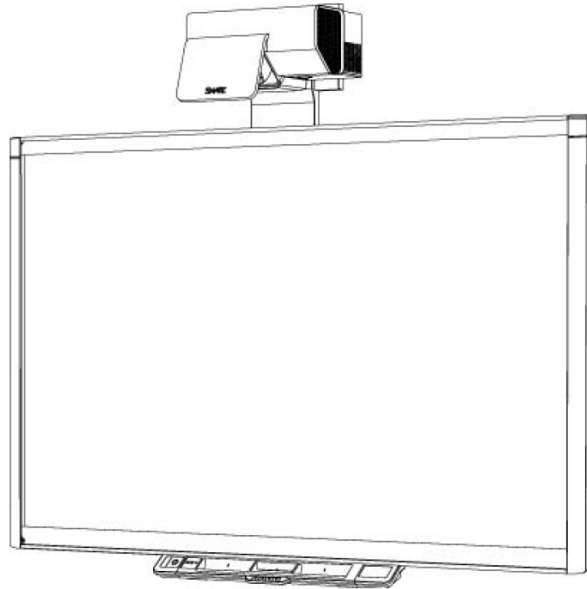


# SMART<sup>®</sup>



## *Service Parts Diagrams*

**For Model:  
SB885ix-SMP revision 2**

**Applies only to models with serial numbers that are within  
the following range:**

**SBB885-H2/M2-A000001 to SBB885-H2/M2-A999999**

## Service Parts Diagrams Revision History

### Revision 1 - February, 2012

- New document

### Revision 2 - November, 2012

- Remove FRU camera notes

### Revision 3 - October, 2013

- Change 1017525 to GW-MPPE

### Standard Warranty Terms

The projector and ECP have a three-year limited equipment warranty. The UX60 projector lamp has a 1000 hour/one year warranty. Your interactive whiteboard has a two-year limited equipment warranty or a five-year limited equipment warranty upon registration.

First Customer Ship: April, 2012

---

#### SMART Technologies

3636 Research Road NW

Calgary, AB T2L 1Y1

CANADA

Support +1.403.228.5940 or Toll Free 1.866.518.6791 (Canada/U.S.)

Support Fax +1.403.806.1256

[www.smarttech.com/contactserviceparts](http://www.smarttech.com/contactserviceparts) [www.smarttech.com](http://www.smarttech.com)



# Service Parts Diagrams for the SB885ix-SMP

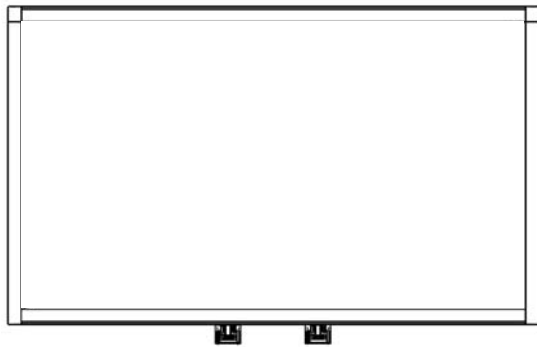
---

Identifying Your Product Using the Serial Number ..... 1  
Ordering Parts ..... 1  
UX60 Parts ..... 2  
SB885 Parts ..... 4



## Identifying Your Product Using the Serial Number

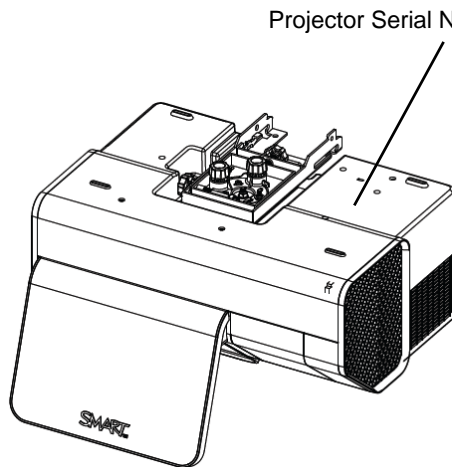
To make sure that you have the correct service parts diagrams, you must verify the serial number of your SMART Board 800 series interactive whiteboard. The SMART Board serial number will be located on the side of the right hand bezel. When mounted, the projector serial number will be visible on the top of the projector. An example of the serial number format is shown below.



Unique Serial Number

**SBB885-H2/M2-A123456**

SMART Board Serial Number Location



Projector Serial Number Location

**B012BK02D0107**

Unique Projector Serial Number

## Ordering Parts

### Customers

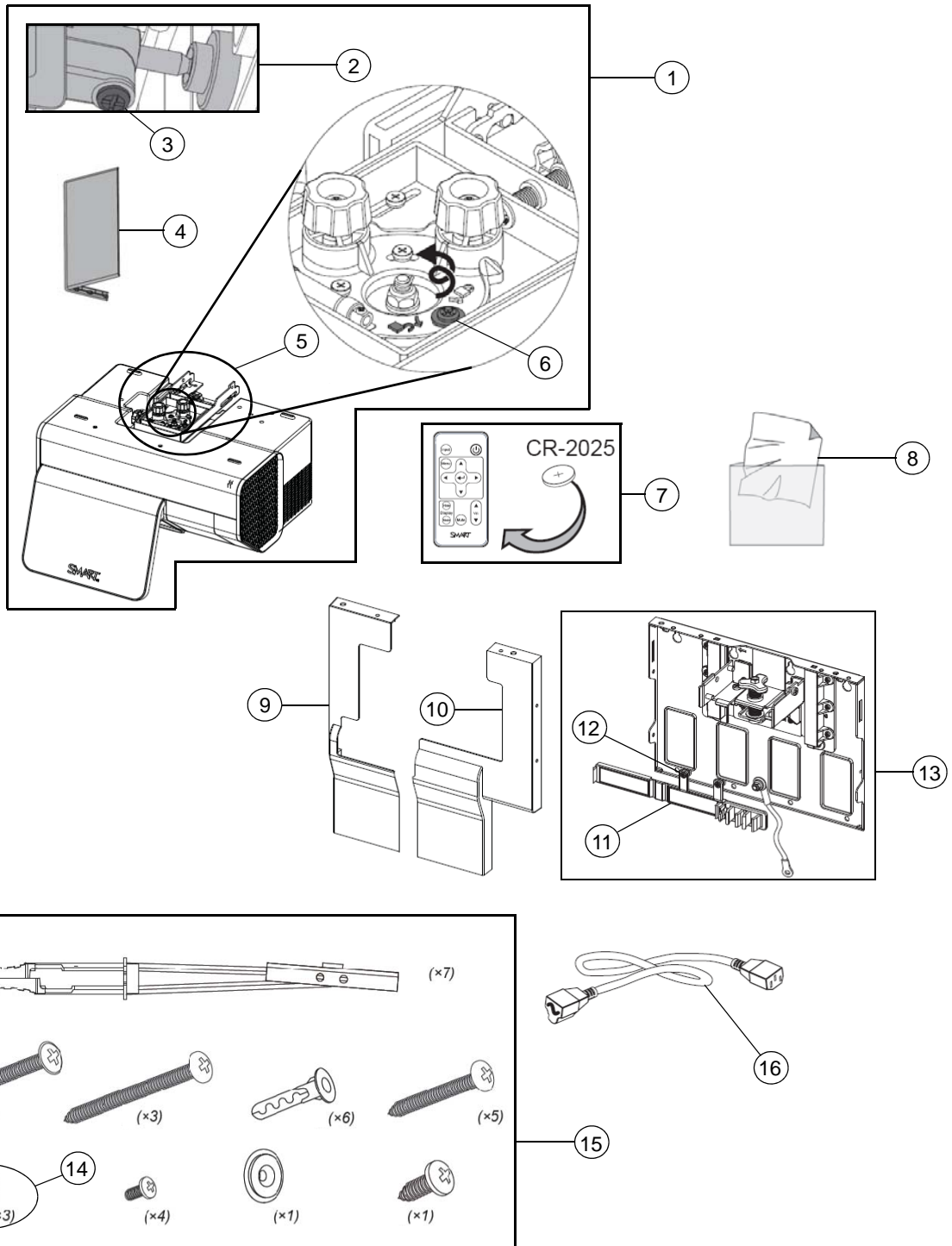
To order any of the parts in these service parts diagrams, contact your local reseller. To find a reseller near you, visit [www.smarttech.com/where](http://www.smarttech.com/where).

### Dealers and Distributors

For specific technical and pricing enquiries in regards to these diagrams please contact our service parts department. Pricing is also available on-line via the SOURCE website ([source.smarttech.com](http://source.smarttech.com)).

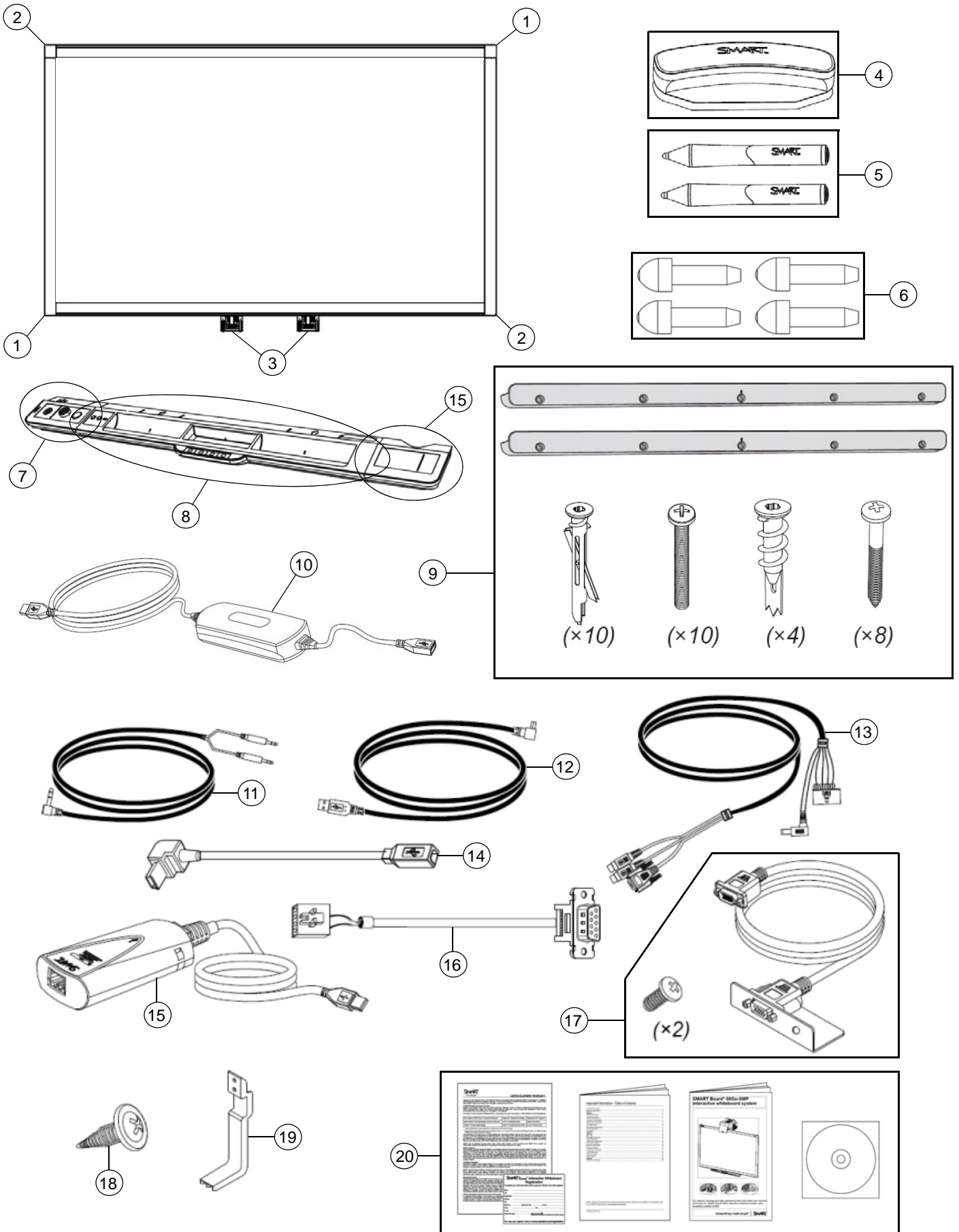
Web Form: [www.smarttech.com/contactserviceparts](http://www.smarttech.com/contactserviceparts)  
Phone: 1.888.42.SMART  
International: +1.403.245.0333

# UX60 Parts



Item	Part No.	Qty	Description
1	FRU-UX60-PJR	1	FRU, UX60 projector only <b>NOTE:</b> Includes projector and items 2, 3, 4, 5, 6.
2	51-00803-20	1	Assembly, dampener, vibration, UX60 <b>NOTE:</b> Includes item 3. Comes attached to the UX60 projector.
3	30-01172-20	1	Screw, M4 x 12 mm, Phillips, washer head, black
4	52-00650-20	1	Cover, cable, input/output panel, UX60 <b>NOTE:</b> Comes attached to the UX60 projector.
6	30-01289-20	1	Screw, M5 x 8 mm, Phillips, washer head
7	03-00131-20	1	Remote control <b>NOTE: Battery not included with replacement remotes.</b>
8	01-00273-20	1	Cloth, cleaning, UX60
9	52-00649-20	1	Cover, left, wall mount, UX60
10	52-00648-20	1	Cover, right, wall mount, UX60
11	52-00651-20	1	Clip, wire management, wall plate, UX60
12	30-01279-20	2	Screw, M4 x 8 mm, Phillips, pan head
14	30-01280-20	3	Screw, M6 x 8 mm, Phillips, pan head <b>NOTE:</b> For attaching the projector to the wall plate assembly.
15	20-01171-21	1	Assembly, mounting hardware kit, UX60 <b>NOTE:</b> Includes item 14.
16	93-00630-20	1	Cable, power, North America, 14' 9" (4.5 m)
16	93-00632-20	1	Cable, power, United Kingdom, 14' 9" (4.5 m)
16	93-00631-20	1	Cable, power, Europe, 14' 9" (4.5 m)
16	93-00629-20	1	Cable, power, Australia, 14' 9" (4.5 m)
16	93-00634-20	1	Cable, power, Japan, 14' 9" (4.5 m)
16	93-00633-20	1	Cable, power, China, 14' 9" (4.5 m)
16	93-00670-20	1	Cable, power, Korea, 14' 9" (4.5 m)
Not shown	FRU-BRK-UX60	1	FRU, bracket replacement kit, UX60 <b>NOTE:</b> Includes items 5, 11, 12 and 13.
Not shown	30-00946-20	4	Screw, M4 x 6 mm, Phillips, pan head <b>NOTE:</b> For attaching item 5 to the projector.
Not shown	52-00768-20	1	Door, lamp cover, UX60 <b>NOTE:</b> Comes attached to the UX60 projector.
Not shown	20-01175-20	1	Replacement Lamp for UX60 Projector

# SB885 Parts





Item	Part No.	Qty	Description
1	FRU-CAM2-SBX885-A	2	FRU, camera A, revision 2, SBX885, position 0 and 2
2	FRU-CAM2-SBX885-B	2	FRU, camera B, revision 2, SBX885, position 1 and 3
3	51-00817-20	2	Bracket, mounting, pen tray
4	RERASER-SBX8	1	Replacement Eraser for SMART Board X800 Series
5	RPEN-SBX8-MP	1	Replacement Pens for SMART Board X800 Series for Business - Set of Two
6	FRU-NIB-SBX8	1	Replacement Nibs for SBX8 Pen - Set of Four
7	FRU-MODULE-ECP-SBX8	1	FRU, extended control panel pen tray module, SBX8
8	FRU-PT14-2	1	FRU, pen tray, PT14, revision 2 <b>NOTE:</b> FRU-MODULE-ECP-SBX8 and SBX800 CAT5-XT are not included.
9	FRU-SBX8WM	2	FRU, SBX8, wall mounting kit
10	GW-MPPE	1	SMART GoWire auto-launch cable with Meeting Pro Personal Edition
11	93-00811-20	1	Cable, audio, right angle 3.5 mm male to dual 3.5 mm male, 10'6" (3.2 m)
12	93-00807-20	1	Cable, right angle USB Mini-B to USB A, 16'5" (5.0 m)
13	93-00815-21	1	Cable, harness, master control panel (MCP), 9'6" (2.9 m)
14	1016373	1	Cable, right angle USB Mini-B to USB B, 6" (15 cm)
15	SBX800 CAT5-XT	1	Cat 5 to USB Extender for SMART Board X800 Series Interactive Whiteboard <b>NOTE:</b> Includes pen tray and computer modules.
16	SBX8-CTRL	1	SBX8 Series Control Cable
17	20-01496-20	1	Assembly, video connector kit for SBX8 series
18	30-00934	2	Screw, No. 8 x 5/16", trim, Phillips, wafer head
19	52-00731-20	1	Bracket, support, master control panel (MCP)
20	1016953	1	Assembly, documentation, SB800ix-SMP, systems <b>NOTE:</b> Includes mounting template and installation guide.
Not shown	52-00683-20	2	Bracket, backboard hanger <b>NOTE:</b> Comes attached to the back of the SMART Board.
Not shown	52-00669-21	2	Cover, back, camera, position 0 and 2
Not shown	52-00668-21	2	Cover, back, camera, position 1 and 3
Not shown	1013719	1	Cable, harness, pen tray to cameras, SBX885 <b>NOTE:</b> Connects camera 0, 1, 2, and 3 to the pen tray.
Not shown	FRU-PKG-SBX885	1	FRU, packaging, SBX885 SMART Board Interactive Whiteboard

