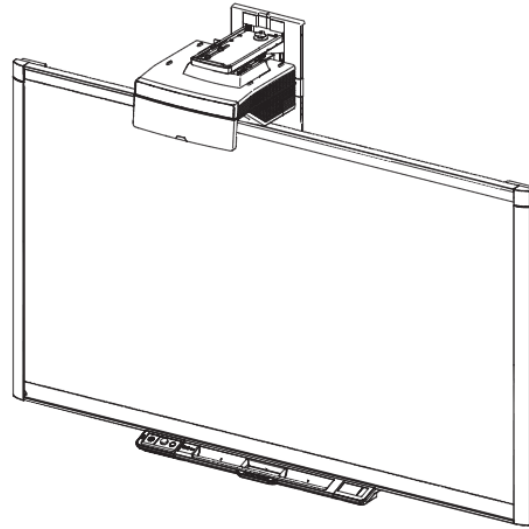


SMART[®]



Service Parts Diagrams

**For Model:
SB885ix2 Revision 2**

**Applies only to models with serial numbers with the
following format:**

G012HW29U0152

Service Parts Diagrams Revision History

Revision 1 - August, 2015

- New document

Standard Warranty Terms

The projector and ECP have a three-year limited equipment warranty. The UX80 projector lamp has a 1000-hour/one-year warranty. Your interactive whiteboard has a two-year limited equipment warranty or a five-year limited equipment warranty upon registration.

First Customer Ship: July, 2015

SMART Technologies

3636 Research Road NW

Calgary, AB T2L 1Y1

CANADA

Support +1.403.228.5940 or Toll Free 1.866.518.6791 (Canada/U.S.)

Support Fax +1.403.806.1256

www.smarttech.com/contactserviceparts www.smarttech.com

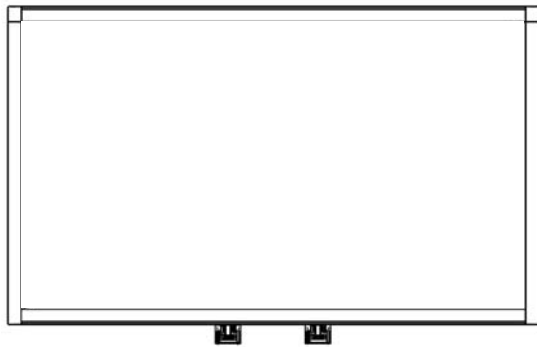


Service Parts Diagrams for the SB885ix2

- Identifying Your Product Using the Serial Number 1
- Ordering Parts 1
- UX80 Parts 2
- Optional Projector Mounting Hardware Kit Assembly (Part No. 1013576) 4
- Assembly, SBX800-ix2 Extended Control Panel (Part No. 1019683) 5
- Optional SBX8 Series Control Cable (Part No. SBX8-CTRL) 7
- SBX885 Parts 8

Identifying Your Product Using the Serial Number

To make sure that you have the correct service parts diagrams, you must verify the serial number of your SMART Board 800 series interactive whiteboard. The SMART Board serial number will be located on the side of the right hand bezel. When mounted, the projector serial number will be visible on the top of the projector or it is also located behind the input/output panel cover. An example of the serial number format is shown below.

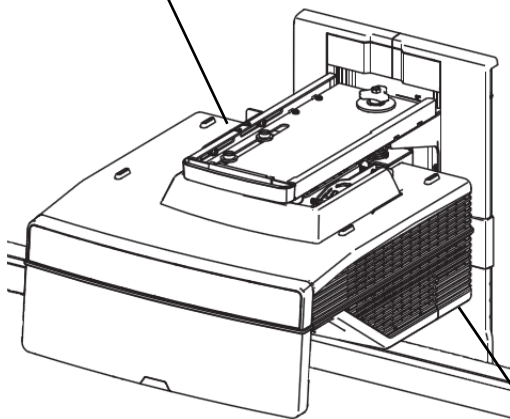


Unique Serial Number

G012HW29U0152

SMART Board Serial Number Location

Projector Serial Number Location



Unique Serial Number

B011EL13M0132

Projector Serial Number Location
(will be visible with the input/output cover removed)

Ordering Parts

Customers

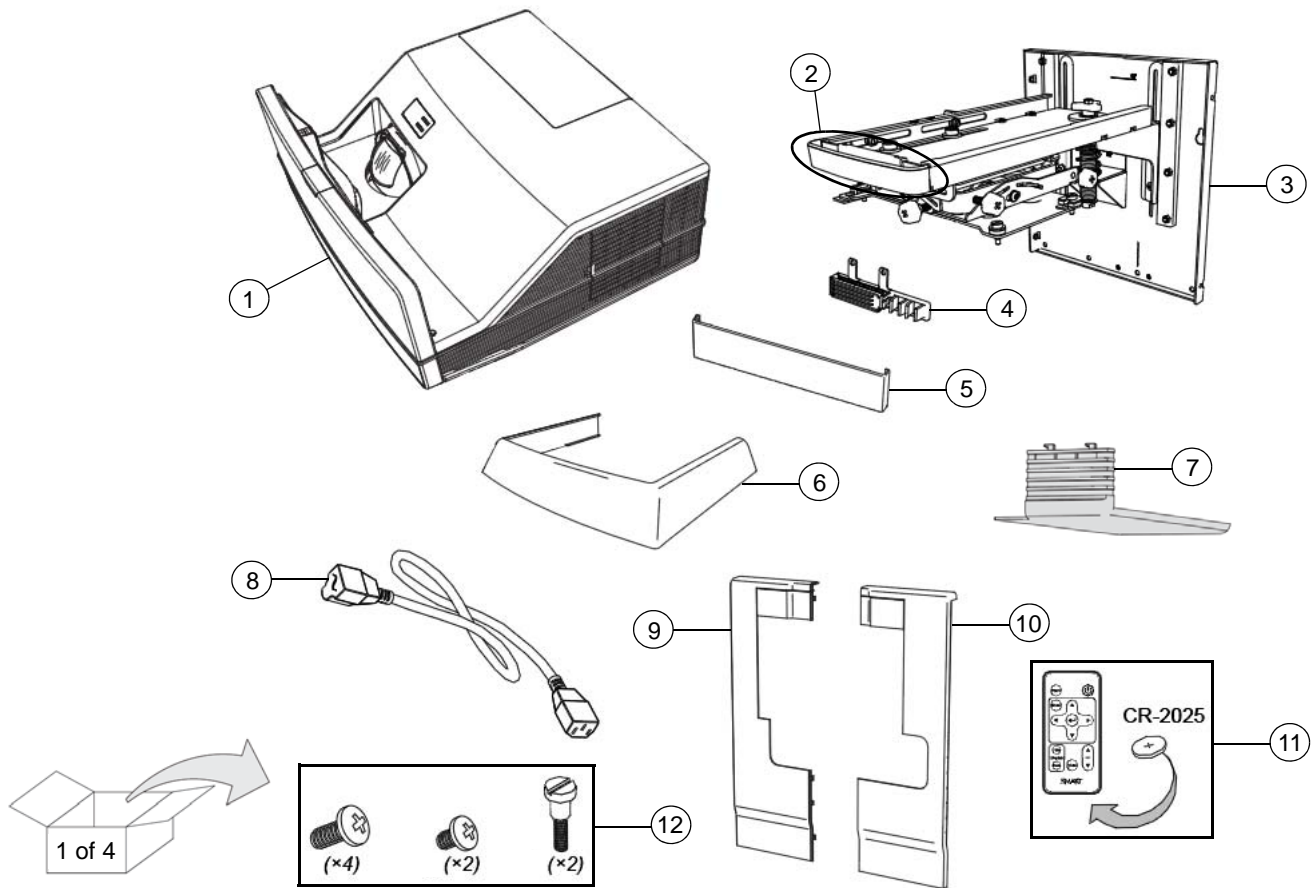
To order any of the parts in these service parts diagrams, contact your local reseller. To find a reseller near you, visit www.smarttech.com/where.

Dealers and Distributors

For specific technical and pricing enquiries in regards to these diagrams please contact our service parts department. Pricing is also available on-line via the SOURCE website (source.smarttech.com).

Web Form: www.smarttech.com/contactserviceparts
Phone: 1.888.42.SMART
International: +1.403.245.0333

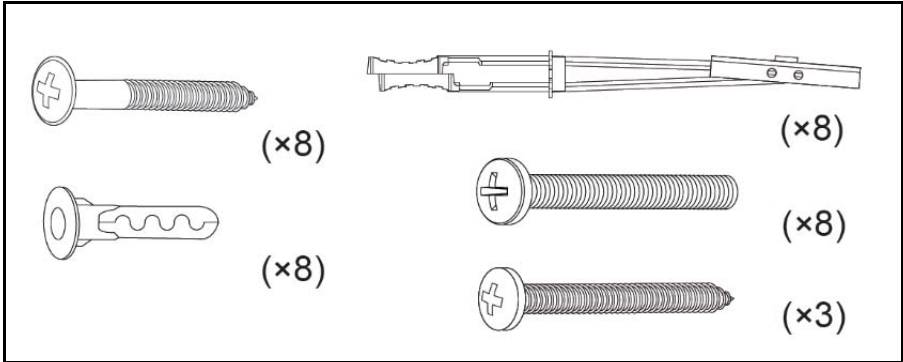
UX80 Parts



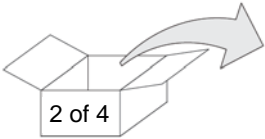
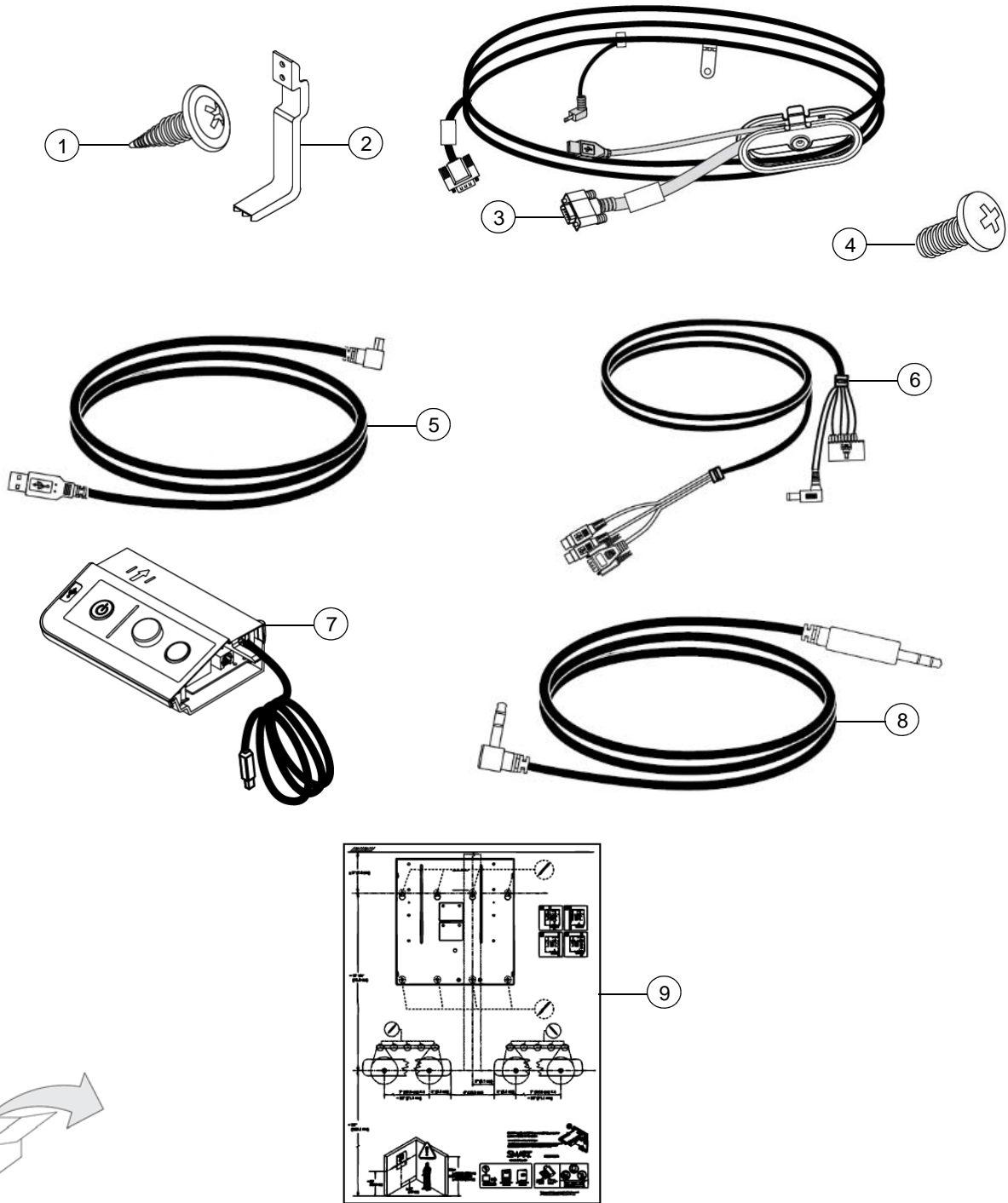
Item	Part No.	Qty	Description
1	FRU-UX80-PJR	1	FRU, UX80 projector only
2	1017516	1	Cap, cosmetic, boom
3	1016782	1	Assembly, adjustment module, WXGA NOTE: Includes adjustment module and item 2.
4	52-00651-20	1	Clip, wire management, wall plate
5	1017166	1	Cover, cable
6	1017682	1	Cover, adjustment module
7	1020038	1	Cover, input/output panel, projector NOTE: Comes attached to the projector.
8	93-00630-20	1	Cable, power, North America, 14' 9" (4.5 m)
8	93-00632-20	1	Cable, power, United Kingdom, 14' 9" (4.5 m)
8	93-00631-20	1	Cable, power, Europe, 14' 9" (4.5 m)
8	93-00629-20	1	Cable, power, Australia, 14' 9" (4.5 m)
8	93-00634-20	1	Cable, power, Japan, 14' 9" (4.5 m)
8	93-00633-20	1	Cable, power, China, 14' 9" (4.5 m)
8	93-00670-20	1	Cable, power, Korea, 14' 9" (4.5 m)

9	1017164	1	Cover, wall plate, left
10	1017163	1	Cover, wall plate, right
11	03-00131-20	1	Remote control NOTE: CR-2025 battery not included with replacement remotes.
12	1018395	1	Assembly, hardware kit
Not shown	1019270	1	Door, lamp cover, projector, UX80 NOTE: Comes attached to the projector.
Not shown	1018740	1	Replacement Lamp for UX80 Projector

Optional Projector Mounting Hardware Kit Assembly (Part No. 1013576)



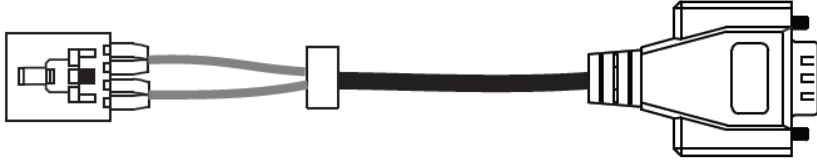
Assembly, SBX800-ix2 Extended Control Panel (Part No. 1019683)



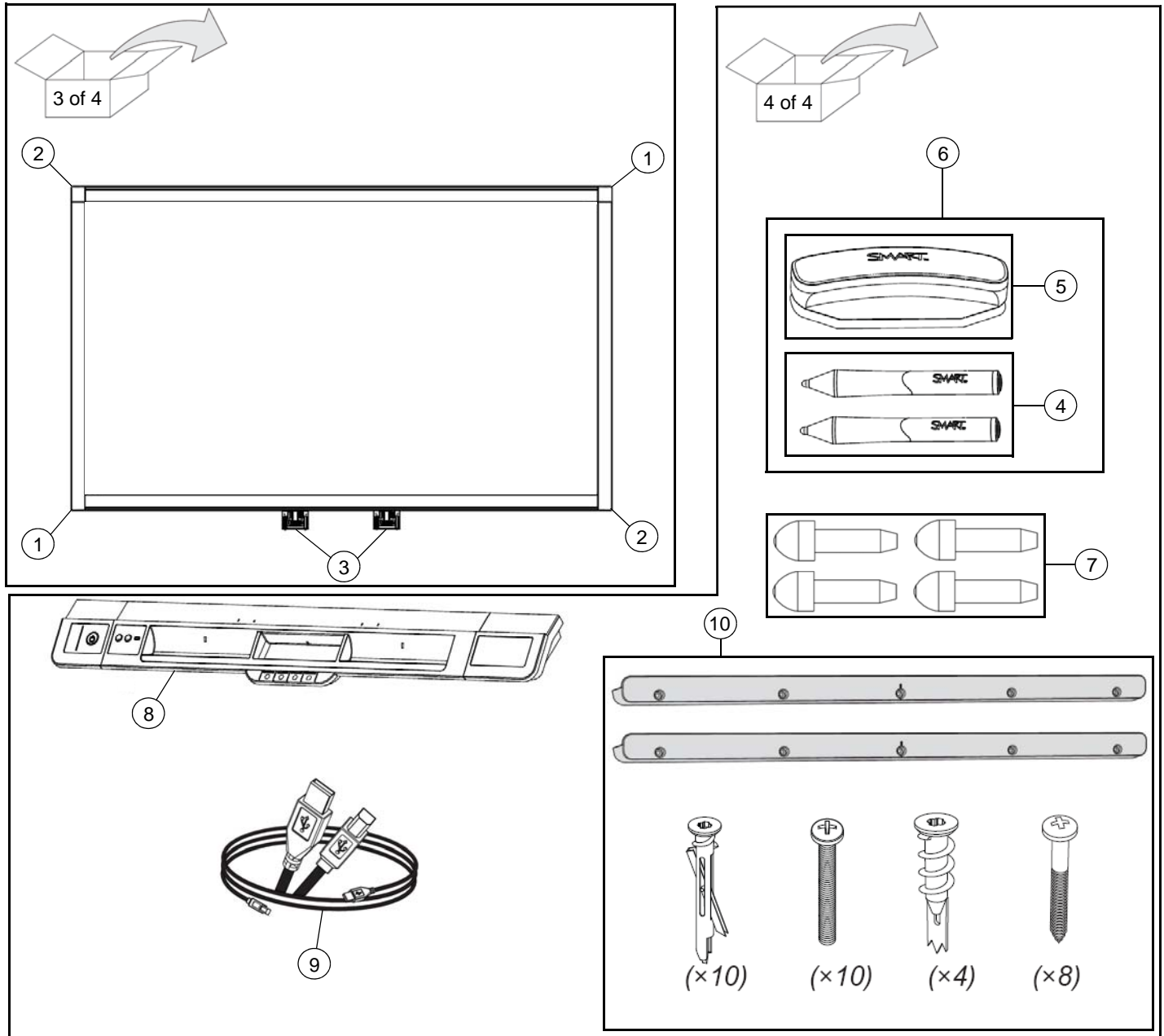
Item	Part No.	Qty	Description
1	30-00934	2	Screw, No. 8 x 9/16", trim, Phillips, wafer head
2	52-00731-20	1	Bracket, support, master control panel (MCP)
3	93-00804-20	1	Cable, harness, laptop, master control panel (MCP), 13'9" (4.2 m)
4	30-01343-20	2	Screw, No. 4 x 3/8", Phillips, pan head, for plastics

5	93-00807-20	1	Cable, right angle USB Mini-B to USB A, 16'5" (5.0 m)
6	93-00815-21	1	Cable, harness, master control panel (MCP), 9'6" (2.9 m)
7	FRU-MODULE-ECP-SBX8	1	FRU, extended control panel pen tray module, SBX8
8	1019686	1	Cable, audio, right angle 3.5 mm male to 3.5 mm male, 13'5" (4.1 m)
9	1018346	1	Template, mounting, UX80

Optional SBX8 Series Control Cable (Part No. SBX8-CTRL)



SBX885 Parts



Item	Part No.	Qty	Description
1	FRU-CAM2-SBX885-A	2	FRU, camera A, revision 2, SBX885, position 0 and 2
2	FRU-CAM2-SBX885-B	2	FRU, camera B, revision 2, SBX885, position 1 and 3
3	51-00817-20	2	Bracket, mounting, pen tray
4	RPEN-SBX8	1	Replacement Pens for SMART Board X800 Series for Education - Set of Two NOTE: These pens are designed for education users and are wider and lighter than the business pens. The education pens can be identified by a flat plastic end cap.
5	RERASER-SBX8	1	Replacement Eraser for SMART Board X800 Series

6	RPEN-ER-SBX8	1	Replacement Pens and Eraser for SMART Board X800 Series for Education - Set of Two Pens NOTE: This kit contains the education version of the pens which are wider and lighter than the business pens. The education pens can be identified by a flat plastic end cap.
7	FRU-NIB-SBX8	1	Replacement Nibs for SBX8 Pen - Set of Four
8	FRU-PT14-2	1	FRU, pen tray, PT14, revision 2
9	93-00828-20	1	Cable, USB, A-B, 16' (5.0 m), SBX8
10	FRU-SBX8WM	2	FRU, SBX8, wall mounting kit
Not shown	1013719	1	Cable, harness, pen tray to cameras, SBX885 NOTE: Connects camera 0, 1, 2, and 3 to the pen tray.