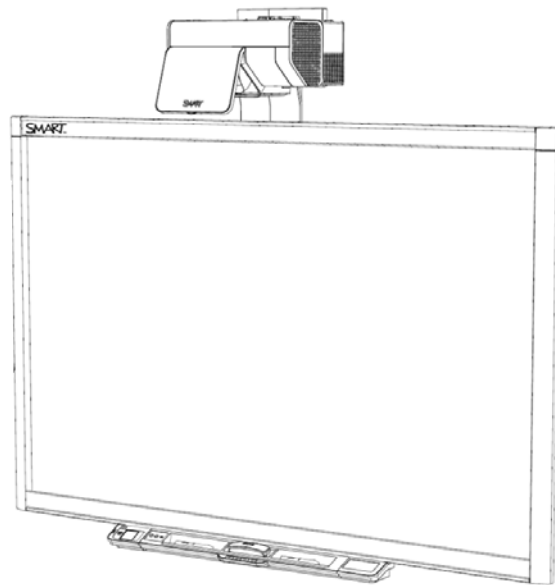


SMART[®]



Service Parts Diagrams

For Model:

SB885ixe-SMP revision 1

**Applies only to models with serial numbers within the
the following ranges:**

SBE885-R2/H2/M2-0000001 to SBE885-R2/H2/M2-9999999

Service Parts Diagrams Revision History

Revision 1 - October, 2011

- New document

Revision 2 - October, 2012

- Change SBX885ixe-MP to SB885ixe-SMP
- Add SMP-UpK and SBX800 CAT5-XT

Revision 3 - October, 2013

- Change SMP-UpK to GW-MPPE

Standard Warranty Terms

The projector and Appliance Control Panel (ACP) have a three-year limited equipment warranty. The appliance has a two-year limited equipment warranty. The UX60 projector lamp has a 1000 hour/one-year warranty. Your interactive whiteboard has a two-year limited equipment warranty or a five-year limited equipment warranty upon registration.

First Customer Ship: October, 2011

SMART Technologies

3636 Research Road NW

Calgary, AB T2L 1Y1

CANADA

Support +1.403.228.5940 or Toll Free 1.866.518.6791 (Canada/U.S.)

Support Fax +1.403.806.1256

www.smarttech.com/contactserviceparts www.smarttech.com

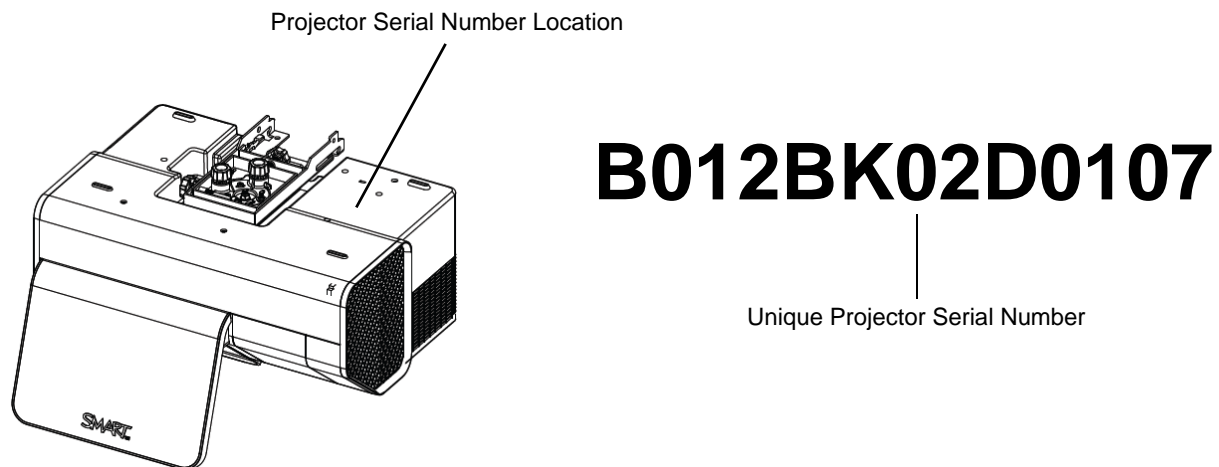
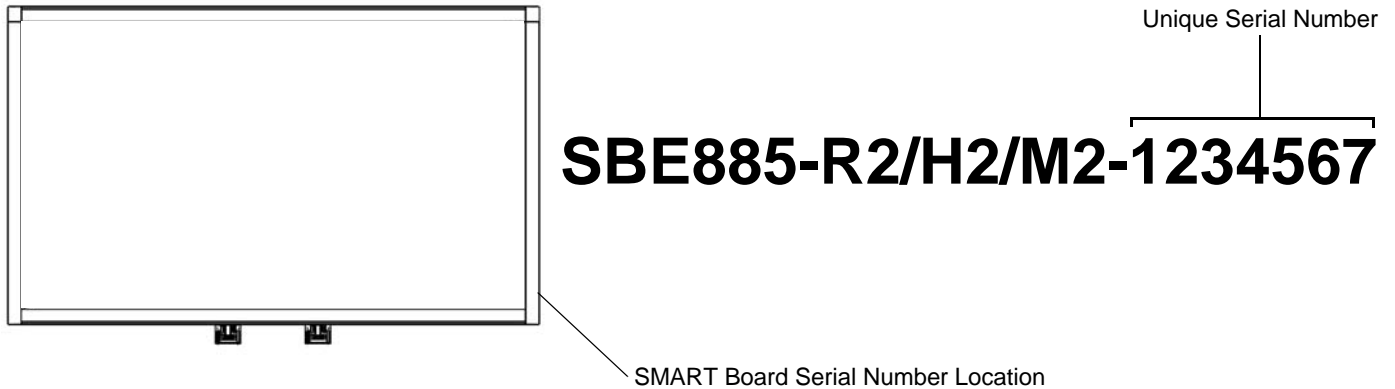


Service Parts Diagrams for the SB885ixe-SMP

- Identifying Your Product Using the Serial Number 1
- Ordering Parts 1
- UX60 Parts 2
- SBX885 with Appliance 4
- Rear View SBX885 with Appliance 6
- Optional Composite Video Panel for SBX800 (Part No. SBX8-RCA) 8

Identifying Your Product Using the Serial Number

To make sure that you have the correct service parts diagrams, you must verify the serial number of your SMART Board 800 series interactive whiteboard with Appliance. The SMART Board serial number will be located on the side of the right hand bezel. When mounted, the projector serial number will be visible on the top of the projector. An example of the serial number format is shown below.



Ordering Parts

Customers

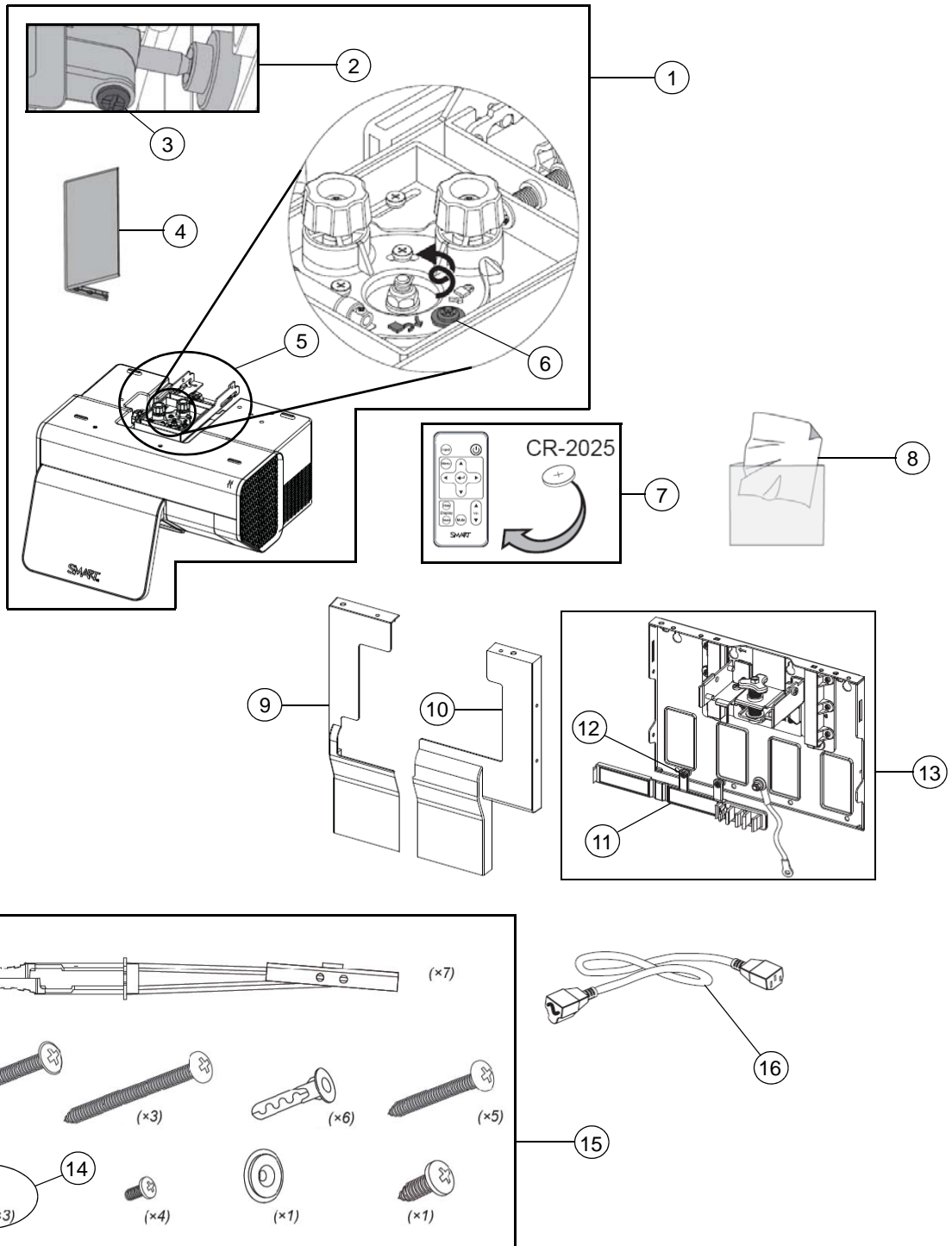
To order any of the parts in these service parts diagrams, contact your local reseller. To find a reseller near you, visit www.smarttech.com/where.

Dealers and Distributors

For specific technical and pricing enquiries in regards to these diagrams please contact our service parts department. Pricing is also available on-line via the SOURCE website (source.smarttech.com).

Web Form: www.smarttech.com/contactserviceparts
Phone: 1.888.42.SMART
International: +1.403.245.0333

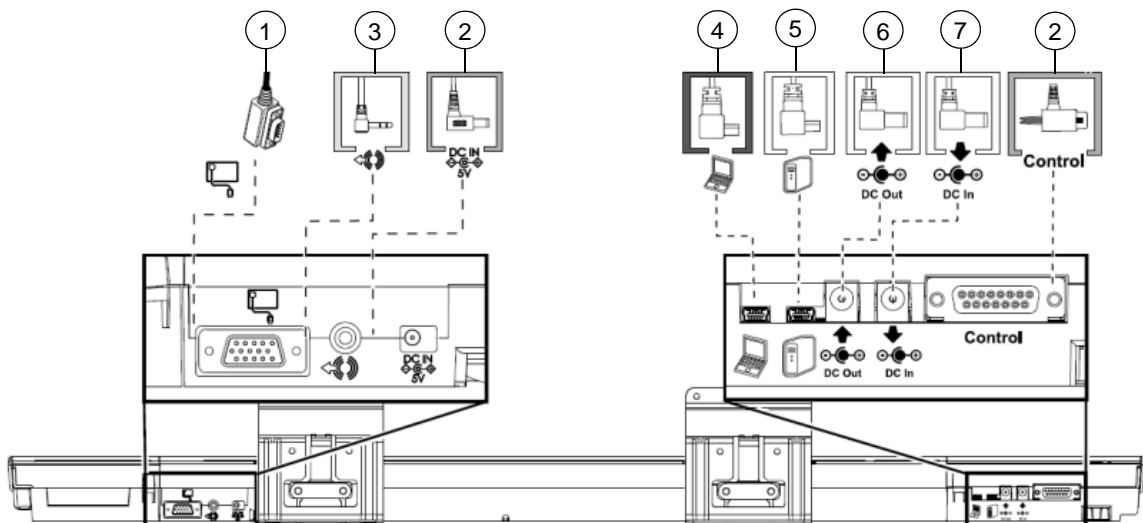
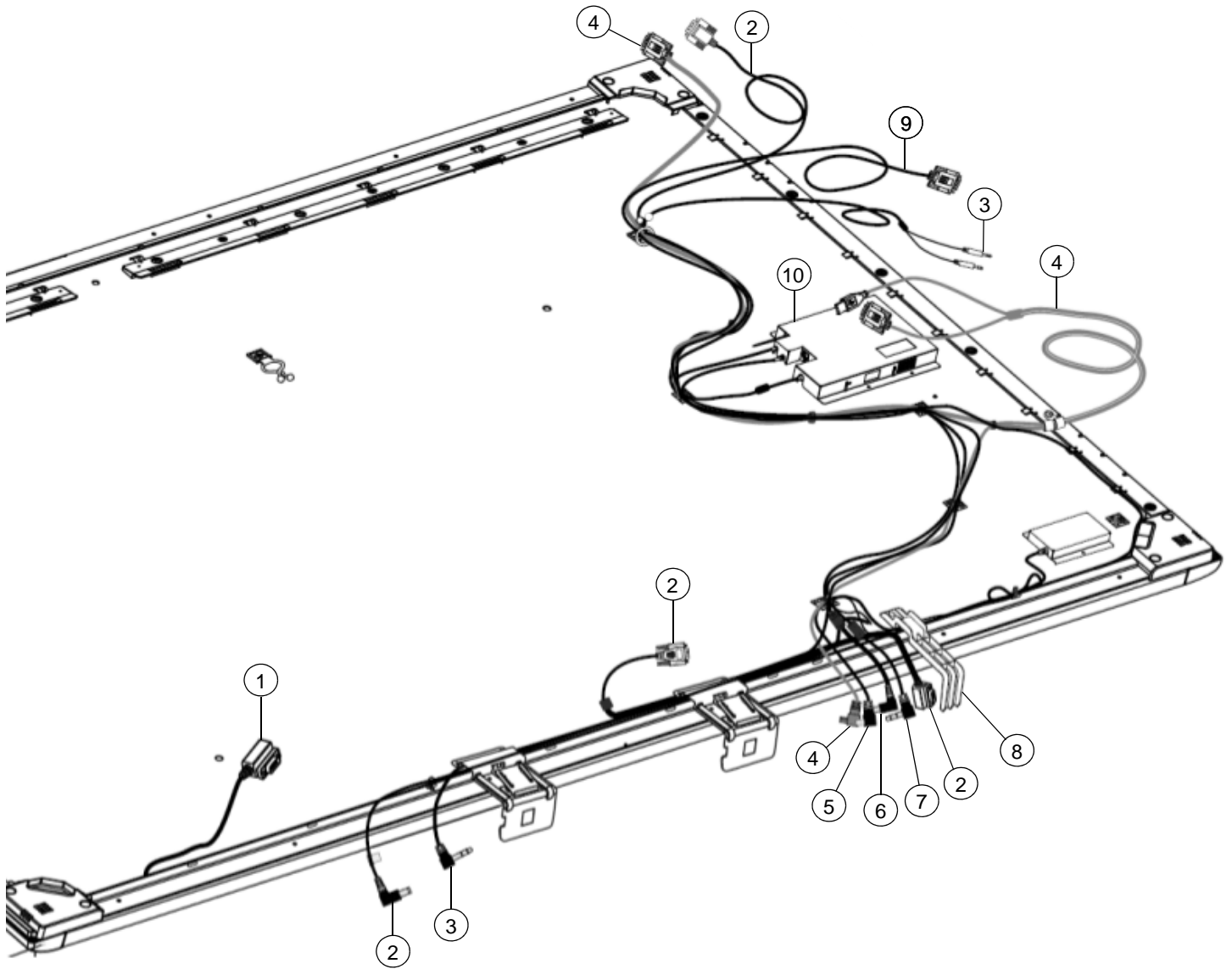
UX60 Parts



Item	Part No.	Qty	Description
1	FRU-UX60-PJR	1	FRU, UX60 projector only
2	51-00803-20	1	Assembly, dampener, vibration, UX60 NOTE: Includes item 3. Comes attached to the UX60 projector.
3	30-01172-20	1	Screw, M4 x 12 mm, Phillips, washer head, black
4	52-00650-20	1	Cover, cable, input/output panel, UX60 NOTE: Comes attached to the UX60 projector.
6	30-01289-20	1	Screw, M5 x 8 mm, Phillips, washer head
7	03-00131-20	1	Remote control NOTE: Battery not included with replacement remotes.
8	01-00273-20	1	Cloth, cleaning, UX60
9	52-00649-20	1	Cover, left, wall mount, UX60
10	52-00648-20	1	Cover, right, wall mount, UX60
11	52-00651-20	1	Clip, wire management, wall plate, UX60
12	30-01279-20	2	Screw, M4 x 8 mm, Phillips, pan head
14	30-01280-20	3	Screw, M6 x 8 mm, Phillips, pan head NOTE: For attaching the projector to the wall plate assembly.
15	20-01171-21	1	Assembly, mounting hardware kit, UX60
16	93-00630-20	1	Cable, power, North America, 14' 9" (4.5 m)
16	93-00632-20	1	Cable, power, United Kingdom, 14' 9" (4.5 m)
16	93-00631-20	1	Cable, power, Europe, 14' 9" (4.5 m)
16	93-00629-20	1	Cable, power, Australia, 14' 9" (4.5 m)
16	93-00634-20	1	Cable, power, Japan, 14' 9" (4.5 m)
16	93-00633-20	1	Cable, power, China, 14' 9" (4.5 m)
16	93-00670-20	1	Cable, power, Korea, 14' 9" (4.5 m)
Not shown	FRU-BRK-UX60	1	FRU, bracket replacement kit, UX60 NOTE: Includes items 5 and 13.
Not shown	30-00946-20	4	Screw, M4 x 6 mm, Phillips, pan head NOTE: For attaching item 5 to the projector.
Not shown	52-00768-20	1	Door, lamp cover, UX60 NOTE: Comes attached to the UX60 projector.
Not shown	20-01175-20	1	Replacement Lamp for UX60 Projector

Item	Part No.	Qty	Description
1	FRU-CAM-SBX8-0	1	FRU, camera, SBX8, position 0
2	FRU-CAM-SBX8-1	1	FRU, camera, SBX8, position 1
3	FRU-CAM-SBX8-2	1	FRU, camera, SBX8, position 2
4	FRU-CAM-SBX8-3	1	FRU, camera, SBX8, position 3
5	51-00817-20	2	Bracket, mounting, pen tray
6	51-00946-20	2	Bracket, locking, pen tray
7	51-00945-20	2	Bracket, extension, pen tray
8	RERASER-SBX8	1	Replacement Eraser for SMART Board X800 Series
9	RPEN-SBX8-MP	1	Replacement Pens for SMART Board X800 Series for Business - Set of Two
10	FRU-NIB-SBX8	1	Replacement Nibs for SBX8 Pen - Set of Four
11	93-00751-20	1	Cable, power, North America, 14'9" (4.5 m)
11	93-00752-20	1	Cable, power, United Kingdom, 14'9" (4.5 m)
11	93-00753-20	1	Cable, power, Europe, 14'9" (4.5 m)
11	93-00754-20	1	Cable, power, Australia, 14'9" (4.5 m)
11	93-00755-20	1	Cable, power, Japan, 14'9" (4.5 m)
11	93-00756-20	1	Cable, power, China, 14'9" (4.5 m)
11	93-00757-20	1	Cable, power, Korea, 14'9" (4.5 m)
11	93-00842-20	1	Cable, power, Brazil, 14'9" (4.5 m)
11	93-00843-20	1	Cable, power, India, 14'9" (4.5 m)
12	FRU-SBX8WM	2	FRU, SBX8, wall mounting kit
13	FRU-MODULE - ACP-SBX8	1	FRU, appliance control panel pen tray module, SBX8 NOTE: FRU-PT14 is not included.
14	FRU-PT14	1	FRU, pen tray, PT14 NOTE: FRU-MODULE-ACP-SBX8 is not included.
15	20-01522-20	1	Assembly, documentation kit, appliance, ix
16	GW-MPPE	1	SMART GoWire auto-launch cable with Meeting Pro Personal Edition
17	SBX800 CAT5-XT	1	Cat 5 to USB Extender for SMART Board X800 Series Interactive Whiteboard
Not shown	52-00683-20	2	Bracket, backboard hanger NOTE: Comes attached to the back of the SMART Board.
Not shown	52-00669-21	2	Cover, back, camera, position 0 and 2
Not shown	52-00668-21	2	Cover, back, camera, position 1 and 3
Not shown	93-00744-20	2	Cable, sides, SBX8 NOTE: One cable connects camera 0 to camera 1 and the second cable connects camera 2 to camera 3.
Not shown	93-00746-20	1	Cable, top, SBX885 NOTE: Connects camera 1 to camera 2.
Not shown	93-00749-20	1	Cable, master, SBX885 NOTE: Connects camera 3 to the pen tray.
Not shown	FRU-PKG-SBX885	1	FRU, packaging, SBX885 SMART Board Interactive Whiteboard

Rear View SBX885 with Appliance



Item	Part No.	Qty	Description
1	93-00749-20	1	Cable, master, SBX885 NOTE: Connects camera 3 to the pen tray.
2	93-00802-23	1	Cable, harness, control/power, appliance control panel (ACP), 13'10" (4.2 m) NOTE: - Connects control on the appliance pen tray module to the projector. - Connects external room control system to the projector. - Connects power input on the pen tray to the appliance pen tray module.
3	93-00856-20	1	Cable, audio, right angle 3.5 mm male to dual 3.5 mm male, 13'6" (4.1 m) NOTE: Connects audio output on the pen tray to the projector.
4	93-00825-20	1	Cable, harness, laptop, appliance control panel (ACP), 26'3" (8.0 m) NOTE: - Connects USB on the appliance pen tray module to the laptop. - Connects video output on the laptop to the projector.
5	93-00826-20	1	Cable, right angle USB Mini-B to USB A, 6'3" (1.9 m) NOTE: Connects USB on the appliance pen tray module to the appliance.
6	93-00805-21	1	Cable, power, appliance, 4'7" (1.4 m) NOTE: Connects power output on the appliance pen tray module to the power input of the appliance.
7	60-00062-20	1	Power supply, 19V DC, 4.2A, universal switching NOTE: Connects to the power input on the appliance pen tray module.
8	52-00731-20	1	Bracket, support, appliance control panel (ACP)
9	93-00827-21	1	Cable, video, HD15 male to HD15 male, 8' (2.45 m) NOTE: Connects video output on the appliance to the projector.
10	FRU-APPLIANCE-SBX8	1	FRU, appliance, SBX8

Optional Composite Video Panel for SBX800 (Part No. SBX8-RCA)

