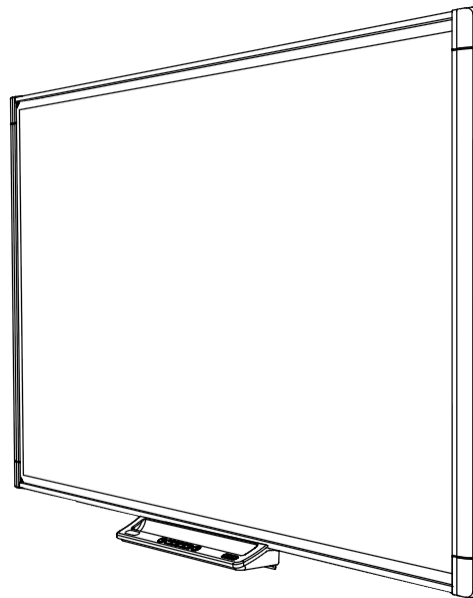




**SMART<sup>®</sup>**



***Service Parts  
Diagrams***

**For Model:  
SBM680  
SBM685**

## Service Parts Diagrams Revision History

### Revision 1 - October, 2013

- New document

### Revision 2 - January, 2014

- Add FRU-CAM-SBM680-A, FRU-CAM-SBM680-B, FRU-CAM-SBM685-A, FRU-CAM-SBM685-B and FRU-DSP-SBM600
- Change 52-00745-20 to 1009826

### Revision 3 - February, 2017

- Change 1013652 to 1028021
- Add 1022762 and 1023214

### Standard Warranty Terms

Base Product: Your interactive whiteboard has a two-year limited equipment warranty.

First Customer Ship: October, 2013

---

#### SMART Technologies

3636 Research Road NW  
Calgary, AB T2L 1Y1  
CANADA

Support +1.403.228.5940 or Toll Free 1.866.518.6791 (Canada/U.S.)

Support Fax +1.403.806.1256

[www.smarttech.com/contactserviceparts](http://www.smarttech.com/contactserviceparts) [www.smarttech.com](http://www.smarttech.com)



# Service Parts Diagrams for the SBM680 and SBM685

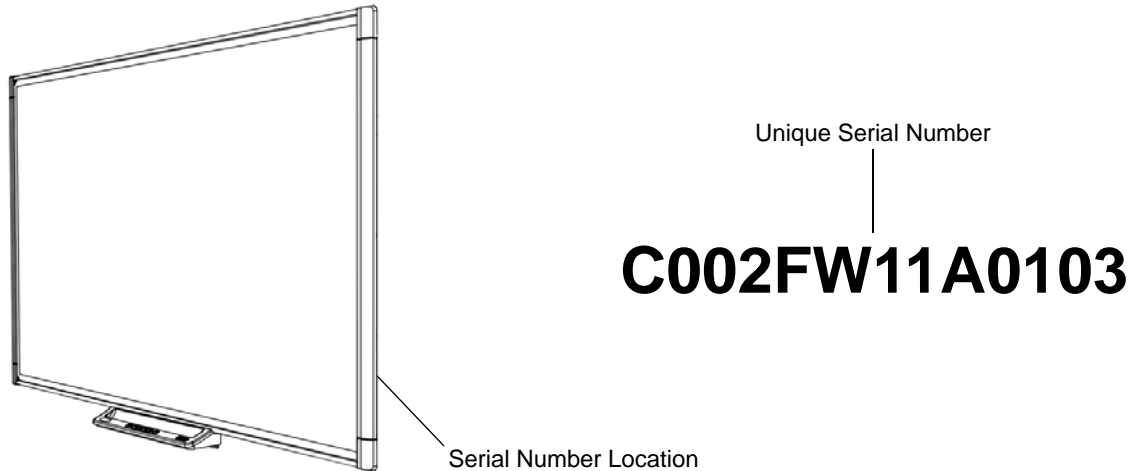
---

- Identifying Your Product Using the Serial Number ..... 1
- Ordering Parts ..... 1
- SBM680 Parts ..... 2
- SBM685 Parts ..... 3
- Optional Board Mounting Hardware Kit (Part No. 1020342) ..... 4



## Identifying Your Product Using the Serial Number

To make sure that you have the correct service parts diagrams, you must verify the serial number of your SBM680 or SBM685 interactive whiteboard. The serial number will be located on the side of the right hand bezel as shown below. An example of the serial number format is shown below.



## Ordering Parts

### Customers

To order any of the parts in these service parts diagrams, contact your local reseller. To find a reseller near you, visit [www.smarttech.com/where](http://www.smarttech.com/where).

### Dealers and Distributors

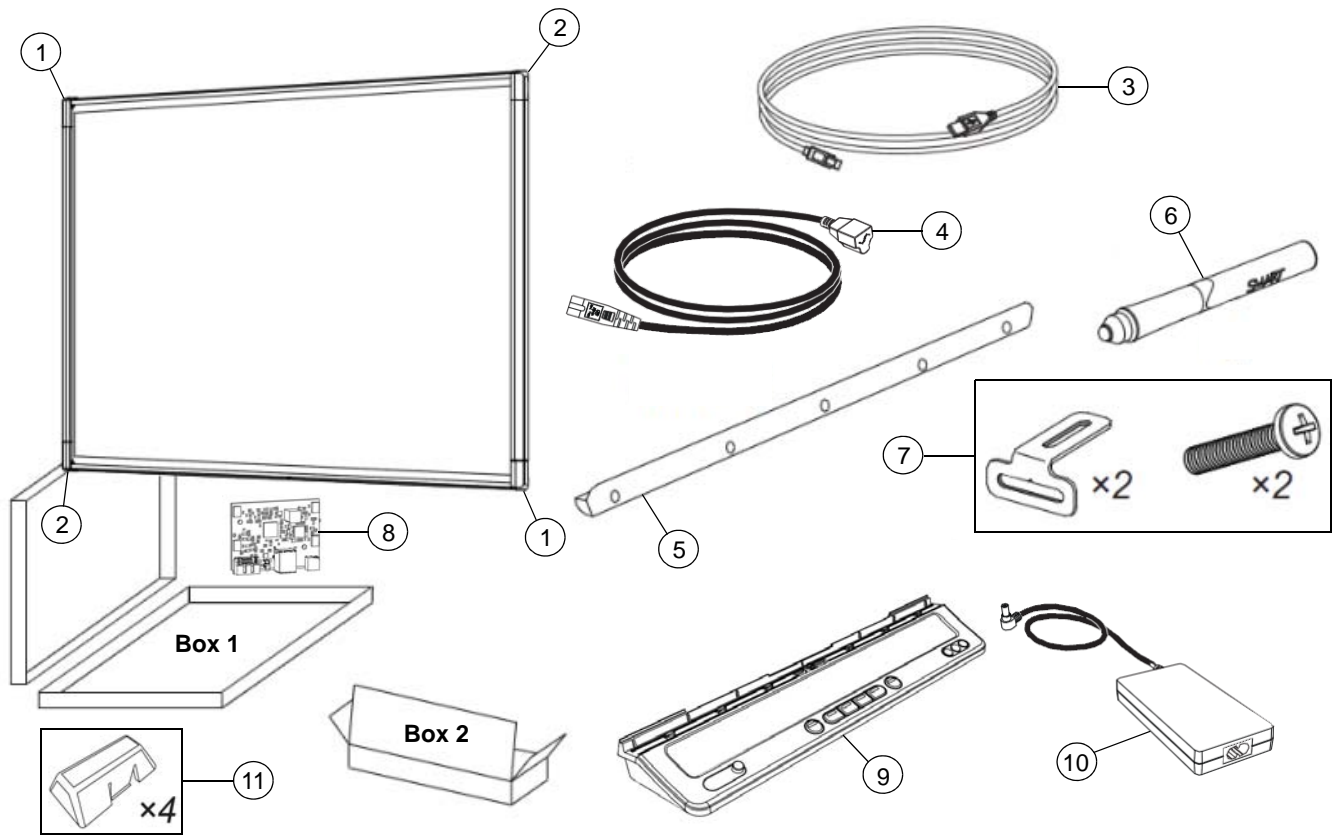
For specific technical and pricing enquiries in regards to these diagrams please contact our service parts department. Pricing is also available on-line via the SOURCE website ([source.smarttech.com](http://source.smarttech.com)).

Web Form: [www.smarttech.com/contactserviceparts](http://www.smarttech.com/contactserviceparts)

Phone: 1.888.42.SMART

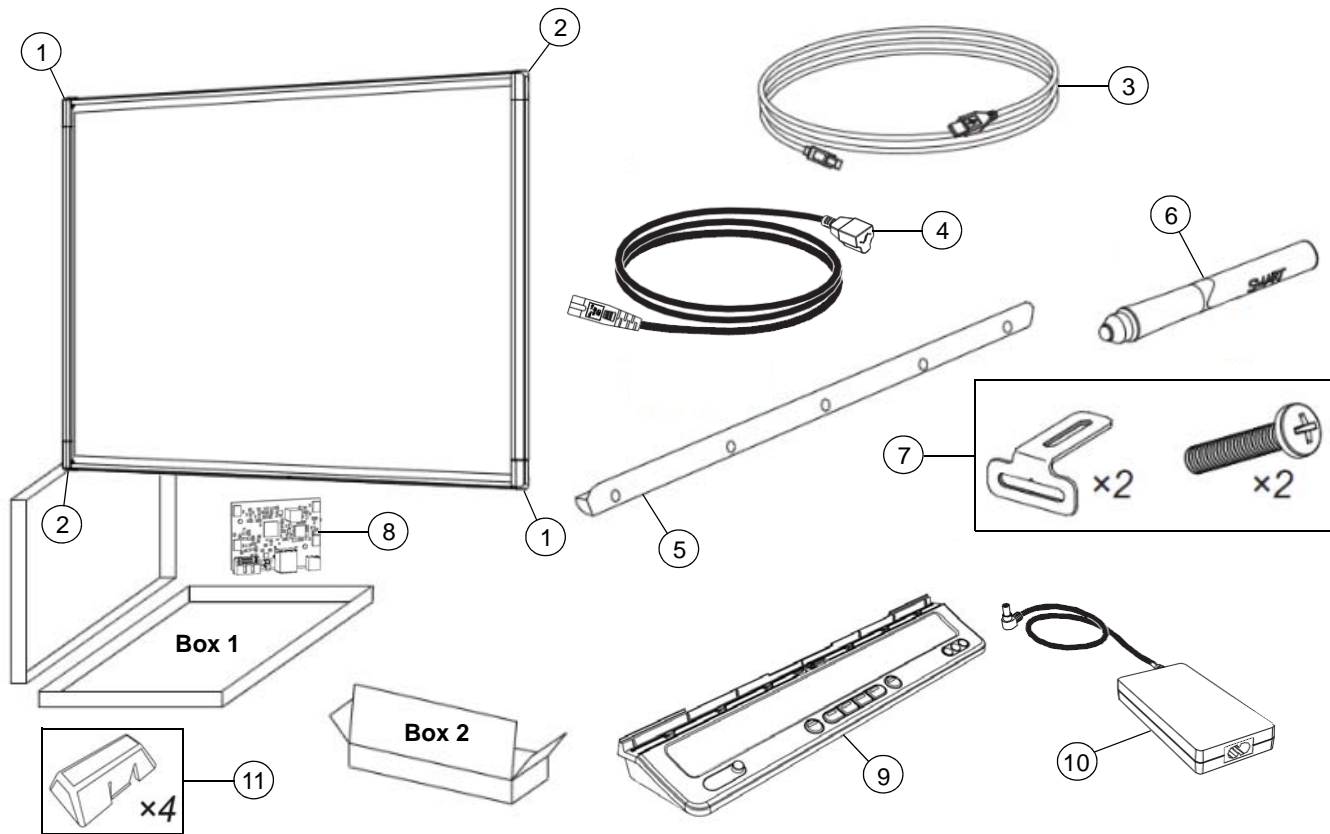
International: +1.403.245.0333

# SBM680 Parts



Item	Part No.	Qty	Description
1	FRU-CAM-SBM680-A	2	FRU, camera, SBM680, position 0 and 2
2	FRU-CAM-SBM680-B	2	FRU, camera, SBM680, position 1 and 3
3	93-00828-20	1	Cable, USB, A-B, 16' (5.0 m), SBX8
4	93-00592-20	1	Cable, power, North America, 6'6" (2.0 m)
4	93-00543-20	1	Cable, power, United Kingdom, 6'6" (2.0 m)
4	93-00576-20	1	Cable, power, Australia, 6'6" (2.0 m)
4	93-00542-20	1	Cable, power, Europe, 6'6" (2.0 m)
4	93-00806-20	1	Cable, power, China, 6'6" (2.0 m)
4	1023214	1	Cable, power, Japan, 6'6" (2.0 m)
5	1009826	1	Bracket, wall mount, blue, SBX8/SBM6
6	RPEN-SBM6	1	Replacement Pens for SMART Board SBM600 Series - Set of Two
7	1020535	1	Assembly, SBM6 pen ledge / tray mounting hardware
8	FRU-DSP-SBM600	1	FRU, digital signal processor (controller), SBM600
9	FRU-PT-SBM600	1	FRU, Pen Tray, SBM600
10	1028021	1	Power supply, 5V DC, 2A, universal switching
11	1022762	1	Kit, back corner spacer, SBM6 (set of four)

## SBM685 Parts



Item	Part No.	Qty	Description
1	FRU-CAM-SBM685-A	2	FRU, camera, SBM685, position 0 and 2
2	FRU-CAM-SBM685-B	2	FRU, camera, SBM685, position 1 and 3
3	93-00828-20	1	Cable, USB, A-B, 16' (5.0 m), SBX8
4	93-00592-20	1	Cable, power, North America, 6'6" (2.0 m)
4	93-00543-20	1	Cable, power, United Kingdom, 6'6" (2.0 m)
4	93-00576-20	1	Cable, power, Australia, 6'6" (2.0 m)
4	93-00542-20	1	Cable, power, Europe, 6'6" (2.0 m)
4	93-00806-20	1	Cable, power, China, 6'6" (2.0 m)
4	1023214	1	Cable, power, Japan, 6'6" (2.0 m)
5	1009826	2	Bracket, wall mount, blue, SBX8/SBM6
6	RPEN-SBM6	1	Replacement Pens for SMART Board SBM600 Series - Set of Two
7	1020535	1	Assembly, SBM6 pen ledge / tray mounting hardware
8	FRU-DSP-SBM600	1	FRU, digital signal processor (controller), SBM600
9	FRU-PT-SBM600	1	FRU, Pen Tray, SBM600
10	1028021	1	Power supply, 5V DC, 2A, universal switching
11	1022762	1	Kit, back corner spacer, SBM6 (set of four)

# Optional Board Mounting Hardware Kit (Part No. 1020342)

**NOTE:** SBM685 requires two kits.

