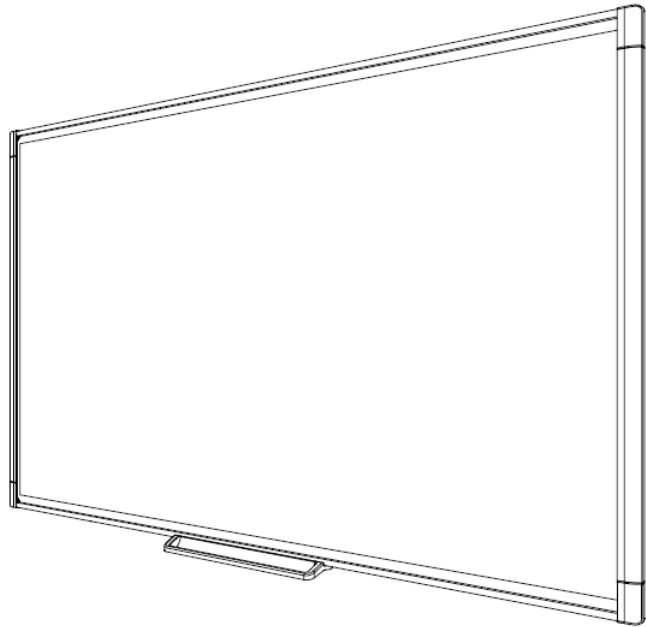


SMART[®]



Service Parts Diagrams

**For Model:
SBM680V
SBM685V**

Service Parts Diagrams Revision History

Revision 1 - April, 2013

- New document

Revision 2 - October, 2013

- Add SBM680V

Revision 3 - January, 2014

- Add FRU-CAM-SBM680-A, FRU-CAM-SBM680-B, FRU-CAM-SBM685-A, FRU-CAM-SBM685-B and FRU-DSP-SBM600
- Change 52-00745-20 to 1009826

Revision 4 - February, 2017

- Add 1022762 and 1023214
- Change 1013652 to 1028021

Standard Warranty Terms

Base Product: Your interactive whiteboard has a two-year limited equipment warranty.

First Customer Ship: April, 2013

SMART Technologies

3636 Research Road NW

Calgary, AB T2L 1Y1

CANADA

Support +1.403.228.5940 or Toll Free 1.866.518.6791 (Canada/U.S.)

Support Fax +1.403.806.1256

www.smarttech.com/contactserviceparts www.smarttech.com

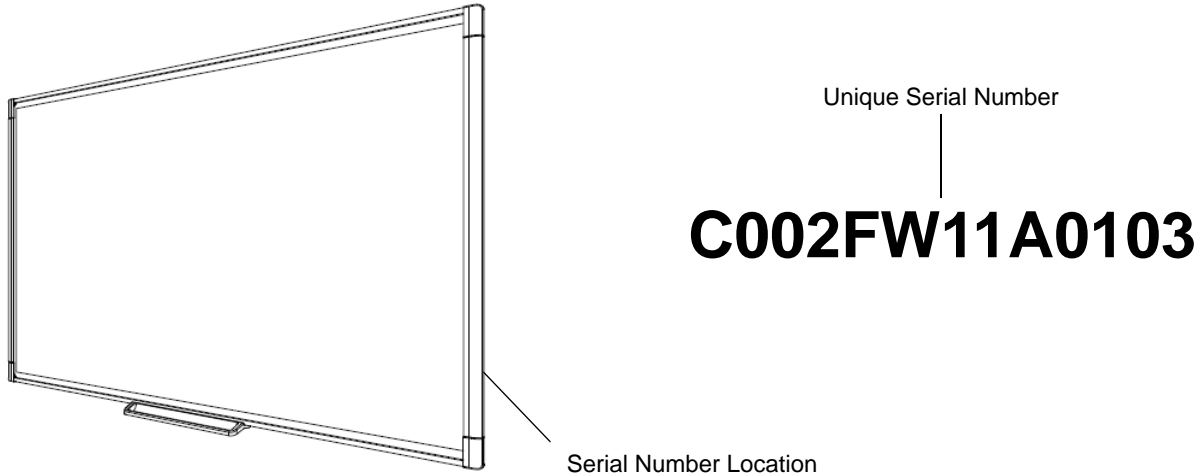


Service Parts Diagrams for the SBM680V and SBM685V

- Identifying Your Product Using the Serial Number 1
- Ordering Parts 1
- SBM680V Parts 2
- SBM685V Parts 3
- Optional Board Mounting Hardware Kit (Part No. 1020342) 4

Identifying Your Product Using the Serial Number

To make sure that you have the correct service parts diagrams, you must verify the serial number of your SBM680V or SBM685V interactive whiteboard. The serial number will be located on the side of the right hand bezel as shown below. An example of the serial number format is shown below.



Ordering Parts

Customers

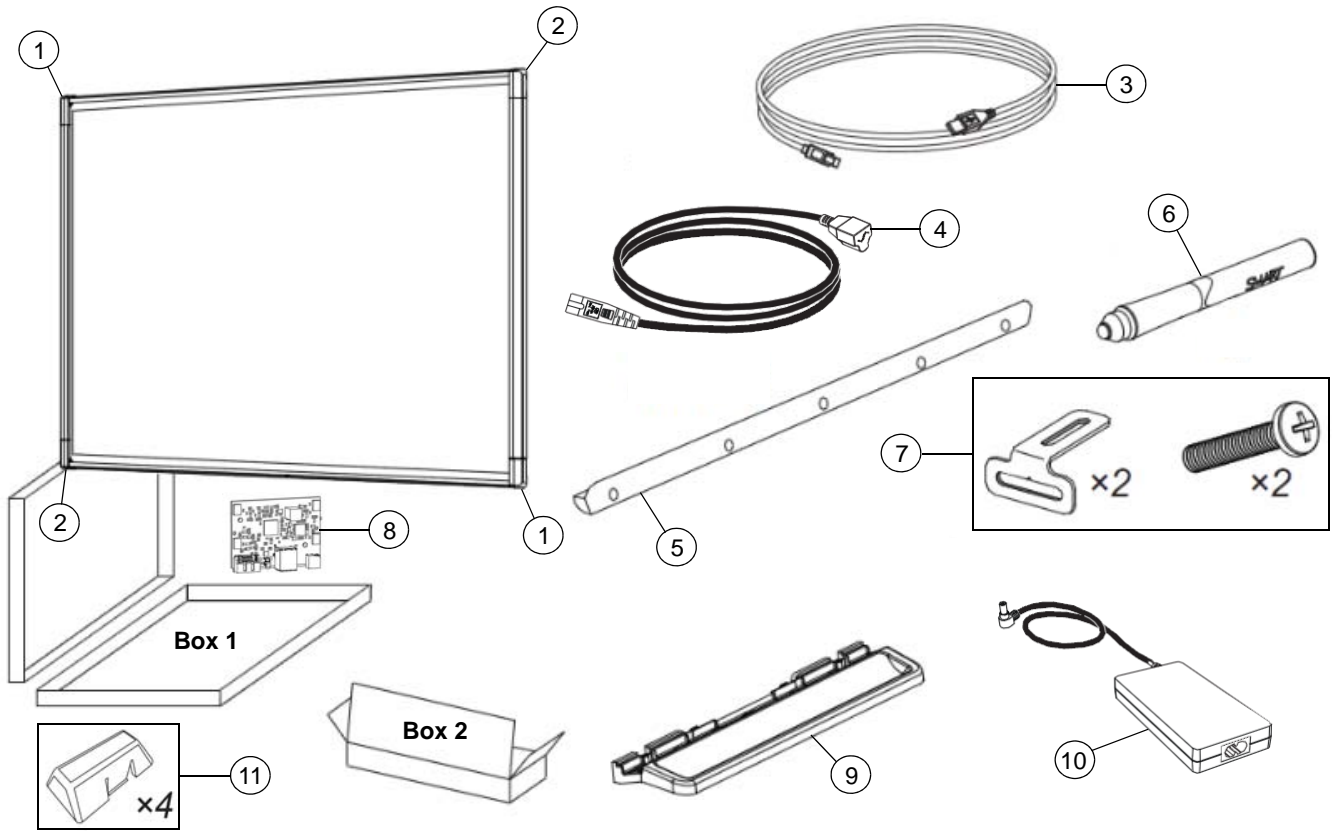
To order any of the parts in these service parts diagrams, contact your local reseller. To find a reseller near you, visit www.smarttech.com/where.

Dealers and Distributors

For specific technical and pricing enquiries in regards to these diagrams please contact our service parts department. Pricing is also available on-line via the SOURCE website (source.smarttech.com).

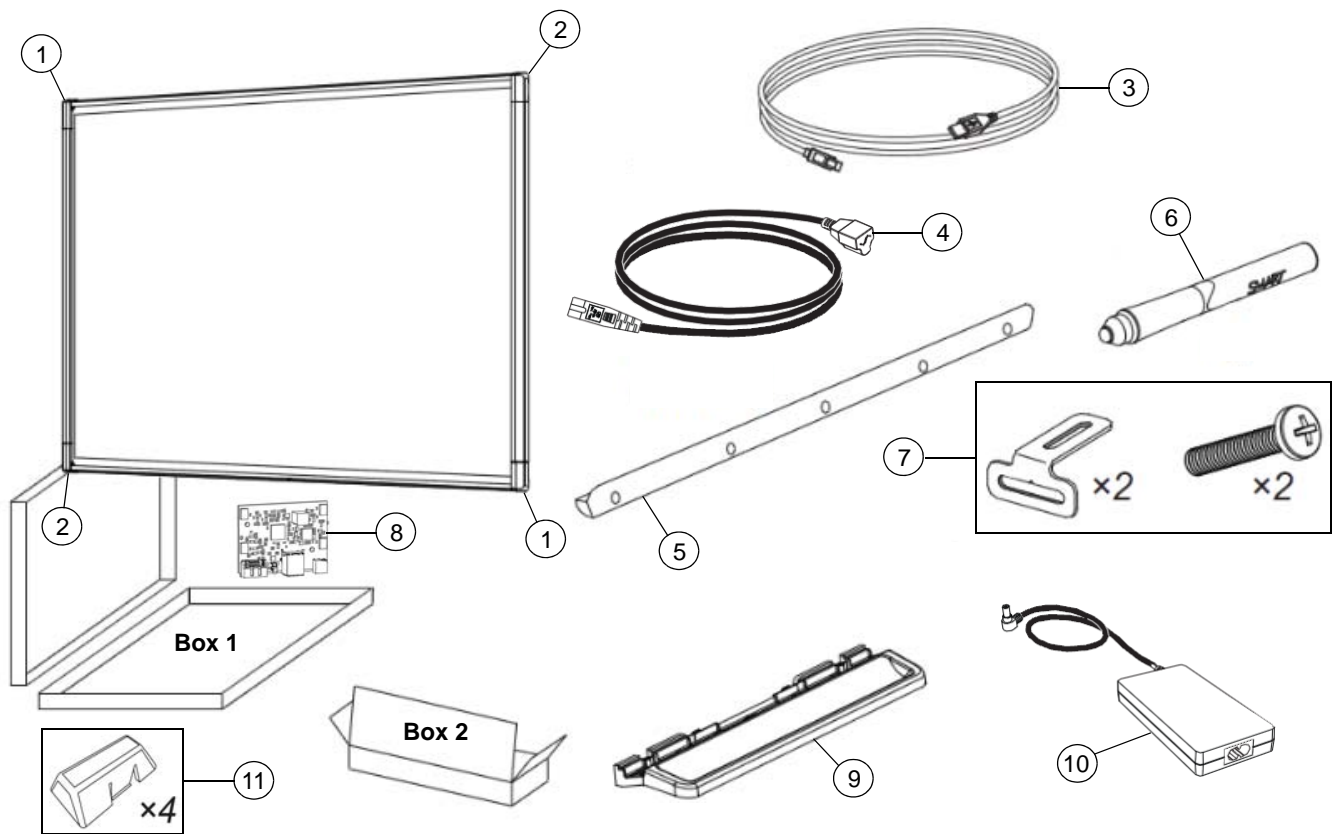
Web Form: www.smarttech.com/contactserviceparts
Phone: 1.888.42.SMART
International: +1.403.245.0333

SBM680V Parts



Item	Part No.	Qty	Description
1	FRU-CAM-SBM680-A	2	FRU, camera, SBM680, position 0 and 2
2	FRU-CAM-SBM680-B	2	FRU, camera, SBM680, position 1 and 3
3	93-00828-20	1	Cable, USB, A-B, 16' (5.0 m), SBX8
4	93-00592-20	1	Cable, power, North America, 6'6" (2.0 m)
4	93-00543-20	1	Cable, power, United Kingdom, 6'6" (2.0 m)
4	93-00576-20	1	Cable, power, Australia, 6'6" (2.0 m)
4	93-00542-20	1	Cable, power, Europe, 6'6" (2.0 m)
4	93-00806-20	1	Cable, power, China, 6'6" (2.0 m)
4	1023214	1	Cable, power, Japan, 6'6" (2.0 m)
5	1009826	1	Bracket, wall mount, blue, SBX8/SBM6
6	RPEN-SBM6	1	Replacement Pens for SMART Board SBM600 Series - Set of Two
7	1020535	1	Assembly, SBM6 pen ledge / tray mounting hardware
8	FRU-DSP-SBM600	1	FRU, digital signal processor (controller), SBM600
9	1019506	1	Ledge, pen, SBM6
10	1028021	1	Power supply, 5V DC, 2A, universal switching
11	1022762	1	Kit, back corner spacer, SBM6 (set of four)

SBM685V Parts



Item	Part No.	Qty	Description
1	FRU-CAM-SBM685-A	2	FRU, camera, SBM685, position 0 and 2
2	FRU-CAM-SBM685-B	2	FRU, camera, SBM685, position 1 and 3
3	93-00828-20	1	Cable, USB, A-B, 16' (5.0 m), SBX8
4	93-00592-20	1	Cable, power, North America, 6'6" (2.0 m)
4	93-00543-20	1	Cable, power, United Kingdom, 6'6" (2.0 m)
4	93-00576-20	1	Cable, power, Australia, 6'6" (2.0 m)
4	93-00542-20	1	Cable, power, Europe, 6'6" (2.0 m)
4	93-00806-20	1	Cable, power, China, 6'6" (2.0 m)
4	1023214	1	Cable, power, Japan, 6'6" (2.0 m)
5	1009826	2	Bracket, wall mount, blue, SBX8/SBM6
6	RPEN-SBM6	1	Replacement Pens for SMART Board SBM600 Series - Set of Two
7	1020535	1	Assembly, SBM6 pen ledge / tray mounting hardware
8	FRU-DSP-SBM600	1	FRU, digital signal processor (controller), SBM600
9	1019506	1	Ledge, pen, SBM6
10	1028021	1	Power supply, 5V DC, 2A, universal switching
11	1022762	1	Kit, back corner spacer, SBM6 (set of four)

Optional Board Mounting Hardware Kit (Part No. 1020342)

NOTE: SBM685V requires two kits.

