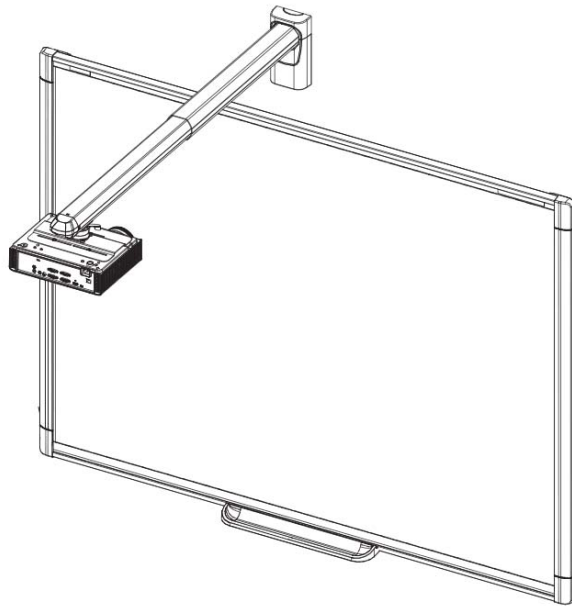


SMART[®]



Service Parts Diagrams

**For Model:
SBM680Viv2**

Service Parts Diagrams Revision History

Revision 1 - October, 2014

- New document

Revision 2 - March, 2015

- Add additional parts

Revision 3 - February, 2017

- Add 1022762
- Change 1013652 to 1028021

Standard Warranty Terms

Base Product: Your interactive whiteboard has a two-year limited equipment warranty. The projector has a three-year limited equipment warranty. The original lamp included with the V30 projector has a 3000-hour/three-year warranty. Purchased replacement lamps would have a 1000-hour/one-year warranty.

First Customer Ship: October, 2014

SMART Technologies

3636 Research Road NW
Calgary, AB T2L 1Y1
CANADA

Support +1.403.228.5940 or Toll Free 1.866.518.6791 (Canada/U.S.)

Support Fax +1.403.806.1256

www.smarttech.com/contactserviceparts www.smarttech.com

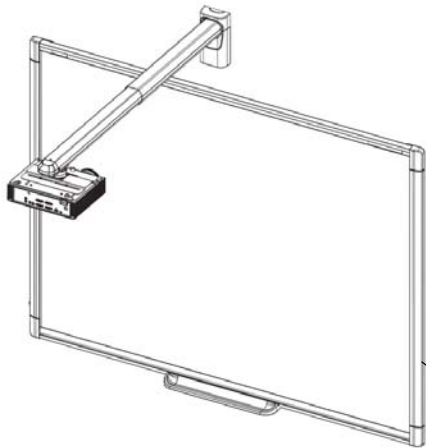


Service Parts Diagrams for the SBM680Viv2

- Identifying Your Product Using the Serial Number 1
- Ordering Parts 1
- SBM680V Parts 2
- Optional Board Mounting Hardware Kit (Part No. 1020342) 3
- V30 Parts 4
- Optional Projector Mounting Hardware Kit Assembly (Part No. 1013576) 6

Identifying Your Product Using the Serial Number

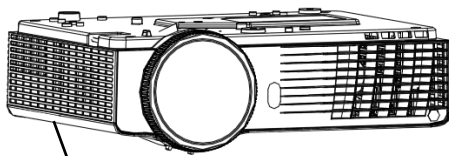
To make sure that you have the correct service parts diagrams, you must verify the serial number of your SBM680Viv2 interactive whiteboard. The SMART Board serial number will be located on the side of the right hand bezel. When mounted, the projector serial number will be visible on the bottom of the projector. An example of the serial number format is shown below.



SMART Board Serial Number Location

Unique Serial Number

C002FW11A0103



Projector Serial Number Location

Unique Serial Number

B012GI10T0175

Ordering Parts

Customers

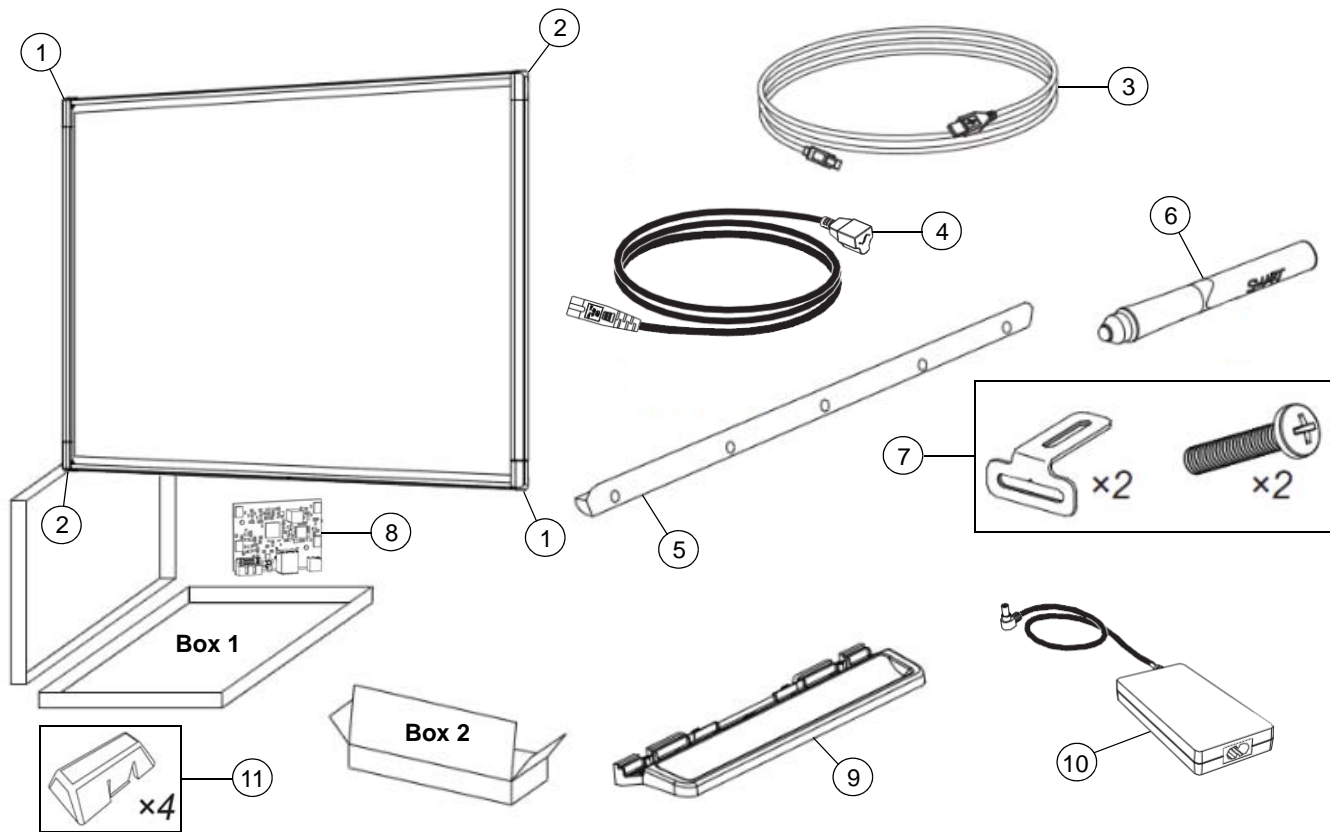
To order any of the parts in these service parts diagrams, contact your local reseller. To find a reseller near you, visit www.smarttech.com/where.

Dealers and Distributors

For specific technical and pricing enquiries in regards to these diagrams please contact our service parts department. Pricing is also available on-line via the SOURCE website (source.smarttech.com).

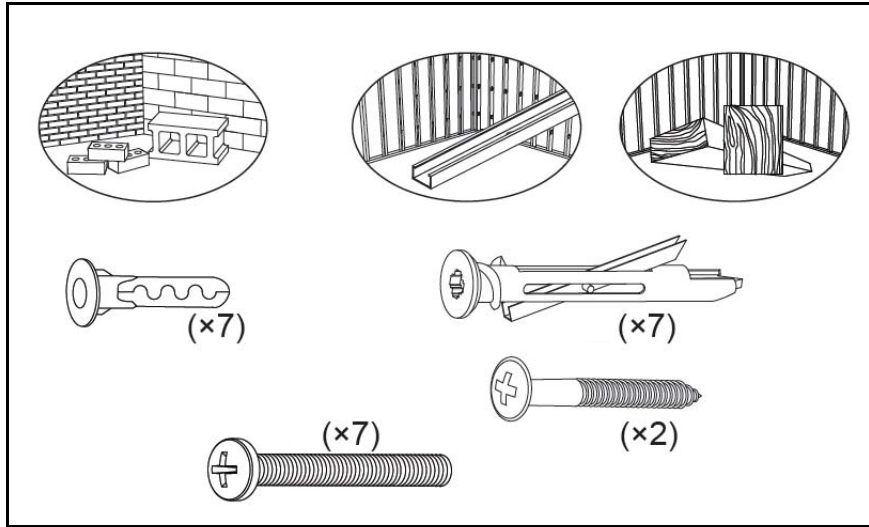
Web Form: www.smarttech.com/contactserviceparts
Phone: 1.888.42.SMART
International: +1.403.245.0333

SBM680V Parts

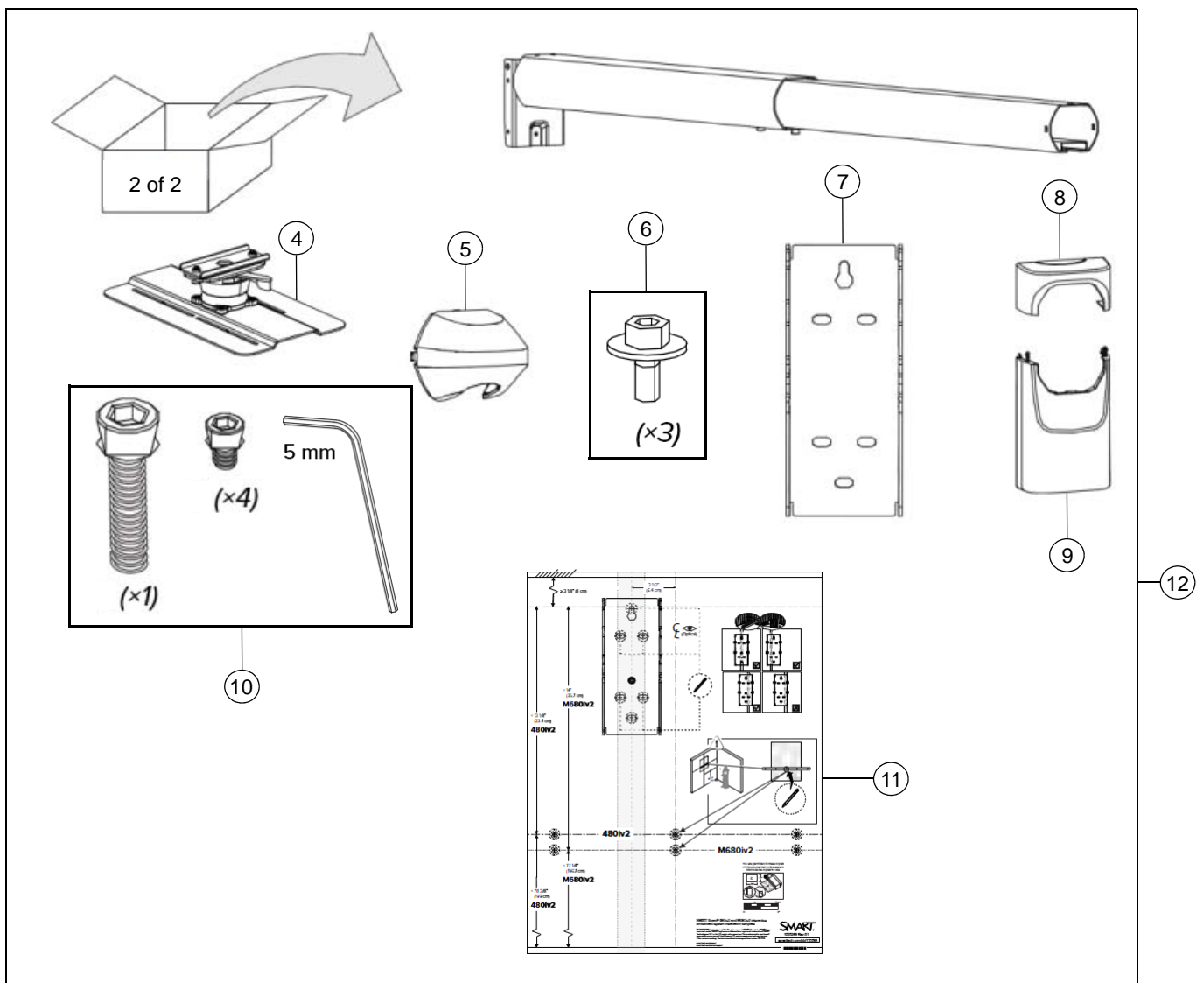
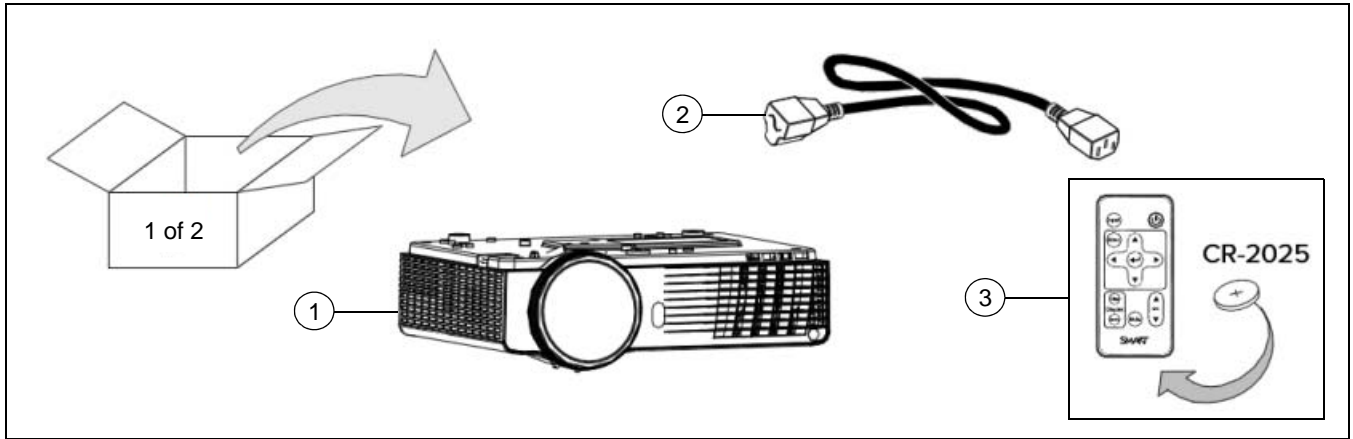


Item	Part No.	Qty	Description
1	FRU-CAM-SBM680-A	2	FRU, camera, SBM680, position 0 and 2
2	FRU-CAM-SBM680-B	2	FRU, camera, SBM680, position 1 and 3
3	93-00828-20	1	Cable, USB, A-B, 16' (5.0 m), SBX8
4	93-00592-20	1	Cable, power, North America, 6'6" (2.0 m)
4	93-00543-20	1	Cable, power, United Kingdom, 6'6" (2.0 m)
4	93-00576-20	1	Cable, power, Australia, 6'6" (2.0 m)
4	93-00542-20	1	Cable, power, Europe, 6'6" (2.0 m)
4	93-00806-20	1	Cable, power, China, 6'6" (2.0 m)
4	1023214	1	Cable, power, Japan, 6'6" (2.0 m)
5	1009826	1	Bracket, wall mount, blue, SBX8/SBM6
6	RPEN-SBM6	1	Replacement Pens for SMART Board SBM600 Series - Set of Two
7	1020535	1	Assembly, SBM6 pen ledge / tray mounting hardware
8	FRU-DSP-SBM600	1	FRU, digital signal processor (controller), SBM600
9	1019506	1	Ledge, pen, SBM6
10	1028021	1	Power supply, 5V DC, 2A, universal switching
11	1022762	1	Kit, back corner spacer, SBM6 (set of four)

Optional Board Mounting Hardware Kit (Part No. 1020342)



V30 Parts



Item	Part No.	Qty	Description
1	FRU-V30-PJR	1	FRU, V30 projector only NOTE: Includes projector and item 3.
2	93-00630-20	1	Cable, power, North America, 14' 9" (4.5 m)
2	93-00632-20	1	Cable, power, United Kingdom, 14' 9" (4.5 m)
2	93-00631-20	1	Cable, power, Europe, 14' 9" (4.5 m)
2	93-00629-20	1	Cable, power, Australia, 14' 9" (4.5 m)
2	93-00634-20	1	Cable, power, Japan, 14' 9" (4.5 m)
2	93-00633-20	1	Cable, power, China, 14' 9" (4.5 m)
2	93-00670-20	1	Cable, power, Korea, 14' 9" (4.5 m)
2	1018969	1	Cable, power, Singapore, 14' 9" (4.5 m)
2	1018970	1	Cable, power, India, 14' 9" (4.5 m)
2	1018971	1	Cable, power, Saudi Arabia, 14' 9" (4.5 m)
2	1018972	1	Cable, power, Brazil, 14' 9" (4.5 m)
2	1025597	1	Cable, power, Argentina, 14' 9" (4.5 m)
2	1025598	1	Cable, power, South Africa, 14' 9" (4.5 m)
2	1025603	1	Cable, power, Chile and Italy, 14' 9" (4.5 m)
3	03-00131-20	1	Remote control NOTE: Battery not included with replacement remotes.
4	1025912	1	Assembly, Projector Plate, Mounting System, V30
5	1025913	1	End Cap, Boom, Mounting System, V30
6	1025916	1	Assembly, Hardware Kit, Projector Mounting Bolts, V30 NOTE: For attaching item 4 to the projector.
7	1025915	1	Plate, Wall Mount, Mounting System V30
8	1025910	1	Cover, Mounting System, Top, V30
9	1025911	1	Cover, Mounting System, Bottom, V30
10	1025909	1	Assembly, Hardware Kit, Mounting System, V30 NOTE: For attaching item 7 to the boom arm.
11		1	Mounting Template, Projector, V30, SB480 and SBM680 NOTE: Can be downloaded via the following link: www.smarttech.com/kb/170783
12	1025291	1	Assembly, Mounting System, V30 Projection System
Not shown	1025290	1	Replacement Lamp for V30 Projector

Optional Projector Mounting Hardware Kit Assembly (Part No. 1013576)

