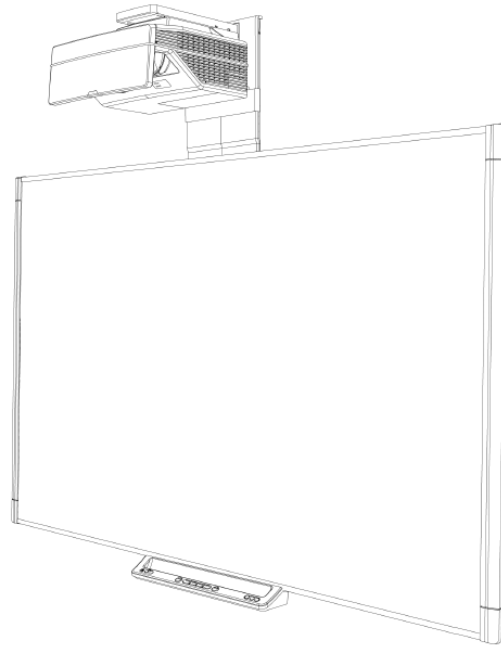


**SMART<sup>®</sup>**



***Service Parts  
Diagrams***

**For Model:  
SBM685ix2**

## Service Parts Diagrams Revision History

### Revision 1 - October, 2013

- New document

### Revision 2 - November, 2013

- Change 20-01623-20 to 1013576
- Add 1022202

### Revision 3 - January, 2014

- Add FRU-CAM-SBM680-A, FRU-CAM-SBM680-B, FRU-CAM-SBM685-A, FRU-CAM-SBM685-B and FRU-DSP-SBM600
- Change 52-00745-20 to 1009826

### Revision 4 - March, 2014

- Add 20-01495-20

### Revision 5 - October, 2014

- Change warranty information

### Revision 6 - February, 2017

- Add 1022762

### Standard Warranty Terms

Base Product: Your interactive whiteboard has a two-year limited equipment warranty. The projector has a three-year limited warranty. The UX80 projector lamp has a 3000-hour/three-year warranty.

First Customer Ship: October, 2013

---

#### SMART Technologies

3636 Research Road NW  
Calgary, AB T2L 1Y1  
CANADA

Support +1.403.228.5940 or Toll Free 1.866.518.6791 (Canada/U.S.)

Support Fax +1.403.806.1256

[www.smarttech.com/contactserviceparts](http://www.smarttech.com/contactserviceparts) [www.smarttech.com](http://www.smarttech.com)



# Service Parts Diagrams for the SBM685ix2

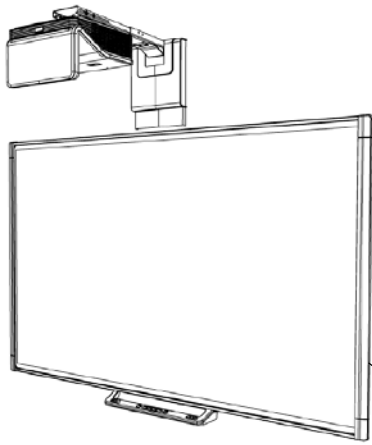
---

- Identifying Your Product Using the Serial Number ..... 1
- Ordering Parts ..... 1
- SBM685i Parts ..... 2
- Optional Video Connector Kit Assembly for SB600/SBM600 Series  
(Part No. 20-01495-20) ..... 3
- Optional Board Mounting Hardware Kit (Part No. 1020342) ..... 4
- UX80 Parts ..... 5
- Optional Projector Mounting Hardware Kit Assembly (Part No. 1013576) ..... 7



## Identifying Your Product Using the Serial Number

To make sure that you have the correct service parts diagrams, you must verify the serial number of your SBM685ix2 interactive whiteboard. The SMART Board serial number will be located on the side of the right hand bezel. When mounted, the projector serial number will be visible on the top of the projector or it is also located behind the input/output panel cover. An example of the serial number format is shown below.

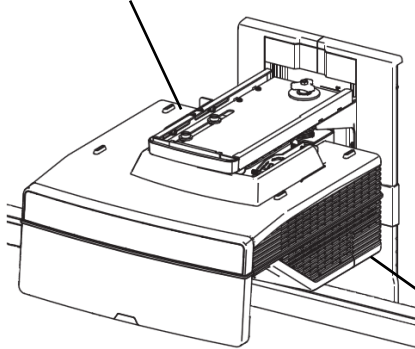


Unique Serial Number

**C002FW11A0103**

SMART Board Serial Number Location

Projector Serial Number Location



Unique Serial Number

**B011EL13M0132**

Projector Serial Number Location  
(will be visible with the input/output cover removed)

## Ordering Parts

### Customers

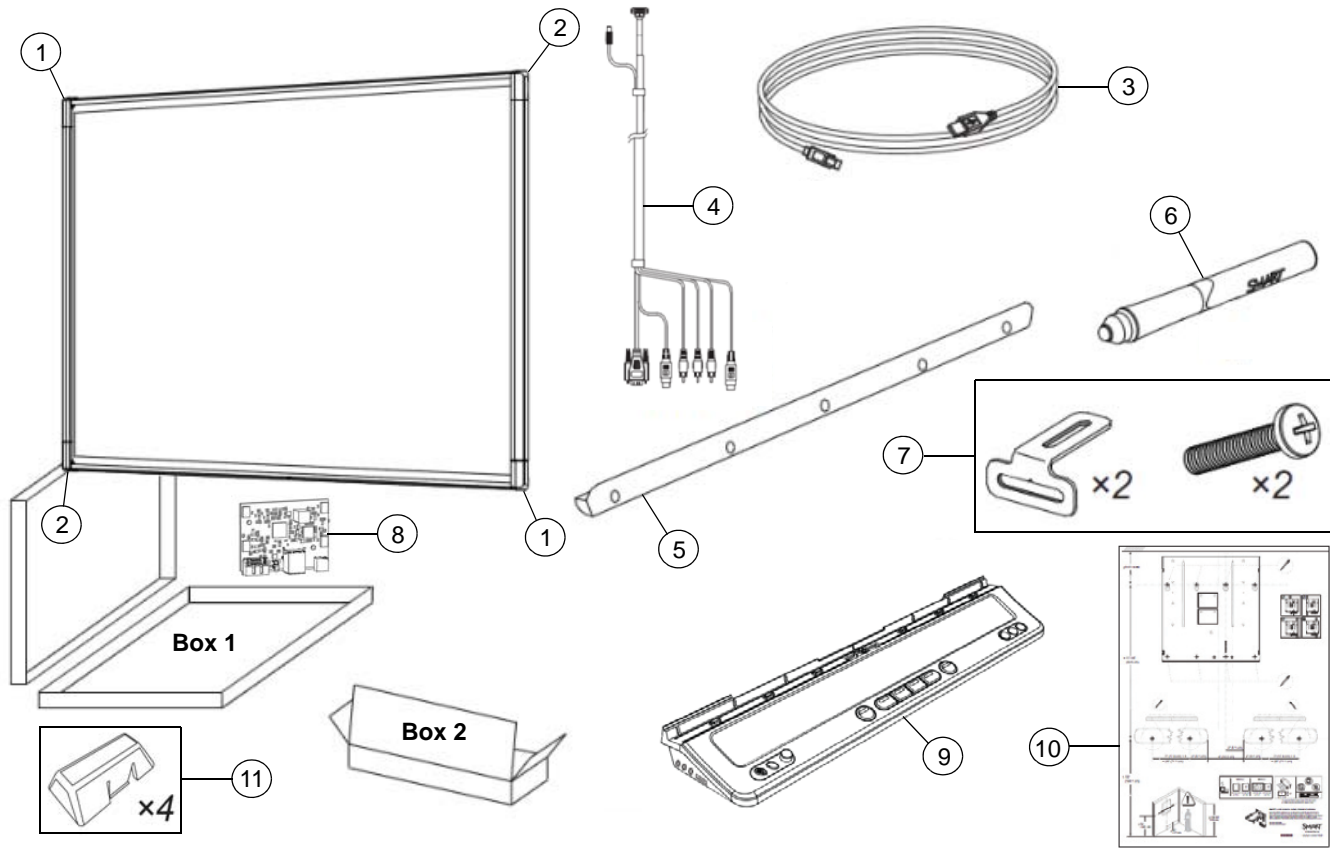
To order any of the parts in these service parts diagrams, contact your local reseller. To find a reseller near you, visit [www.smarttech.com/where](http://www.smarttech.com/where).

### Dealers and Distributors

For specific technical and pricing enquiries in regards to these diagrams please contact our service parts department. Pricing is also available on-line via the SOURCE website ([source.smarttech.com](http://source.smarttech.com)).

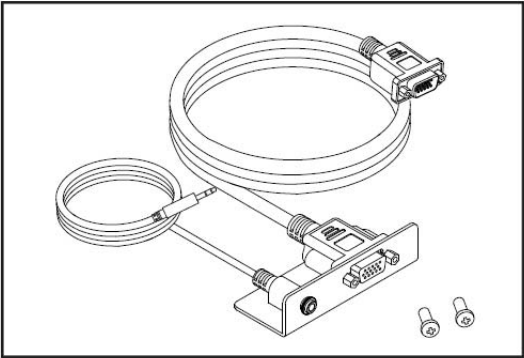
Web Form: [www.smarttech.com/contactserviceparts](http://www.smarttech.com/contactserviceparts)  
Phone: 1.888.42.SMART  
International: +1.403.245.0333

# SBM685i Parts



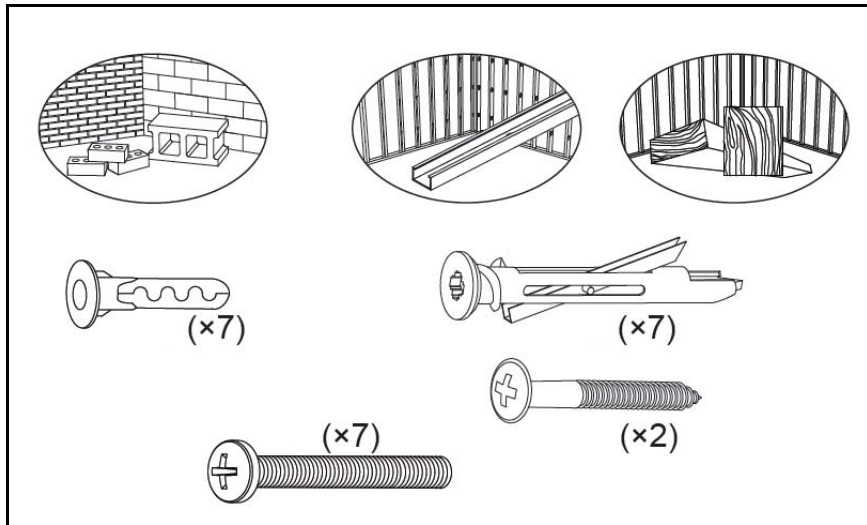
Item	Part No.	Qty	Description
1	FRU-CAM-SBM685-A	2	FRU, camera, SBM685, position 0 and 2
2	FRU-CAM-SBM685-B	2	FRU, camera, SBM685, position 1 and 3
3	93-00828-20	1	Cable, USB, A-B, 16' (5.0 m), SBX8
4	1019332	1	Cable, pen tray to projector, SBM6, 12' (3.65 m)
5	1009826	2	Bracket, wall mount, blue, SBX8/SBM6
6	RPEN-SBM6	1	Replacement Pens for SMART Board SBM600 Series - Set of Two
7	1020535	1	Assembly, SBM6 pen ledge / tray mounting hardware
8	FRU-DSP-SBM600	1	FRU, digital signal processor (controller), SBM600
9	FRU-PT-SBM600I	1	FRU, Pen Tray, SBM600i (with SMART projector controls)
10	1022202	1	Template, mounting, UX80 with SBM685
11	1022762	1	Kit, back corner spacer, SBM6 (set of four)

**Optional Video Connector Kit Assembly for SB600/SBM600 Series  
(Part No. 20-01495-20)**



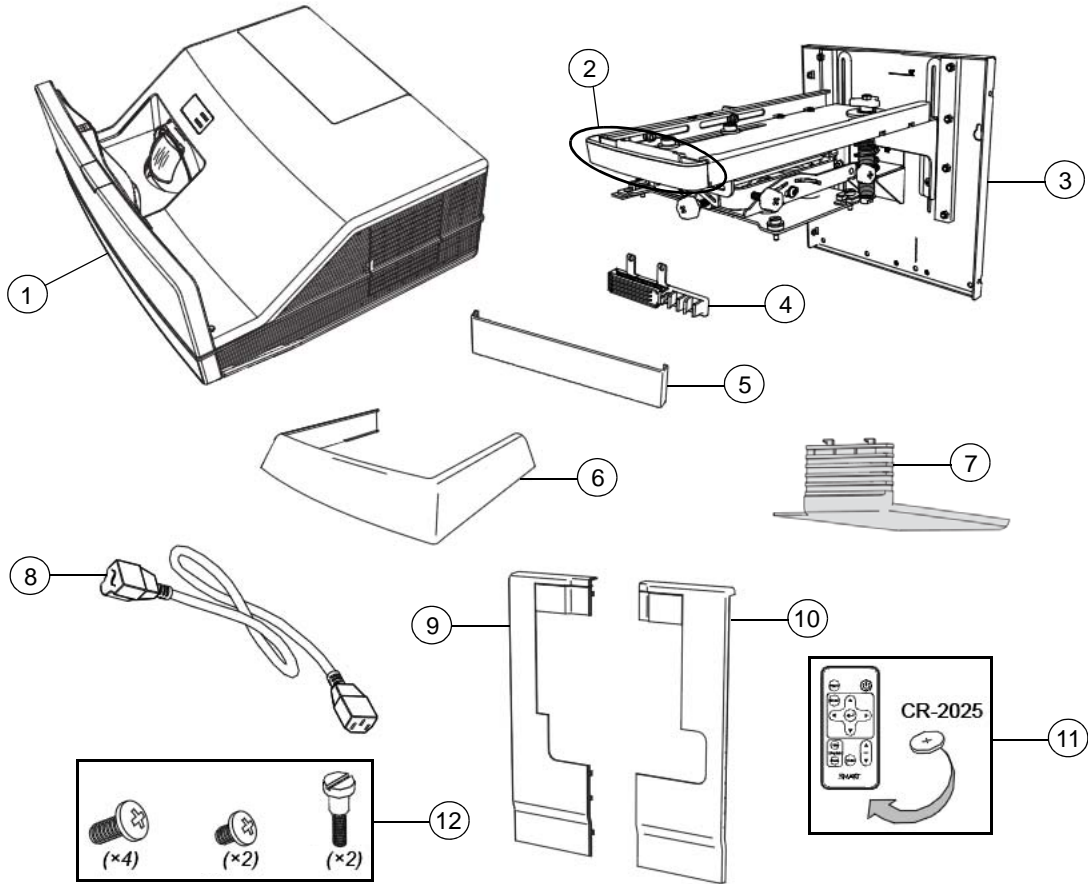
# Optional Board Mounting Hardware Kit (Part No. 1020342)

NOTE: SBM685ix2 requires two kits.





# UX80 Parts



Item	Part No.	Qty	Description
1	FRU-UX80-PJR	1	FRU, UX80 projector only
2	1017516	1	Cap, cosmetic, boom
3	1016782	1	Assembly, adjustment module, WXGA <b>NOTE:</b> Includes adjustment module and item 2.
4	52-00651-20	1	Clip, wire management, wall plate
5	1017166	1	Cover, cable
6	1017682	1	Cover, adjustment module
7	1020038	1	Cover, input/output panel, projector <b>NOTE:</b> Comes attached to the projector.
8	93-00630-20	1	Cable, power, North America, 14' 9" (4.5 m)
8	93-00632-20	1	Cable, power, United Kingdom, 14' 9" (4.5 m)
8	93-00631-20	1	Cable, power, Europe, 14' 9" (4.5 m)
8	93-00629-20	1	Cable, power, Australia, 14' 9" (4.5 m)
8	93-00634-20	1	Cable, power, Japan, 14' 9" (4.5 m)
8	93-00633-20	1	Cable, power, China, 14' 9" (4.5 m)
8	93-00670-20	1	Cable, power, Korea, 14' 9" (4.5 m)

9	1017164	1	Cover, wall plate, left
10	1017163	1	Cover, wall plate, right
11	03-00131-20	1	Remote control <b>NOTE: CR-2025 battery not included with replacement remotes.</b>
12	1018395	1	Assembly, hardware kit
Not shown	1019270	1	Door, lamp cover, projector, UX80 <b>NOTE: Comes attached to the projector.</b>
Not shown	1018740	1	Replacement Lamp for UX80 Projector

**Optional Projector Mounting Hardware Kit Assembly (Part No. 1013576)**

