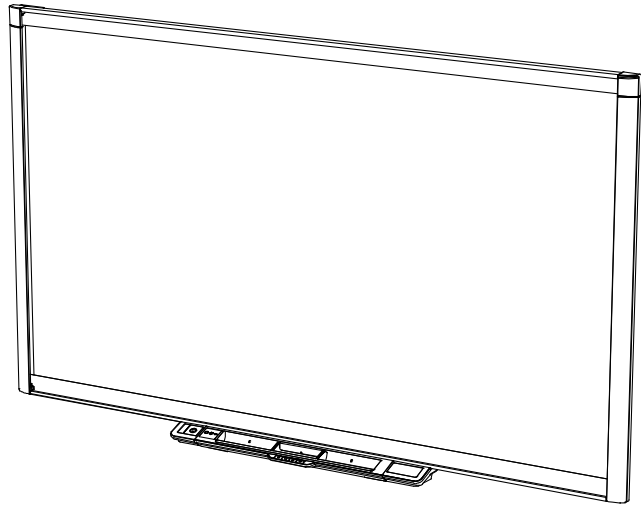


# SMART<sup>®</sup>



## *Service Parts Diagrams*

**For Model:**

**SBX880 revision 3**

**SBX885 revision 3**

**Applies only to models with serial numbers with the following format:**

**G012HW25Y0546**

**G012HW29U0152**

## Service Parts Diagrams Revision History

### Revision 1 - August, 2015

- New document

### Revision 2 - September, 2020

- Remove FRU-SBX8WM
- Add 1009826 and 1016938

### Standard Warranty Terms

Base Product: Your interactive whiteboard has a two-year limited equipment warranty or a five-year limited equipment warranty upon registration.

First Customer Ship: July, 2015

---

#### SMART Technologies

3636 Research Road NW  
Calgary, AB T2L 1Y1  
CANADA

Support +1.403.228.5940 or Toll Free 1.866.518.6791 (Canada/U.S.)

Support Fax +1.403.806.1256

[www.smarttech.com/contactserviceparts](http://www.smarttech.com/contactserviceparts) [www.smarttech.com](http://www.smarttech.com)



# Service Parts Diagrams for the SMART Board 800 Series Interactive Whiteboards

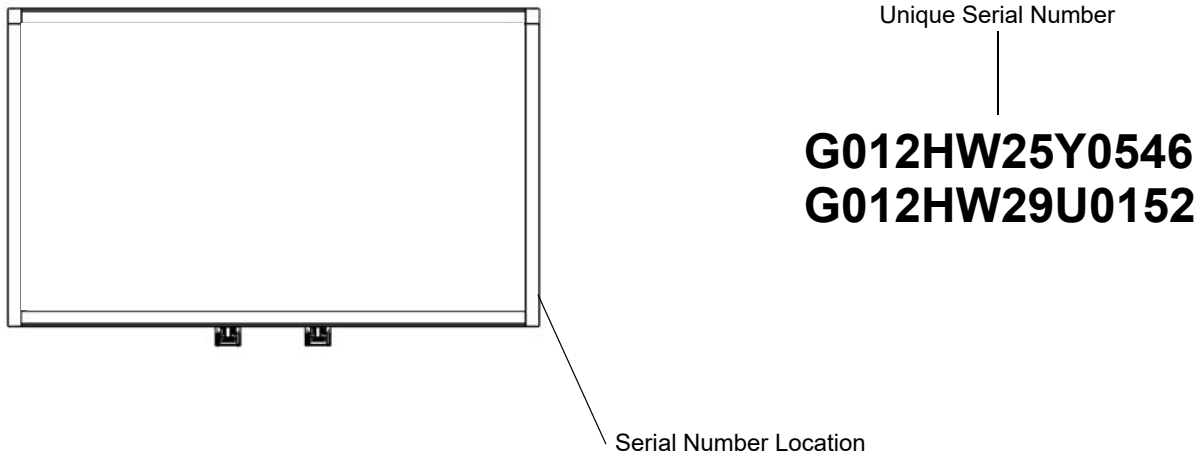
---

- Identifying Your Product Using the Serial Number ..... 1
- Ordering Parts ..... 1
- SBX880 Parts ..... 2
- SBX885 Parts ..... 4



## Identifying Your Product Using the Serial Number

To make sure that you have the correct service parts diagrams, you must verify the serial number of your SMART Board 800 series interactive whiteboard. The serial number will be located on the side of the right hand bezel as shown below. An example of the serial number format is shown below.



## Ordering Parts

### Customers

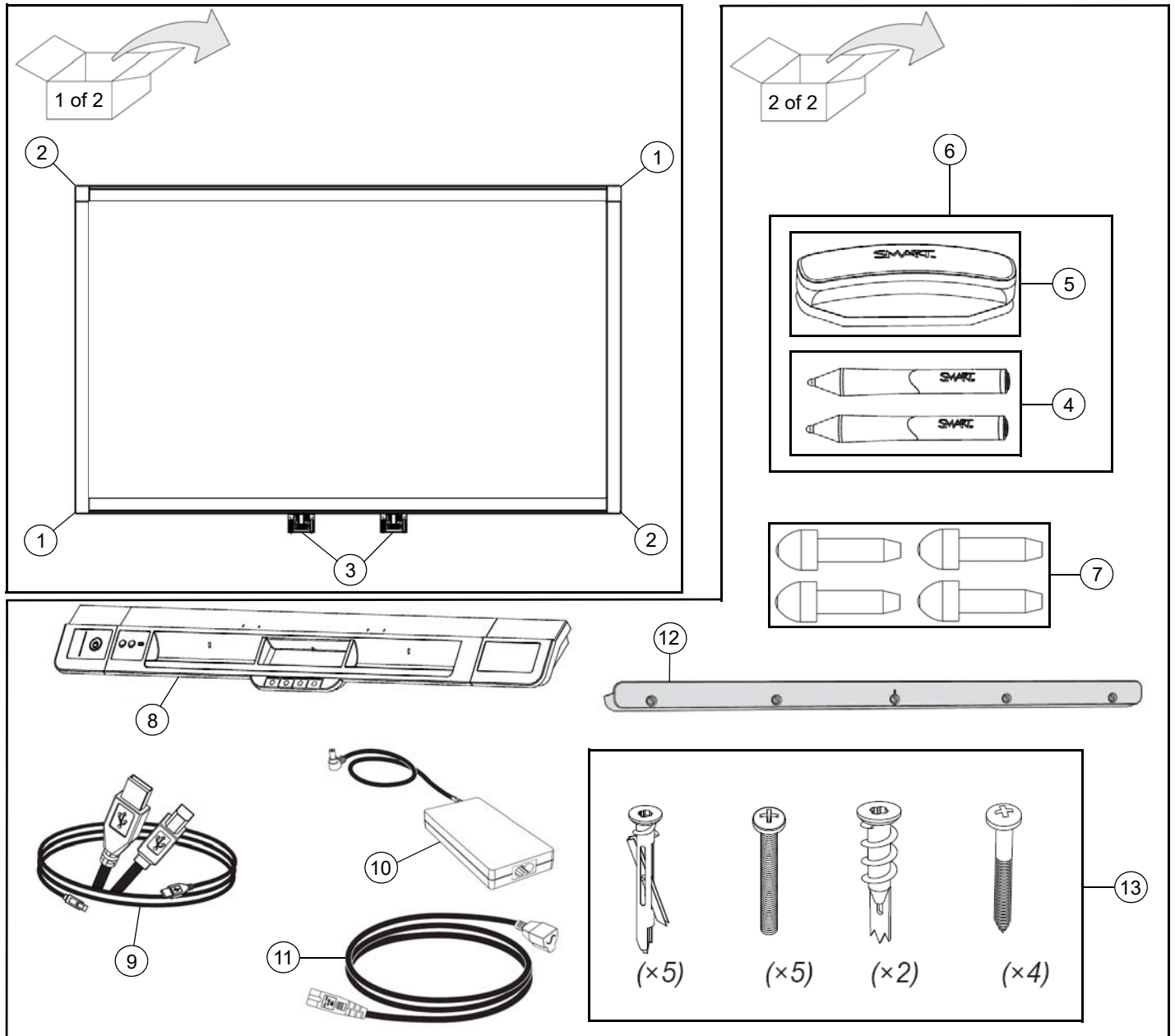
To order any of the parts in these service parts diagrams, contact your local reseller. To find a reseller near you, visit [www.smarttech.com/where](http://www.smarttech.com/where).

### Dealers and Distributors

For specific technical and pricing enquiries in regards to these diagrams please contact our service parts department. Pricing is also available on-line via the SOURCE website ([source.smarttech.com](http://source.smarttech.com)).

Web Form: [www.smarttech.com/contactserviceparts](http://www.smarttech.com/contactserviceparts)  
Phone: 1.888.42.SMART  
International: +1.403.245.0333

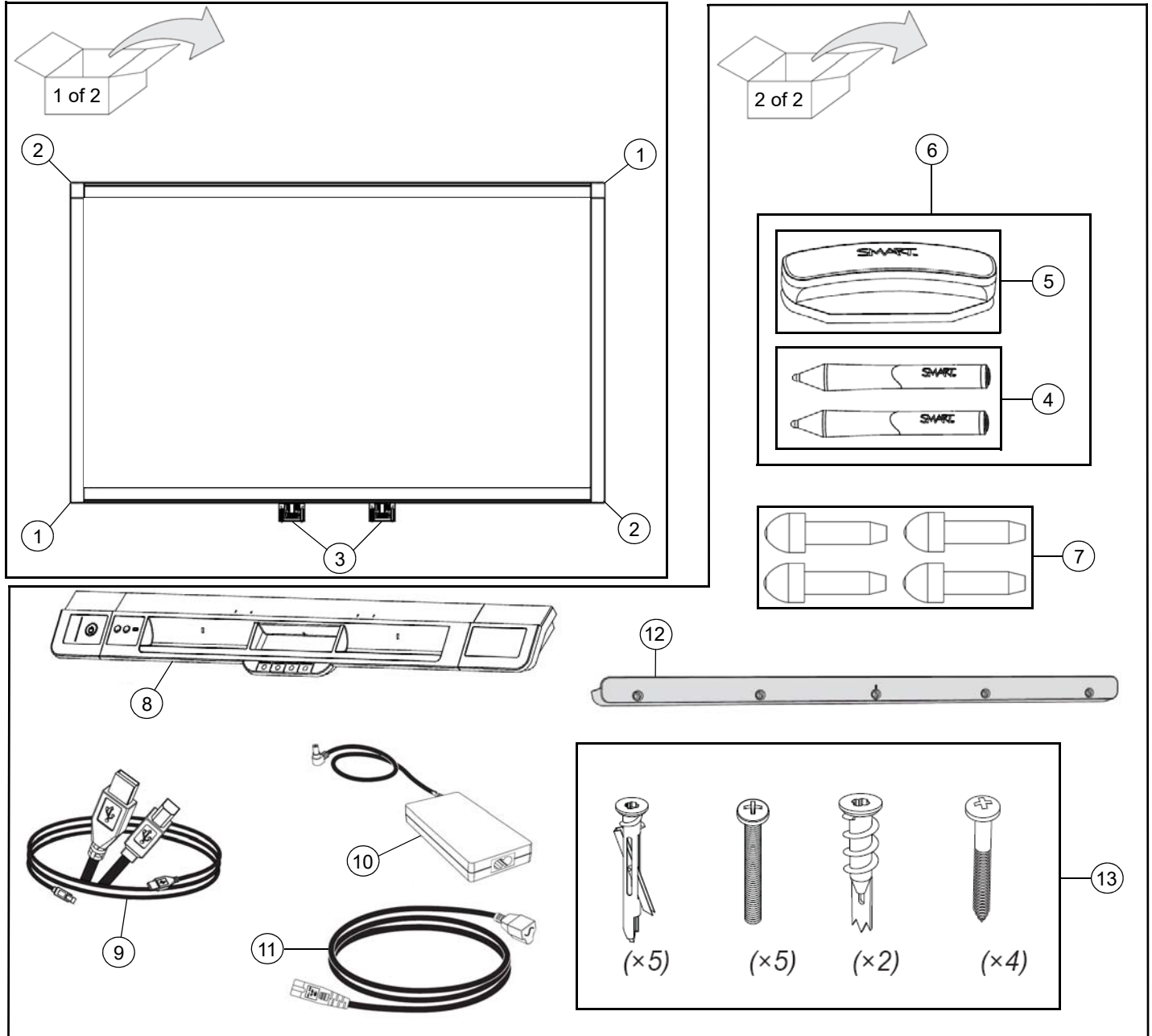
# SBX880 Parts



Item	Part No.	Qty	Description
1	FRU-CAM2-SBX880-A	2	FRU, camera A, revision 2, SBX880, position 0 and 2
2	FRU-CAM2-SBX880-B	2	FRU, camera B, revision 2, SBX880, position 1 and 3
3	51-00817-20	2	Bracket, mounting, pen tray
4	RPEN-SBX8	1	Replacement Pens for SMART Board X800 Series for Education - Set of Two <b>NOTE:</b> These pens are designed for education users and are wider and lighter than the business pens. The education pens can be identified by a flat plastic end cap.
5	RERASER-SBX8	1	Replacement Eraser for SMART Board X800 Series

6	RPEN-ER-SBX8	1	Replacement Pens and Eraser for SMART Board X800 Series for Education - Set of Two Pens <b>NOTE:</b> This kit contains the education version of the pens which are wider and lighter than the business pens. The education pens can be identified by a flat plastic end cap.
7	FRU-NIB-SBX8	1	Replacement Nibs for SBX8 Pen - Set of Four
8	FRU-PT14-2	1	FRU, pen tray, PT14, revision 2
9	93-00828-20	1	Cable, USB, A-B, 16' (5.0 m), SBX8
10	1028021	1	Power supply, 5V DC, 2A, universal switching
11	93-00592-20	1	Cable, power, North America, 6' 6" (2.0 m)
11	93-00542-20	1	Cable, power, Europe, 6' 6" (2.0 m)
11	93-00543-20	1	Cable, power, United Kingdom, 6' 6" (2.0 m)
11	93-00576-20	1	Cable, power, Australia, 6' 6" (2.0 m)
11	93-00806-20	1	Cable, power, China, 6' 6" (2.0 m)
12	1009826	1	Bracket, wall mount, blue, SBX8/SBM6
13	1016938	1	Assembly, hardware kit, wall mount, SBX8
Not shown	1013718	1	Cable, harness, pen tray to cameras, SBX880 <b>NOTE:</b> Connects camera 0, 1, 2, and 3 to the pen tray.

# SBX885 Parts



Item	Part No.	Qty	Description
1	FRU-CAM2-SBX885-A	2	FRU, camera A, revision 2, SBX885, position 0 and 2
2	FRU-CAM2-SBX885-B	2	FRU, camera B, revision 2, SBX885, position 1 and 3
3	51-00817-20	2	Bracket, mounting, pen tray
4	RPEN-SBX8	1	Replacement Pens for SMART Board X800 Series for Education - Set of Two <b>NOTE:</b> These pens are designed for education users and are wider and lighter than the business pens. The education pens can be identified by a flat plastic end cap.
5	RERASER-SBX8	1	Replacement Eraser for SMART Board X800 Series



6	RPEN-ER-SBX8	1	Replacement Pens and Eraser for SMART Board X800 Series for Education - Set of Two Pens <b>NOTE:</b> This kit contains the education version of the pens which are wider and lighter than the business pens. The education pens can be identified by a flat plastic end cap.
7	FRU-NIB-SBX8	1	Replacement Nibs for SBX8 Pen - Set of Four
8	FRU-PT14-2	1	FRU, pen tray, PT14, revision 2
9	93-00828-20	1	Cable, USB, A-B, 16' (5.0 m), SBX8
10	1028021	1	Power supply, 5V DC, 2A, universal switching
11	93-00592-20	1	Cable, power, North America, 6' 6" (2.0 m)
11	93-00542-20	1	Cable, power, Europe, 6' 6" (2.0 m)
11	93-00543-20	1	Cable, power, United Kingdom, 6' 6" (2.0 m)
11	93-00576-20	1	Cable, power, Australia, 6' 6" (2.0 m)
11	93-00806-20	1	Cable, power, China, 6' 6" (2.0 m)
12	1009826	2	Bracket, wall mount, blue, SBX8/SBM6
13	1016938	2	Assembly, hardware kit, wall mount, SBX8
Not shown	1013719	1	Cable, harness, pen tray to cameras, SBX885 <b>NOTE:</b> Connects camera 0, 1, 2, and 3 to the pen tray.

