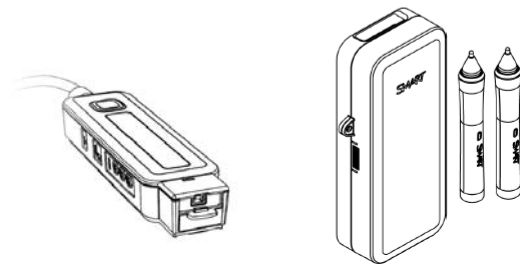
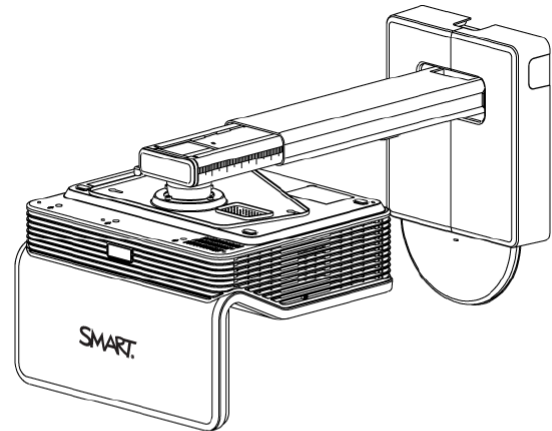


SMART[®]



Service Parts Diagrams

For Model:
SLR60wi2
SLR60wi2-SMP
SLR-XCP

Service Parts Diagrams Revision History

Revision 1 - February, 2014

- New document

Standard Warranty Terms

The projector, interactive pen and XCP have a three-year limited equipment warranty. The projector lamp has a 1000-hour/one-year warranty.

First Customer Ship: February, 2014

SMART Technologies

3636 Research Road NW

Calgary, AB T2L 1Y1

CANADA

Support +1.403.228.5940 or Toll Free 1.866.518.6791 (Canada/U.S.)

Support Fax +1.403.806.1256

www.smarttech.com/contactserviceparts www.smarttech.com

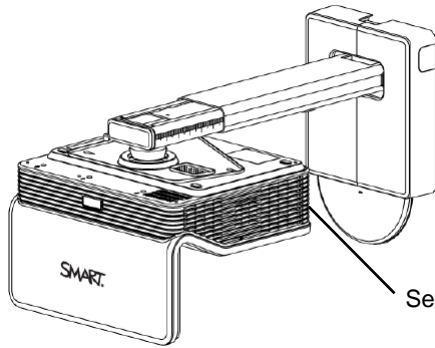


Service Parts Diagrams for the SLR60wi2

- Identifying Your Product Using the Serial Number 1
- Ordering Parts 1
- SLR60wi2 Parts 2
- Extended Control Panel (XCP) 4
- Optional Mounting Hardware Kit Assembly (Part No. 1013576) 5

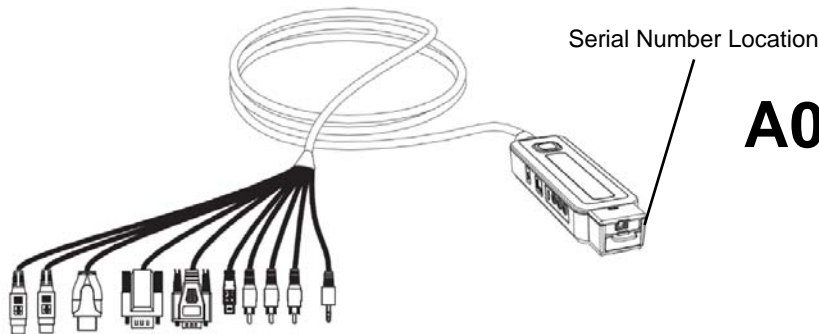
Identifying Your Product Using the Serial Number

To make sure that you have the correct service parts diagrams, you must verify the serial number of your SLR60wi2. The serial number is located on the back of the projector where the input/output connections are located. The serial number of the XCP is located on the right side of the connection panel. An example of the serial number format is shown below.



B011GA07S0191

Unique Serial Number



A052FW23C0037

Unique Serial Number

Ordering Parts

Customers

To order any of the parts in these service parts diagrams, contact your local reseller. To find a reseller near you, visit www.smarttech.com/where.

Dealers and Distributors

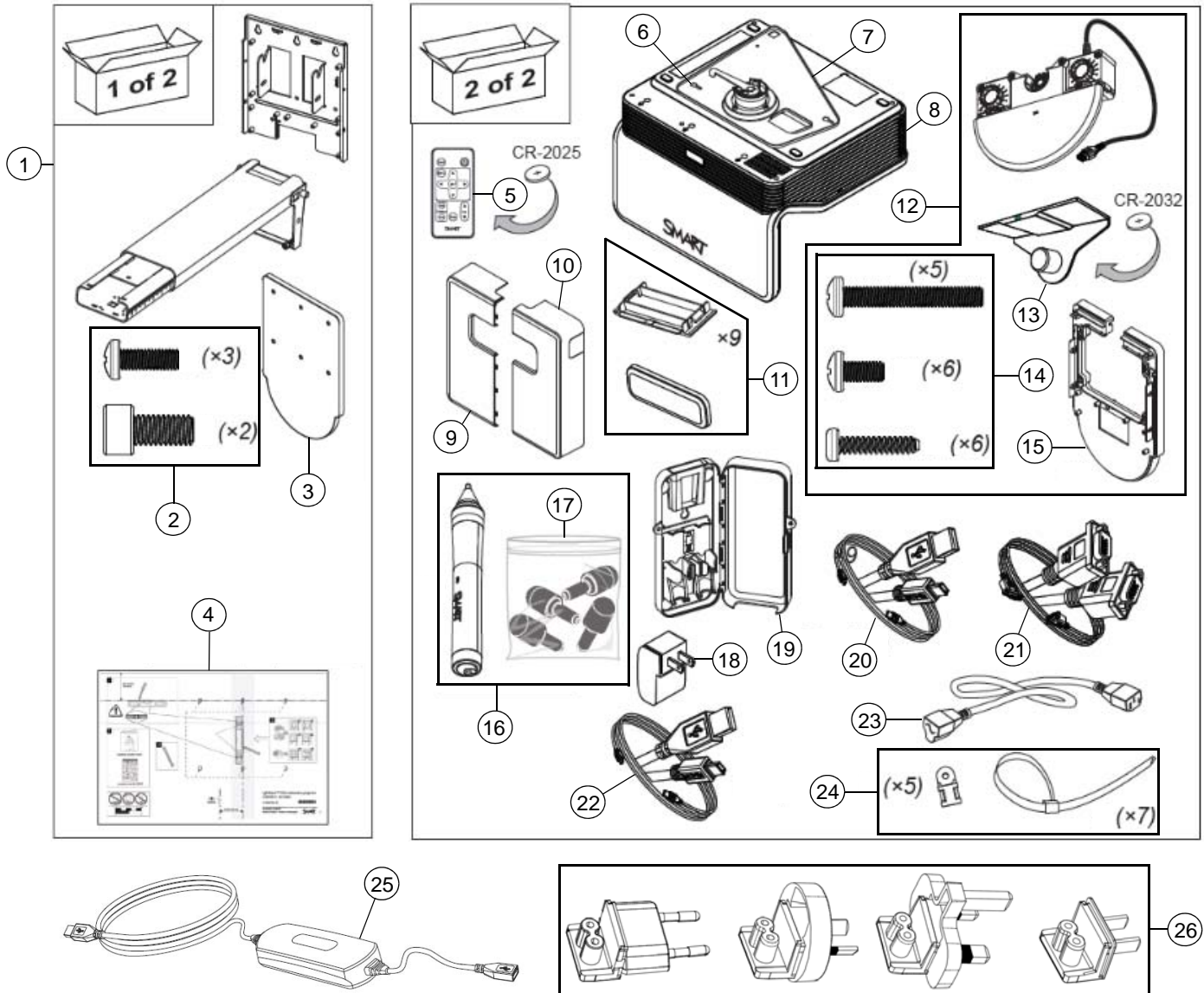
For specific technical and pricing enquiries in regards to these diagrams please contact our service parts department. Pricing is also available on-line via the SOURCE website (source.smarttech.com).

Web Form: www.smarttech.com/contactserviceparts

Phone: 1.888.42.SMART

International: +1.403.245.0333

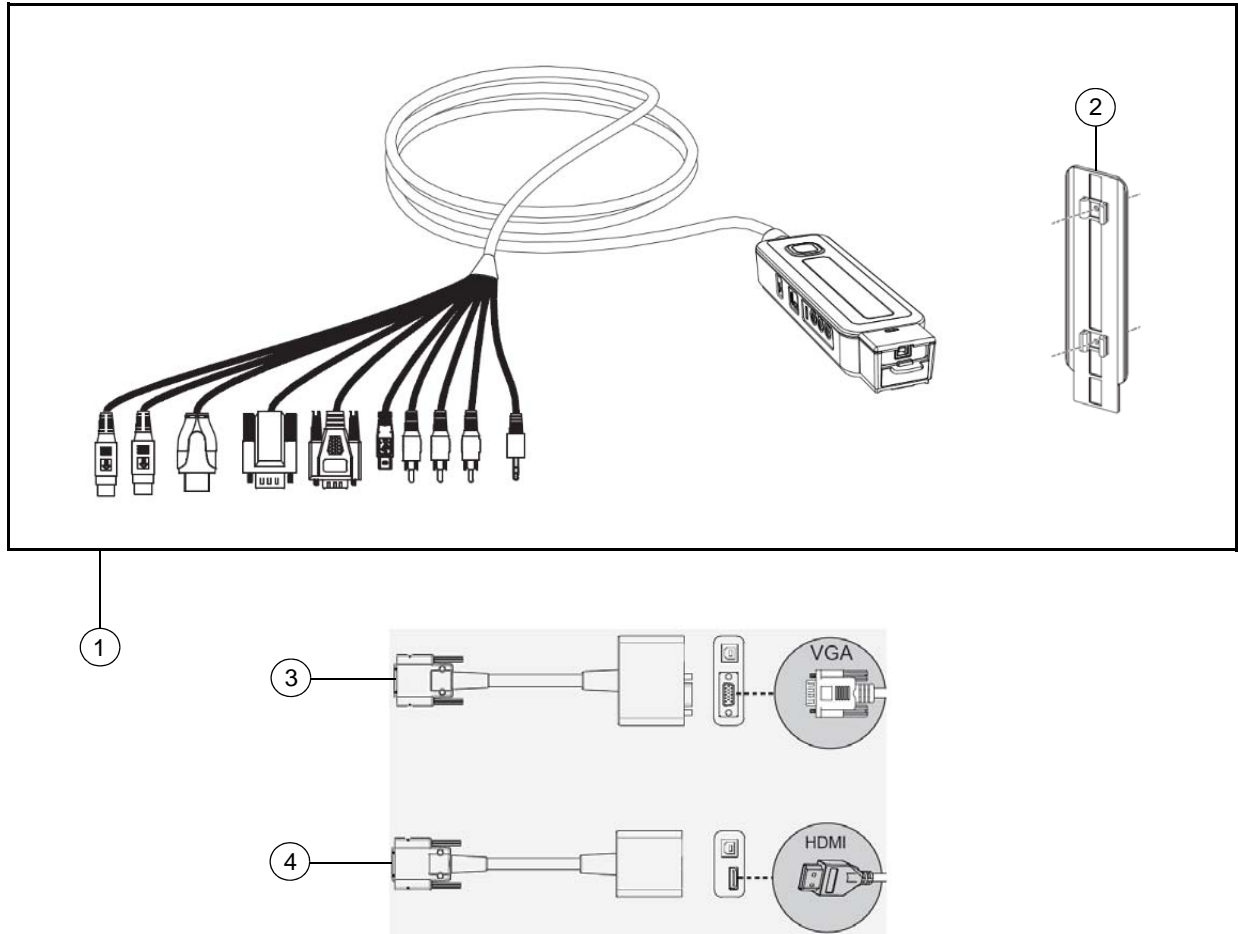
SLR60wi2 Parts



Item	Part No.	Qty	Description
1	1022425	1	Kit, projector boom, LightRaise NOTE: Includes boom arm, wall plate and items 2, 3, 4.
2	1018873	1	Assembly, hardware kit, boom
3	1019831	1	Assembly, shim, wall bracket, half-curtain travel
4	1018490	1	Template, mounting, LightRaise 60wi
5	03-00131-20	1	Remote control NOTE: CR-2025 battery is not included with replacement remotes.
6	1018751	4	Screw, M4 x 8 mm, Phillips, pan head NOTE: For attaching item 7 to the projector.
7	1022287	1	Assembly, ball joint, SLR60wi2 NOTE: Comes attached to the projector.

8	FRU-SLR60WI2-PJR	1	FRU, LightRaise 60wi2 Projector Only NOTE: Includes projector and items 6, 7.
9	1019865	1	Assembly, wall cover, left, projector boom
10	1019866	1	Assembly, wall cover, right, projector boom
11	1020453	1	Assembly, boom plastic, SLR60wi
12	1018949	1	Kit, light curtain, LightRaise 60wi NOTE: Includes light curtain and items 13, 14, 15.
13	1019410	1	Assembly, curtain alignment tool NOTE: CR-2032 battery is included.
14	1019726	1	Assembly, hardware kit, light curtain
15	1019833	1	Assembly, wall spacer, projector boom, SLR60wi - set of two
16	RPEN-SLR60	2	Replacement Pen for LightRaise 60wi NOTE: Includes pen and item 17.
17	FRU-NIB-SLR60WI	1	Replacement Nibs for LightRaise 60wi - Set of Four
18	1019272	1	Power adapter, A/C, NEMA 1-15, USB A NOTE: Includes plug adapter for North America.
19	1017709	1	Assembly, pen holder, LightRaise 60wi
20	1018744	1	Cable, USB A to USB Mini-B, 16' (5.0 m)
21	1017287	1	Cable, video, HD15 male to HD15 male, 16' (5.0 m)
22	1017281	1	Cable, USB A to USB Mini-B, 9' 10" (3.0 m)
23	93-00630-20	1	Cable, power, North America, 14' 9" (4.5 m)
23	93-00632-20	1	Cable, power, United Kingdom, 14' 9" (4.5 m)
23	93-00631-20	1	Cable, power, Europe, 14' 9" (4.5 m)
23	93-00629-20	1	Cable, power, Australia, 14' 9" (4.5 m)
23	93-00634-20	1	Cable, power, Japan, 14' 9" (4.5 m)
23	93-00633-20	1	Cable, power, China, 14' 9" (4.5 m)
23	1018971	1	Cable, power, Saudi Arabia, 14' 9" (4.5 m)
23	1018970	1	Cable, power, India, 14' 9" (4.5 m)
23	1018969	1	Cable, power, Singapore, 14' 9" (4.5 m)
23	1018967	1	Cable, power, Italy, 14' 9" (4.5 m)
23	1018968	1	Cable, power, Switzerland, 14' 9" (4.5 m)
23	1018972	1	Cable, power, Brazil, 14' 9" (4.5 m)
24	1019775	1	Assembly, tie wraps and mounts
25	GW-MPPE	1	SMART GoWire auto-launch cable with Meeting Pro Personal Edition NOTE: Only included with the SLR60wi2-SMP.
26	1020901	1	Kit, international charger convertors, LightRaise 60wi NOTE: Includes international plug adapters (Europe, United Kingdom, Australia and China) to be used with 1019272. This item is only included with projectors destined for locations outside of North and South America.
Not shown	1020766	1	Door, lamp cover, SLR60wi2 and UF70/UF70w NOTE: Comes attached to the projector.
Not shown	1020991	1	Replacement Lamp for UF70, UF70w and SLR60wi2 Projectors

Extended Control Panel (XCP)



Item	Part No.	Qty	Description
1	SLR-XCP	1	Kit, Control Panel, Extended (XCP) NOTE: Only included with the SLR60wi2-SMP. Includes XCP and item 2.
2	1017342	1	Bracket, wall mount
3	1017071	1	Dongle, VGA, XCP NOTE: This item is optional and is not included with SLR-XCP.
4	1017070	1	Dongle, HDMI, XCP NOTE: This item is optional and is not included with SLR-XCP.

Optional Mounting Hardware Kit Assembly (Part No. 1013576)

