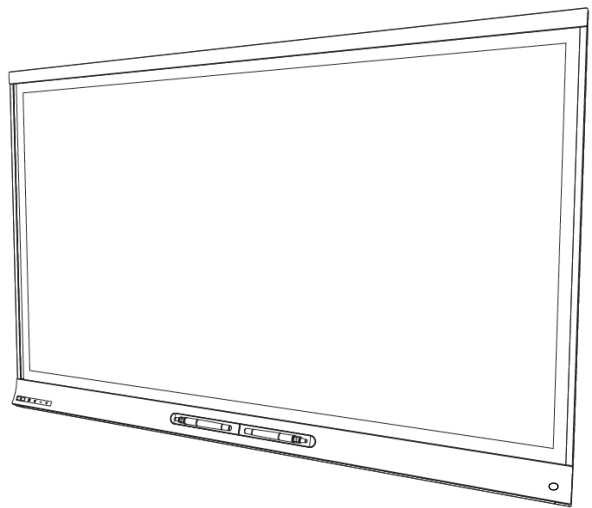


SMART[®]



Service Parts Diagrams

**For Model:
SPNL-6265-V3
SBID-6265**

Service Parts Diagrams Revision History

Revision 1 - September, 2019

- New document

Standard Warranty Terms

Base product: Three-year limited equipment warranty

First Customer Ship:

SBID-6265 - August, 2018

SPNL-6265-V3 - December, 2018

SMART Technologies

3636 – Research Road NW

Calgary, AB T2L 1Y1

CANADA

Support +1.403.228.5940 or Toll Free 1.866.518.6791 (Canada/U.S.)

Support Fax +1.403.806.1256

www.smarttech.com/contactserviceparts www.smarttech.com

The SMART logo consists of the word "SMART" in a bold, stylized, sans-serif font. The letters are black with a white outline, and a registered trademark symbol (®) is located at the bottom right of the letter "T".

Service Parts Diagrams for the SPNL-6265-V3/SBID-6265

Identifying Your Product Using the Serial Number 1
Ordering Parts 1
SPNL-6265-V3/SBID-6265 Parts 2

Identifying Your Product Using the Serial Number

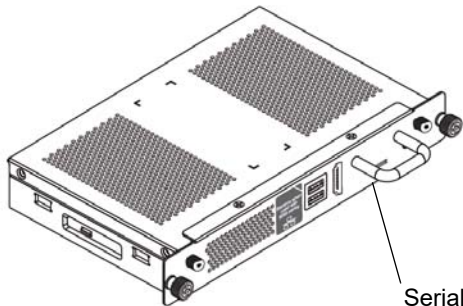
To make sure that you have the correct service parts diagrams, you must verify the serial number of your SPNL-6265-V3/SBID-6265. The serial number of the flat panel display will be located on the right underside of the bottom bezel. The serial number of the AM40 will be located on the bottom of the appliance. An example of the serial number format is shown below.



Serial Number Location

Unique Serial Number

F102KW05D0012



Serial Number Location

Unique Serial Number

F102JW27B00111
or
F102KW51N00925

Ordering Parts

Customers

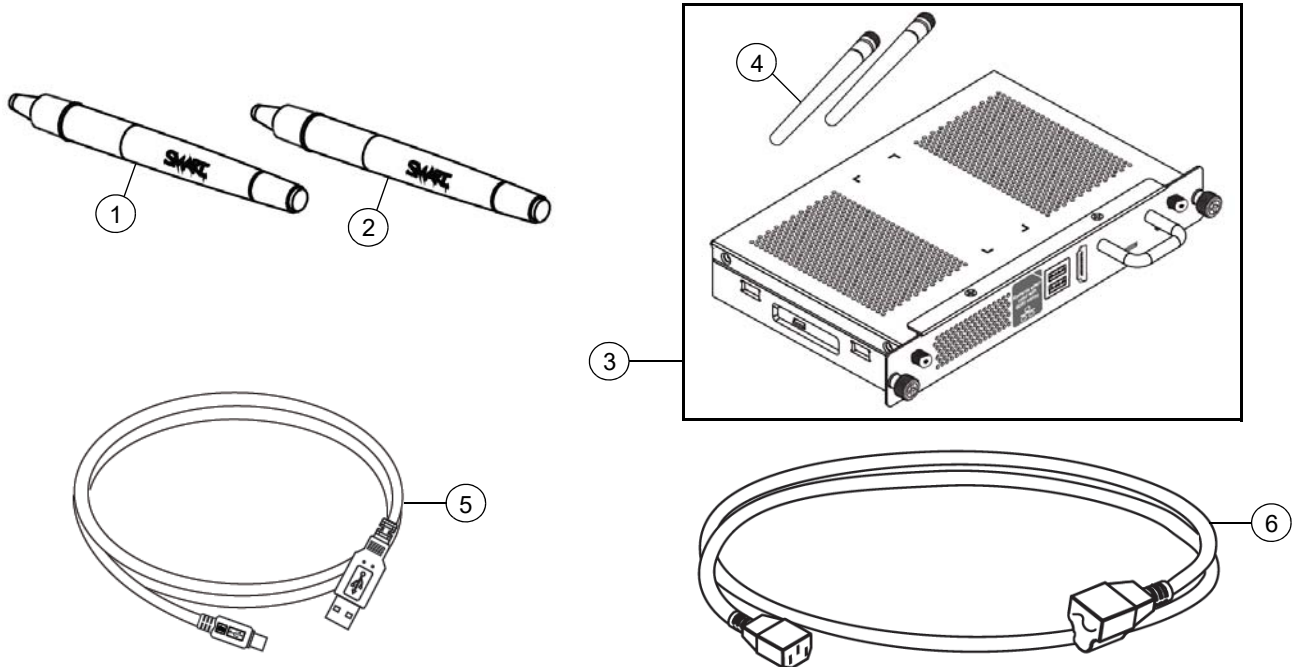
To order any of the parts in these service parts diagrams, contact your local reseller. To find a reseller near you, visit www.smarttech.com/where.

Dealers and Distributors

For specific technical and pricing enquiries in regards to these diagrams please contact our service parts department. Pricing is also available on-line via the SOURCE website (source.smarttech.com).

Web Form: www.smarttech.com/contactserviceparts
Phone: 1.888.42.SMART
International: +1.403.245.0333

SPNL-6265-V3/SBID-6265 Parts



Item	Part No.	Qty	Description
1	1028647	1	Replacement Pen for SPNL-6000 Series and SBID8000-G5 Series - Red
2	1028646	1	Replacement Pen for SPNL-6000 Series and SBID8000-G5 Series - Black
3	UGK-AM40-EDU	1	Appliance for Education for SMART Board 6000/7000 Series interactive flat panels NOTE: Includes AM40 and 2 pieces of item 4.
4	1029824	2	Antenna
5	1028289	1	Cable, USB, A-B, 16' (5.0 m)
6	1022063	1	Cable, power, North America, 8' (2.4 m)
6	93-055	1	Cable, power, United Kingdom, 8' (2.4 m)
6	93-056	1	Cable, power, Australia, 8' (2.4 m)
6	93-054	1	Cable, power, Europe, 8' (2.4 m)
6	93-00708-20	1	Cable, power, China, 8' (2.4 m)
6	93-00654-20	1	Cable, power, Japan, 8' (2.4 m)
6	93-063	1	Cable, power, South Africa, 8' (2.4 m)
6	1018969	1	Cable, power, Singapore, 14' 9" (4.5 m)
6	1018970	1	Cable, power, India, 14' 9" (4.5 m)
6	1018971	1	Cable, power, Saudi Arabia, 14' 9" (4.5 m)
6	1018972	1	Cable, power, Brazil, 14' 9" (4.5 m)
6	1025597	1	Cable, power, Argentina, 14' 9" (4.5 m)
6	1025603	1	Cable, power, Chile and Italy, 14' 9" (4.5 m)
6	1030859	1	Cable, power, Korea, 8' (2.4 m)
Not shown	FRU-PKG-SBID-6065	1	Kit, packaging, SPNL-6265-V3/SBID-6265