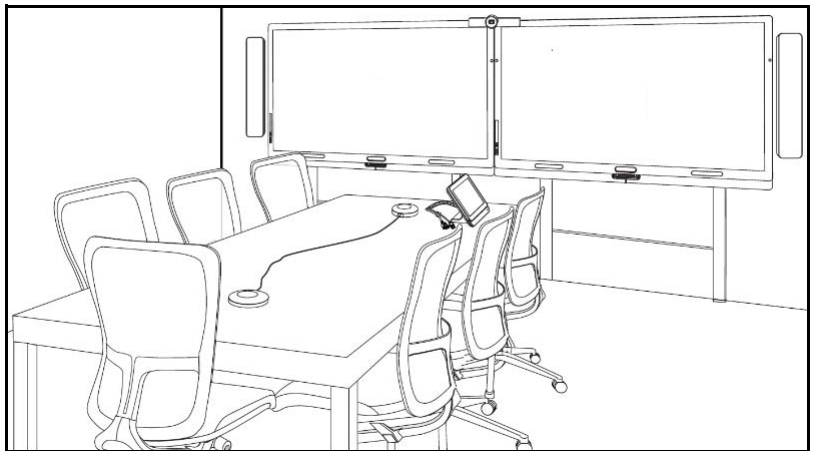


SMART[®]



Service Parts Diagrams

**For Model:
SRS-Lync-L**

Service Parts Diagrams Revision History

Revision 1 - August, 2013

- New document

Standard Warranty Terms

Base product: Two-year limited equipment warranty

First Customer Ship: August, 2013

SMART Technologies

3636 – Research Road NW

Calgary, AB T2L 1Y1

CANADA

Support +1.403.228.5940 or Toll Free 1.866.518.6791 (Canada/U.S.)

Support Fax +1.403.806.1256

www.smarttech.com/contactserviceparts www.smarttech.com

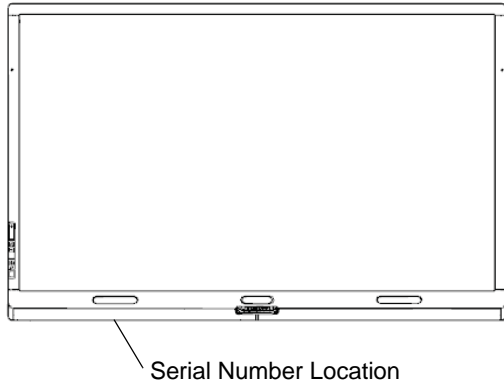
The SMART logo consists of the word "SMART" in a bold, stylized, sans-serif font. The letters are black with a white outline, and a registered trademark symbol (®) is located at the bottom right of the letter "T".

Service Parts Diagrams for the SRS-Lync-L

Identifying Your Product Using the Serial Number	1
Ordering Parts	1
SBID8070i-G4 Parts	2
Assembly, Speakers, CSR500 (Part No. 1017846)	3
Assembly, Camera, CAM301 (Part No. 1019674)	4
Assembly, Cable and Accessories, SRS-Lync-X (Part No. 1019885)	5
Assembly, Control Panel, CP311 (Part No. 1018288)	6
Assembly, Monaural Audio System (Part No. 1018285)	7
Assembly, Wall Mount, WM-SBID-501 (Part No. 1019207)	
NOTE: SRS-Lync-L includes two pieces of 1019207	8
Optional wallstand kit for large SMART Room System (Part No. WSK-L)	9

Identifying Your Product Using the Serial Number

To make sure that you have the correct service parts diagrams, you must verify the serial number of your SRS-Lync-L. The serial number will be located on the left underside of the pen ledge on the SBID8070i-G4 displays. An example of the serial number format is shown below.



Unique Serial Number

K012FW29F0073

Ordering Parts

Customers

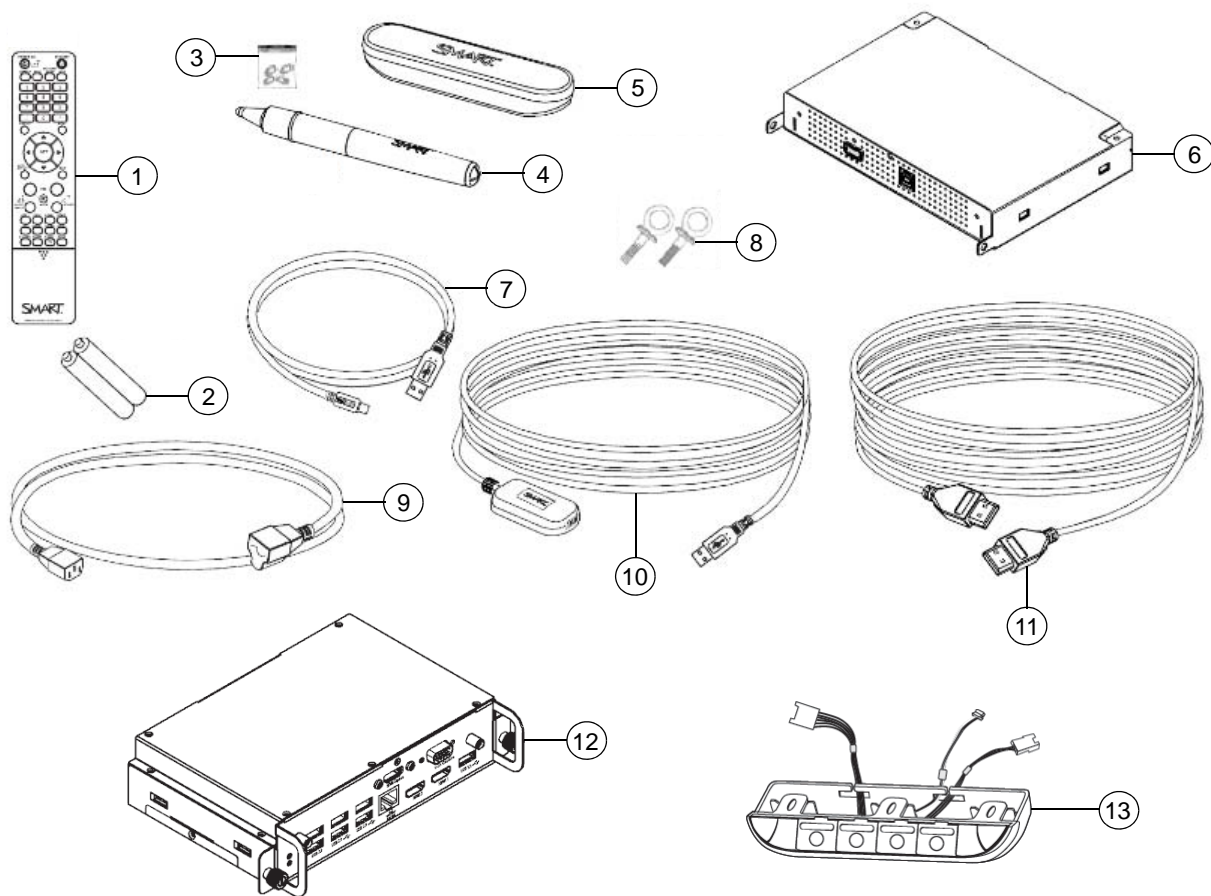
To order any of the parts in these service parts diagrams, contact your local reseller. To find a reseller near you, visit www.smarttech.com/where.

Dealers and Distributors

For specific technical and pricing enquiries in regards to these diagrams please contact our service parts department. Pricing is also available on-line via the SOURCE website (source.smarttech.com).

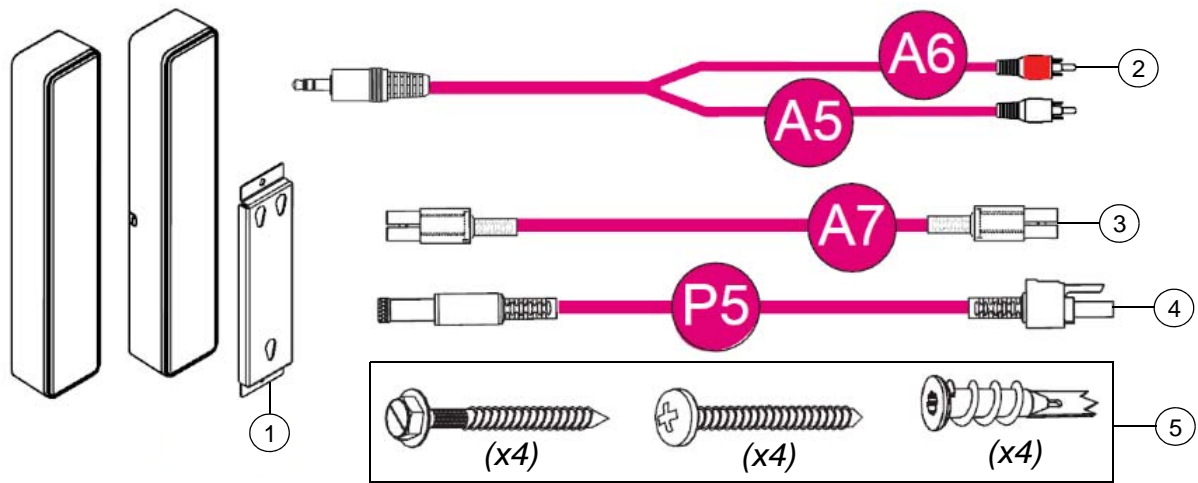
Web Form: www.smarttech.com/contactserviceparts
Phone: 1.888.42.SMART
International: +1.403.245.0333

SBID8070i-G4 Parts



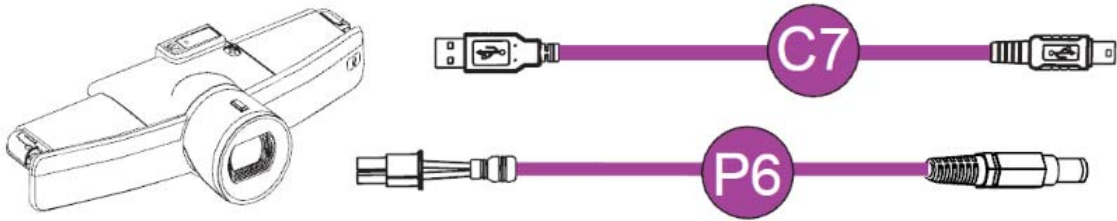
Item	Part No.	Qty	Description
1	1020371	2	Assembly, remote control, SBID8070i-G4
2	01-00257	4	Battery, AAA
3	FRU-NIB-SBID	2	Replacement Nibs for the SMART Board Interactive Display Pen - Set of Four
4	RPEN-SBID	4	Assembly, stylus NOTE: Includes set of four spare pen nibs (item 3).
5	RERASER-SBID	2	Assembly, eraser
6	SBID-G4-XTM	1	FRU, XTM (Slave Panel Interface Board, SPIB), SBID-G4
7	1019521	2	Cable, USB, A-B, 4' 3" (1.3 m)
8	30-01448-20	4	Eye bolt NOTE: Required only when lifting the display.
9	93-051	2	Cable, power, North America, 8' (2.4 m)
9	93-055	2	Cable, power, United Kingdom, 8' (2.4 m)
9	93-056	2	Cable, power, Australia, 8' (2.4 m)
9	93-054	2	Cable, power, Europe, 8' (2.4 m)
10	USB-XT	2	USB active extension cable 16' (5.0 m)
11	1019416	2	Cable, HDMI male to HDMI male, 20' 8" (6.3 m)
12	FRU-AM70-L	1	FRU, Computer, AM70-L
13	FRU-SBID-G4-CSM	2	FRU, Color Select Module (CSM), SBID-G4 NOTE: Comes attached to the SBID8070i-G4.

Assembly, Speakers, CSR500 (Part No. 1017846)

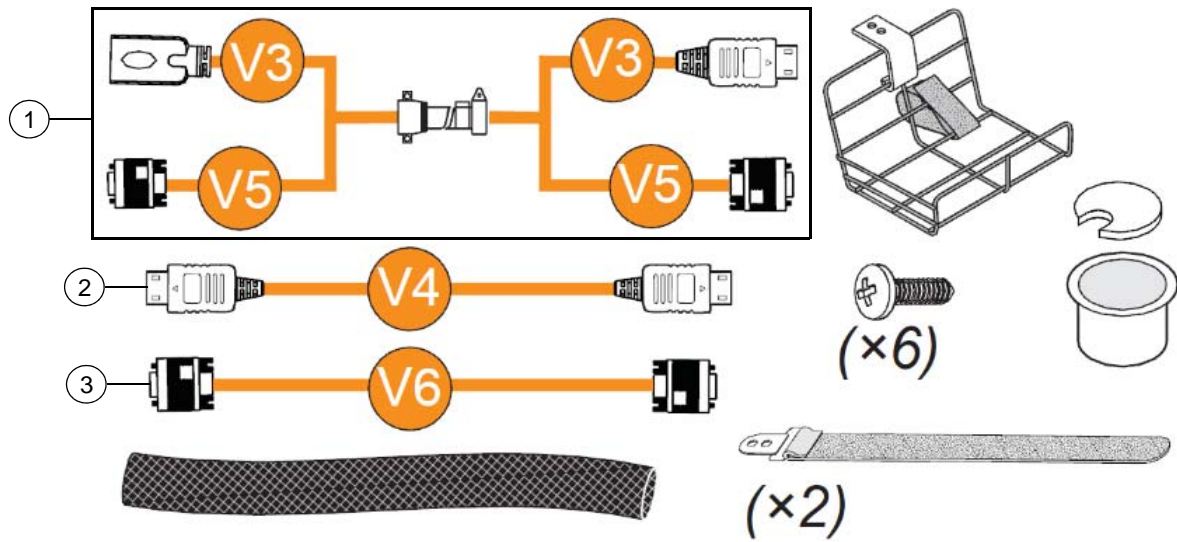


Item	Part No.	Qty	Description
1	1021019	2	Assembly, mounting bracket kit, CSR500
2	1019133	1	Cable, audio, 3.5 mm male to dual RCA male, 1' 7" (50 cm)
3	1019132	1	Cable, audio, left to right speaker, 16' (5.0 m)
4	1019134	1	Cable, power, 1' 7" (50 cm)
5	1021002	1	Assembly, hardware kit, CSR500

Assembly, Camera, CAM301 (Part No. 1019674)

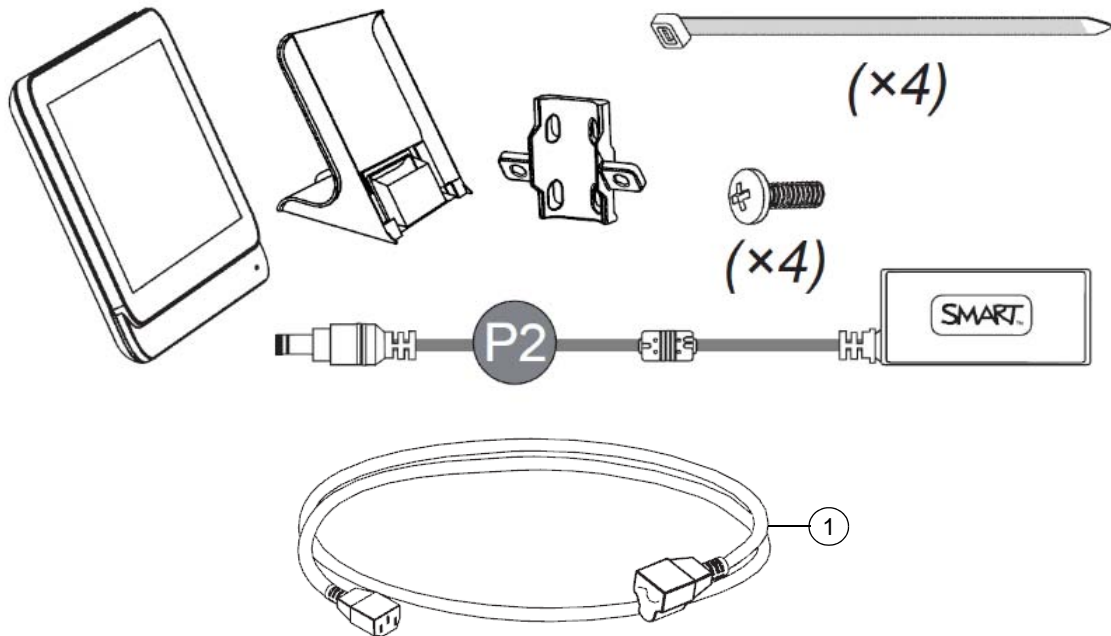


Assembly, Cable and Accessories, SRS-Lync-X (Part No. 1019885)



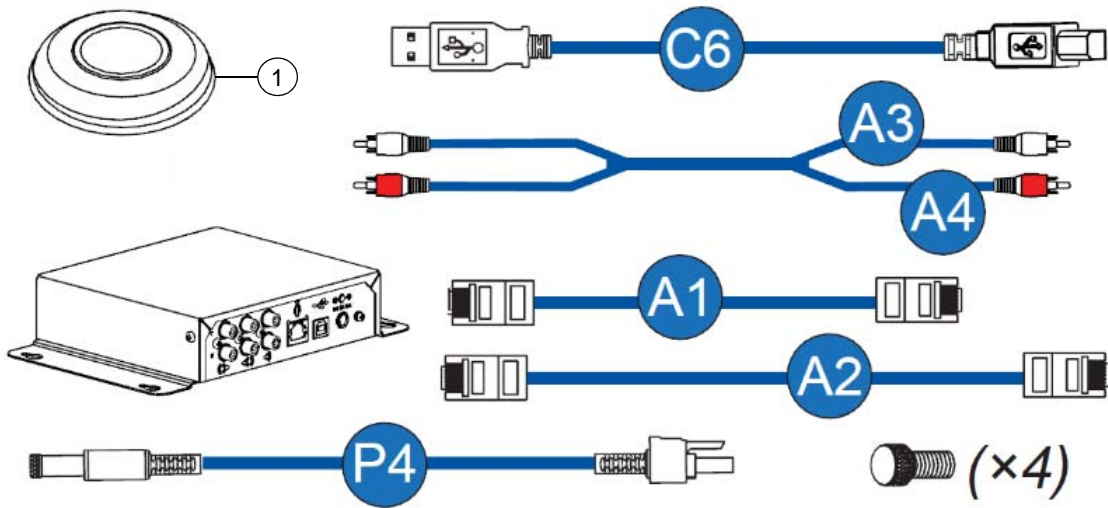
Item	Part No.	Qty	Description
1	1019403	1	Cable, extension, HDMI/HD15 female to HDMI/HD15 male, 9' 10" (3.0 m)
2	1019404	1	Cable, HDMI male to HDMI male, 20' 8" (6.3 m)
3	1019406	1	Cable, video, HD15 male to HD15 male, 20' 8" (6.3 m)

Assembly, Control Panel, CP311 (Part No. 1018288)



Item	Part No.	Qty	Description
1	93-051	1	Cable, power, North America, 8' (2.4 m) NOTE: Not included with part number 1018288.
1	93-055	1	Cable, power, United Kingdom, 8' (2.4 m) NOTE: Not included with part number 1018288.
1	93-056	1	Cable, power, Australia, 8' (2.4 m) NOTE: Not included with part number 1018288.
1	93-054	1	Cable, power, Europe, 8' (2.4 m) NOTE: Not included with part number 1018288.
1	93-051	1	Cable, power, North America, 8' (2.4 m) NOTE: Not included with part number 1018288.

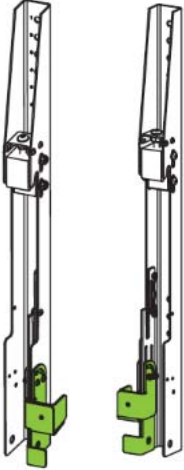
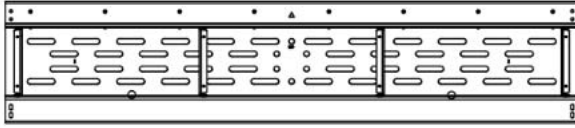
Assembly, Monaural Audio System (Part No. 1018285)









Item	Part No.	Qty	Description
1	MIC500	2	Microphone for SMART Room System NOTE: Includes cable A1.

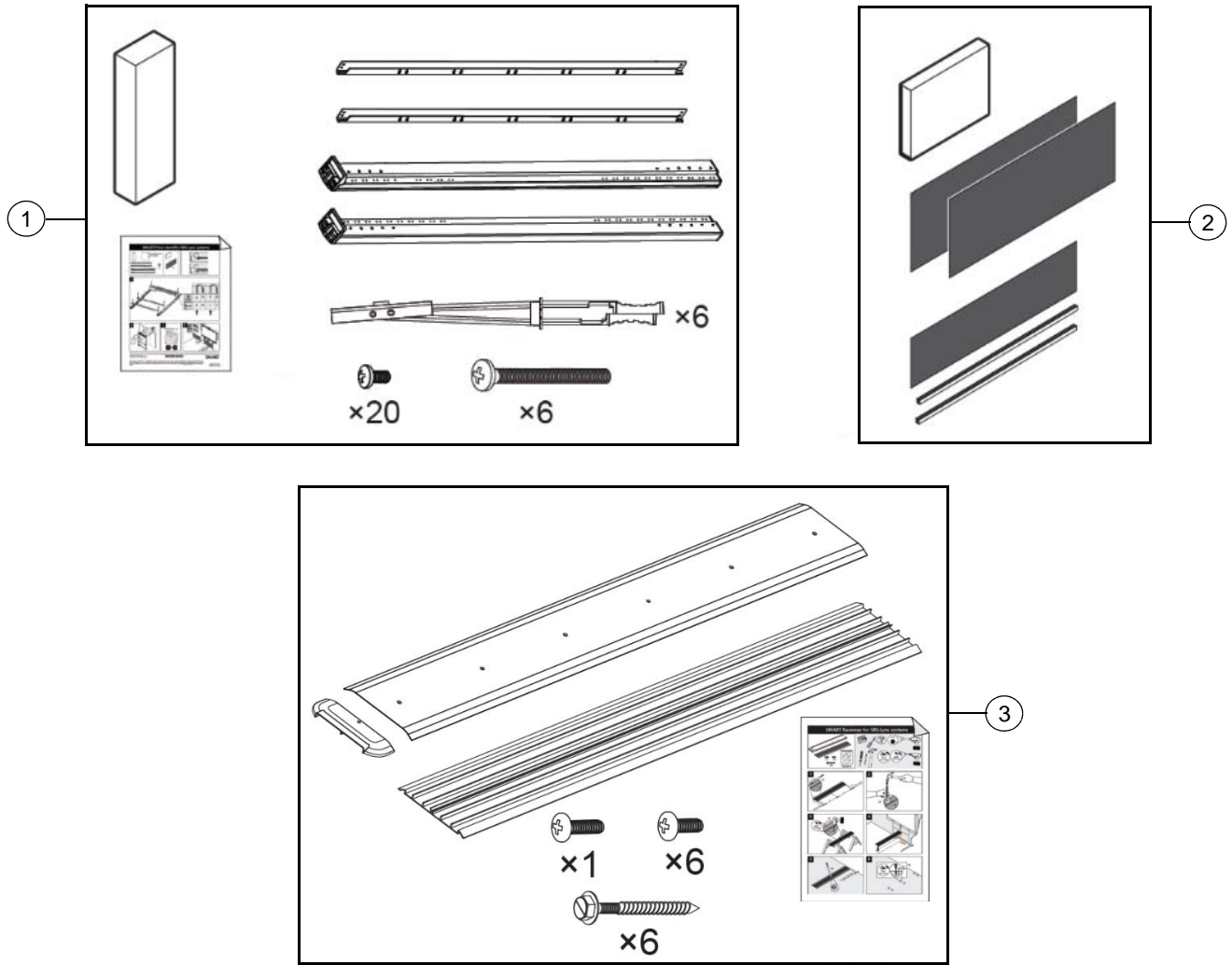
Assembly, Wall Mount, WM-SBID-501 (Part No. 1019207)

NOTE: SRS-Lync-L includes two pieces of 1019207



-  (x6)
-  (x6)
-  (x6)
-  (x6)
-  (x12)
-  (x4)

Optional wallstand kit for large SMART Room System (Part No. WSK-L)



Item	Part No.	Qty	Description
1	1020547	2	Assembly, uprights, wall stand
2	1020546	2	Assembly, panel, wall stand
3	1018900	1	Assembly, cable raceway, RW-500