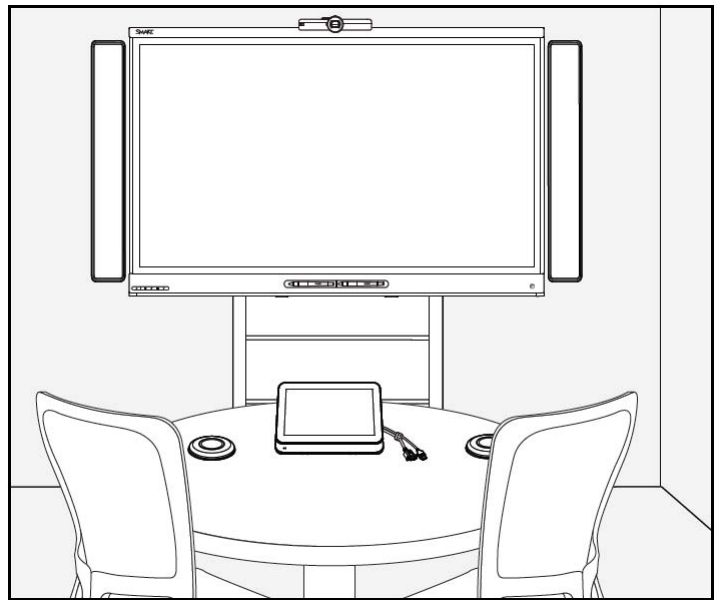


SMART[®]



Service Parts Diagrams

**For Model:
SRS-LYNC-XS
(with SBID8055i-G5 display)**

Service Parts Diagrams Revision History

Revision 1 - March, 2015

- New document

Revision 2 - July, 2015

- Change 1023793 to 1024914
- Change quantity for 1019440 to 1

Standard Warranty Terms

Base product: Two-year limited equipment warranty

First Customer Ship: March, 2015

SMART Technologies

3636 – Research Road NW

Calgary, AB T2L 1Y1

CANADA

Support +1.403.228.5940 or Toll Free 1.866.518.6791 (Canada/U.S.)

Support Fax +1.403.806.1256

www.smarttech.com/contactserviceparts www.smarttech.com

The SMART logo consists of the word "SMART" in a bold, stylized, sans-serif font. The letters are black with a white outline, and a registered trademark symbol (®) is located at the bottom right of the letter "T".

Service Parts Diagrams for the SRS-LYNC-XS

| | |
|--|----|
| Identifying Your Product Using the Serial Number | 1 |
| Ordering Parts | 1 |
| SBID8055i-G5-SMP Parts | 2 |
| Speaker Parts | 3 |
| Camera Parts | 4 |
| Assembly, Cable and Accessories, SRS-Lync-X (Part No. 1019885) | 5 |
| Control Panel Parts | 6 |
| Monaural Audio System Parts | 7 |
| Wall Mount (Part No. WM-SBID-501) | 8 |
| Appliance Module Enclosure Parts | 9 |
| Assembly, Accessory Bracket Kit, SRS-ACC-BK-2 (Part No. 1026454) | 10 |
| Optional Wall Stand Kit for Single Integrated Flat Panel (Part No. WSK-SINGLE) | 11 |

Identifying Your Product Using the Serial Number

Each of the major components of your room system has a serial number:

| Component | Serial number location |
|------------------------|--|
| Interactive flat panel | Right underside of the display NOTES: - When requesting technical support, provide SMART support with the interactive panel's serial number. - You can also access the interactive flat panel's serial number from the on-screen display menu. |
| Lync appliance | Wide side of the Lync appliance |
| Console | Back of the console |
| Camera | Top of the camera beside the service light |
| Table microphones | Bottom of each microphone |
| Audio processor | Narrow side of the audio processor |
| Speakers | Back of each speaker |

Ordering Parts

Customers

To order any of the parts in these service parts diagrams, contact your local reseller.

To find a reseller near you, visit www.smarttech.com/where.

Dealers and Distributors

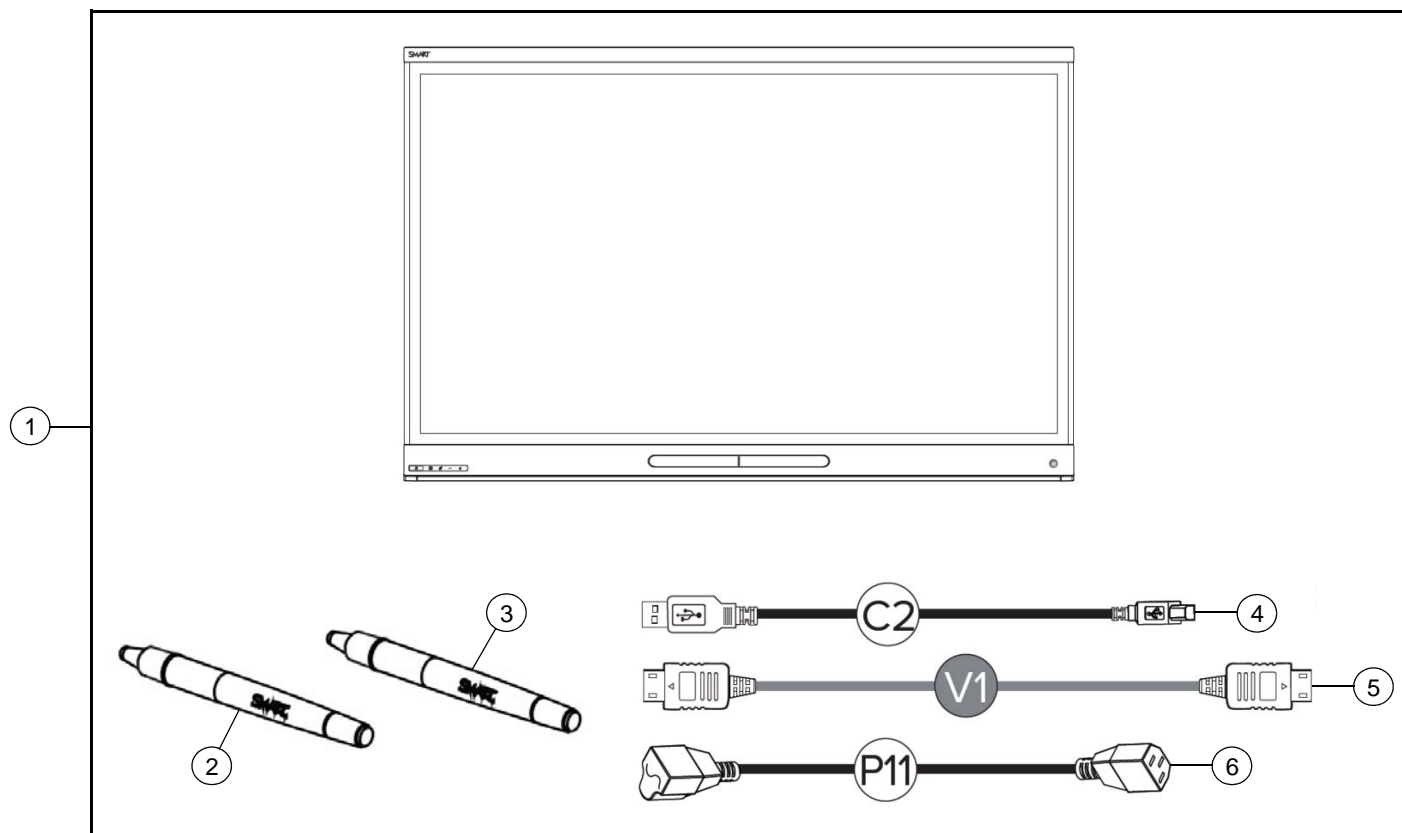
For specific technical and pricing enquiries in regards to these diagrams please contact our service parts department. Pricing is also available on-line via the SOURCE website (source.smarttech.com).

Web Form: www.smarttech.com/contactserviceparts

Phone: 1.888.42.SMART

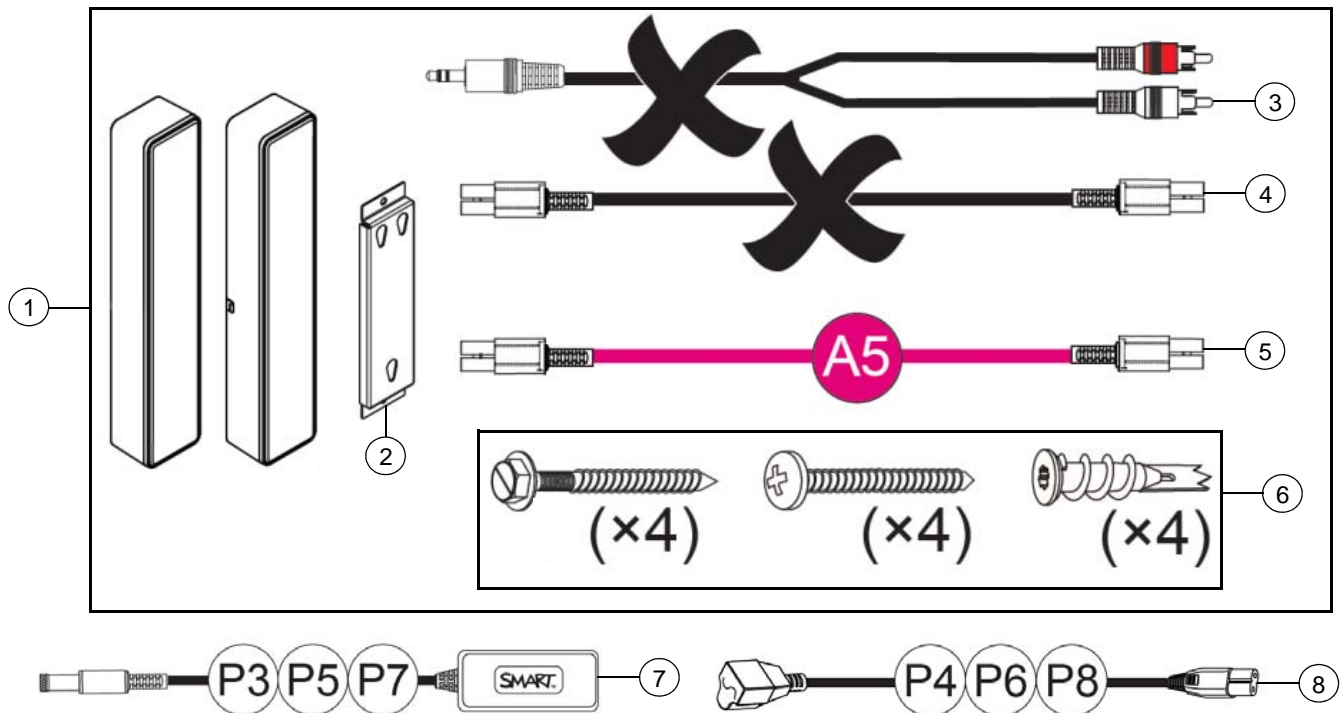
International: +1.403.245.0333

SBID8055i-G5-SMP Parts



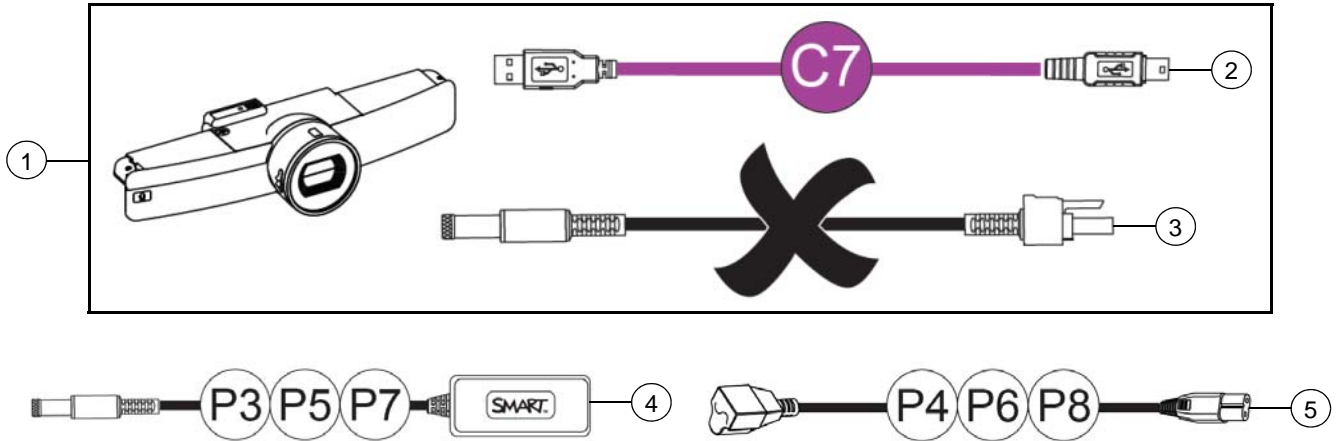
| Item | Part No. | Qty | Description |
|------|------------------|-----|--|
| 1 | SBID8055i-G5-SMP | 1 | SMART Board 55" interactive flat panel NOTE: When replacing the display the dual lock tape kit (part number 1026970 shown on page 10) will also be required. |
| 2 | 1025924 | 1 | Replacement Pen for SPNL-6000 Series and SBID8000-G5 Series - Red |
| 3 | 1025925 | 1 | Replacement Pen for SPNL-6000 Series and SBID8000-G5 Series - Black |
| 4 | 93-00828-20 | 1 | Cable, USB, A-B, 16' (5.0 m) |
| 5 | 1019416 | 1 | Cable, HDMI male to HDMI male, 20' 8" (6.3 m) |
| 6 | 1022063 | 1 | Cable, power, North America, 8' (2.4 m) |
| 6 | 93-055 | 1 | Cable, power, United Kingdom, 8' (2.4 m) |
| 6 | 93-056 | 1 | Cable, power, Australia, 8' (2.4 m) |
| 6 | 93-054 | 1 | Cable, power, Europe, 8' (2.4 m) |
| 6 | 93-00708-20 | 1 | Cable, power, China, 8' (2.4 m) |
| 6 | 93-00654-20 | 1 | Cable, power, Japan, 8' (2.4 m) |

Speaker Parts



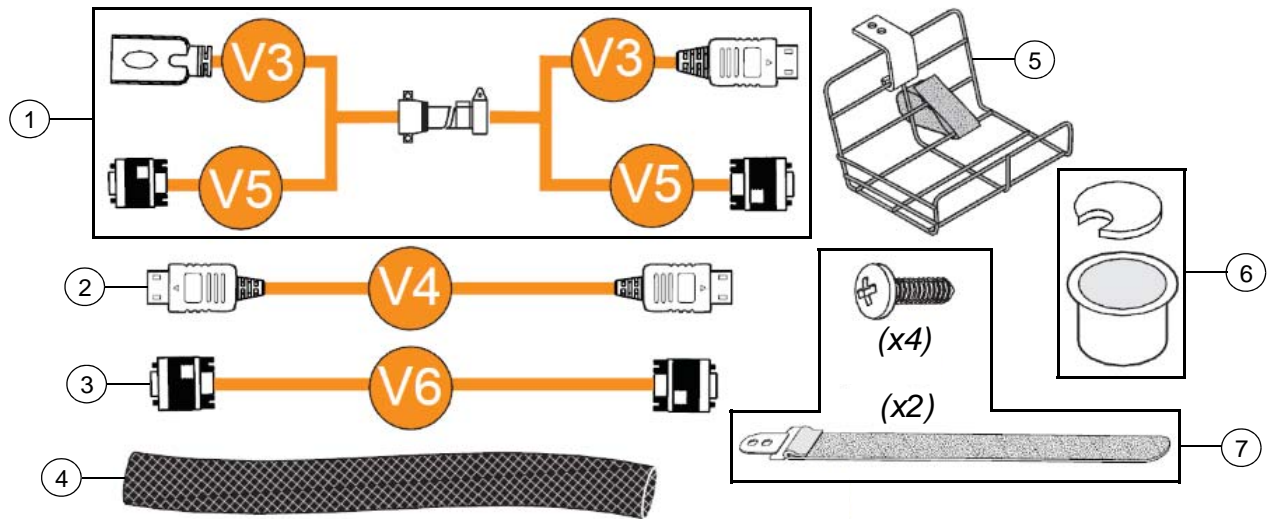
| Item | Part No. | Qty | Description |
|------|-------------|-----|---|
| 1 | 1017846 | 1 | Assembly, speakers, CSR500 |
| 2 | 1021019 | 2 | Assembly, mounting bracket kit, CSR500 |
| 3 | 1019133 | 1 | Cable, audio, 3.5 mm male to dual RCA male, 1' 7" (50 cm) NOTE: Not used in a SRS-Lync-XS installation. |
| 4 | 1019134 | 1 | Cable, power, 1' 7" (50 cm) NOTE: Not used in a SRS-Lync-XS installation. |
| 5 | 1019132 | 1 | Cable, audio, left to right speaker, 16' (5.0 m) |
| 6 | 1021002 | 1 | Assembly, hardware, kit, CSR500 |
| 7 | 1024914 | 1 | Power supply, 19V DC, 3.0A, universal switching |
| 8 | 93-00592-20 | 1 | Cable, power, North America, 6' 6" (2.0 m) |
| 8 | 93-00542-20 | 1 | Cable, power, Europe, 6' 6" (2.0 m) |
| 8 | 93-00543-20 | 1 | Cable, power, United Kingdom, 6' 6" (2.0 m) |
| 8 | 93-00806-20 | 1 | Cable, power, China, 6' 6" (2.0 m) |
| 8 | 93-00576-20 | 1 | Cable, power, Australia, 6' 6" (2.0 m) |
| 8 | 1023214 | 1 | Cable, power, Japan, 6' 6" (2.0 m) |

Camera Parts



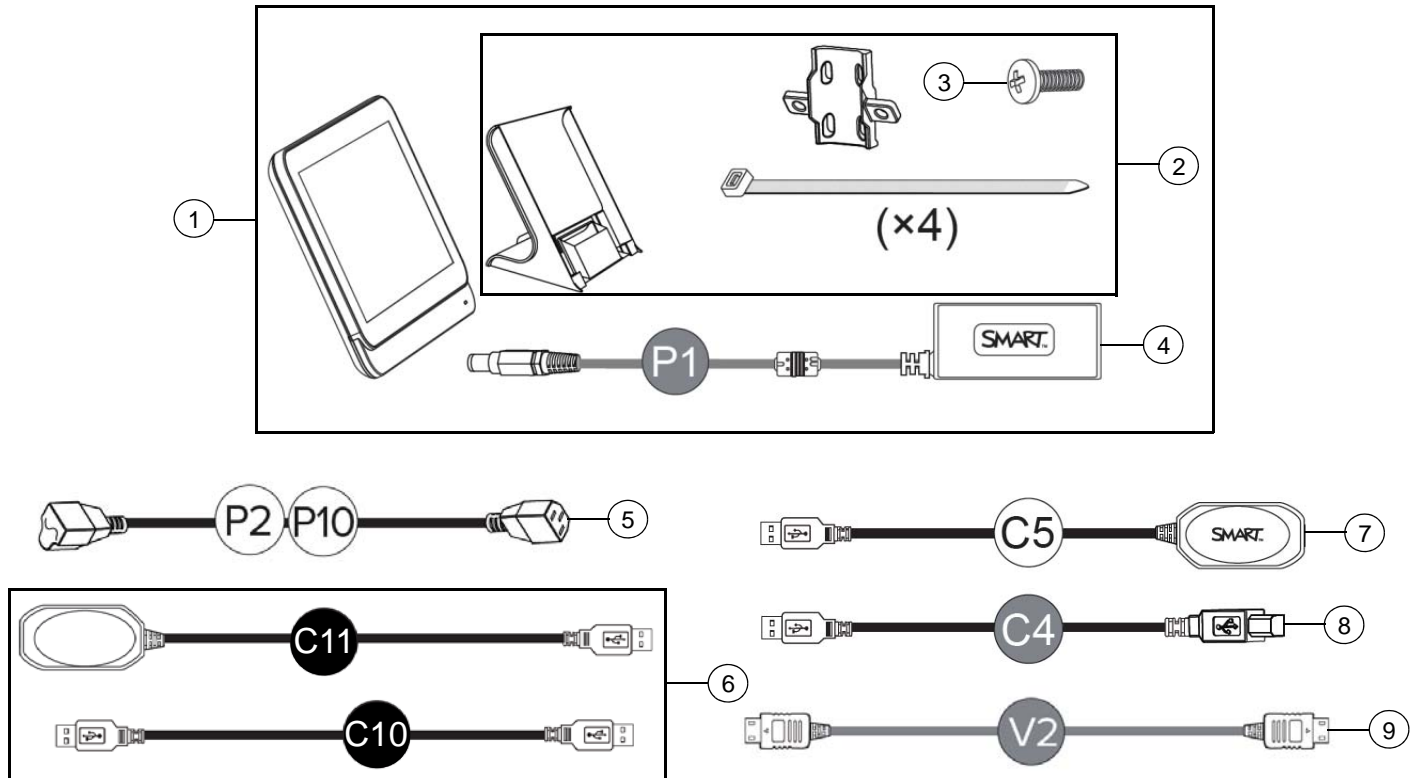
| Item | Part No. | Qty | Description |
|------|-------------|-----|--|
| 1 | 1019674 | 1 | Assembly, camera, CAM301 NOTE: When replacing cameras the dual lock tape kit (part number 1026970 shown on page 10) will also be required. |
| 2 | 1020902 | 1 | Cable, USB A to USB Mini-B, 9' 10" (3.0 m) |
| 3 | 1020900 | 1 | Cable, power, 4' 7" (1.4 m) NOTE: Not used in a SRS-Lync-XS installation. |
| 4 | 1024914 | 1 | Power supply, 19V DC, 3.0A, universal switching |
| 5 | 93-00592-20 | 1 | Cable, power, North America, 6' 6" (2.0 m) |
| 5 | 93-00542-20 | 1 | Cable, power, Europe, 6' 6" (2.0 m) |
| 5 | 93-00543-20 | 1 | Cable, power, United Kingdom, 6' 6" (2.0 m) |
| 5 | 93-00806-20 | 1 | Cable, power, China, 6' 6" (2.0 m) |
| 5 | 93-00576-20 | 1 | Cable, power, Australia, 6' 6" (2.0 m) |
| 5 | 1023214 | 1 | Cable, power, Japan, 6' 6" (2.0 m) |

Assembly, Cable and Accessories, SRS-Lync-X (Part No. 1019885)



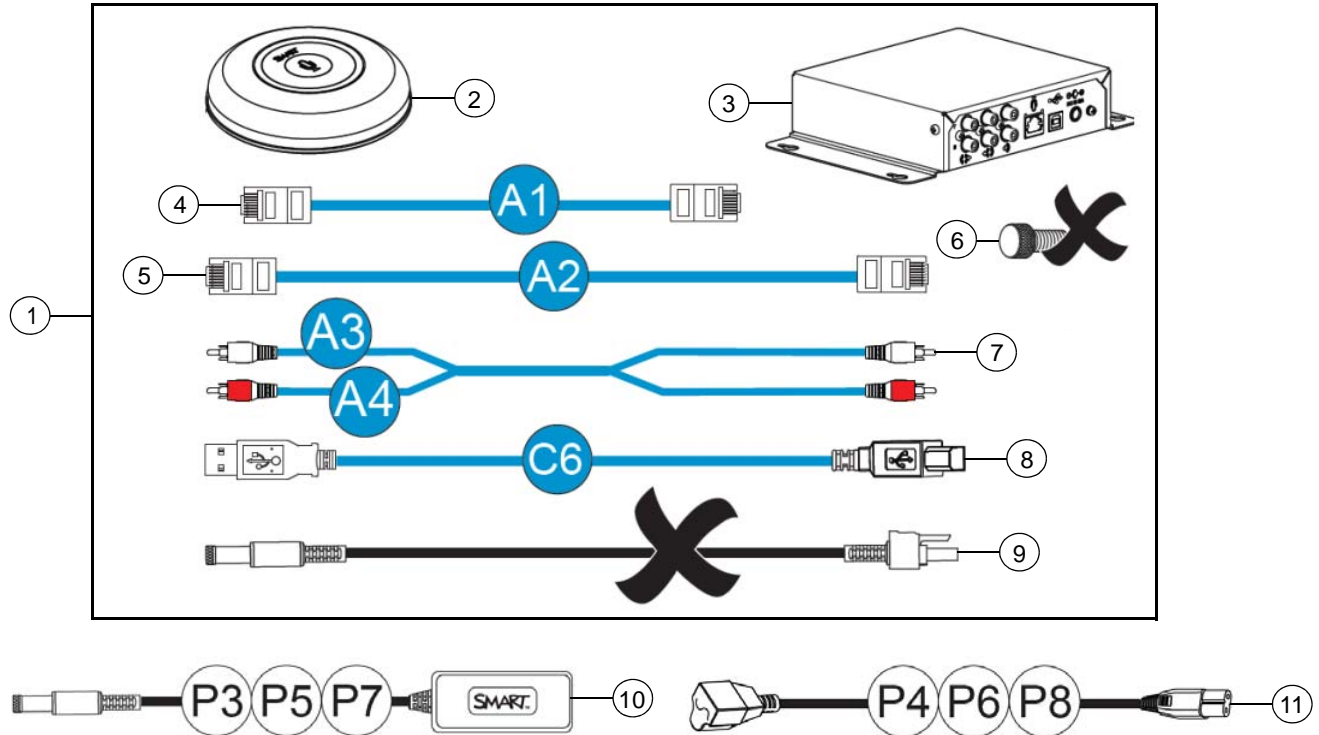
| Item | Part No. | Qty | Description |
|------|----------|-----|---|
| 1 | 1019403 | 1 | Cable, extension, HDMI/HD15 female to HDMI/HD15 male, 9' 10" (3.0 m) |
| 2 | 1019404 | 1 | Cable, HDMI male to HDMI male, 20' 8" (6.3 m) |
| 3 | 1019406 | 1 | Cable, video, HD15 male to HD15 male, 20' 8" (6.3 m) |
| 4 | 1021043 | 1 | Expandable braided sleeve, 1" (2.5 cm) outside diameter, 3' 11" (1.2 m) long, black |
| 5 | 1020505 | 1 | Assembly, tray, cable, wire |
| 6 | 1020504 | 1 | Grommet, table |
| 7 | 1020506 | 1 | Assembly, strap, cable, Velcro, 3/4" (2 cm) × 1' (30.5 cm) |

Control Panel Parts



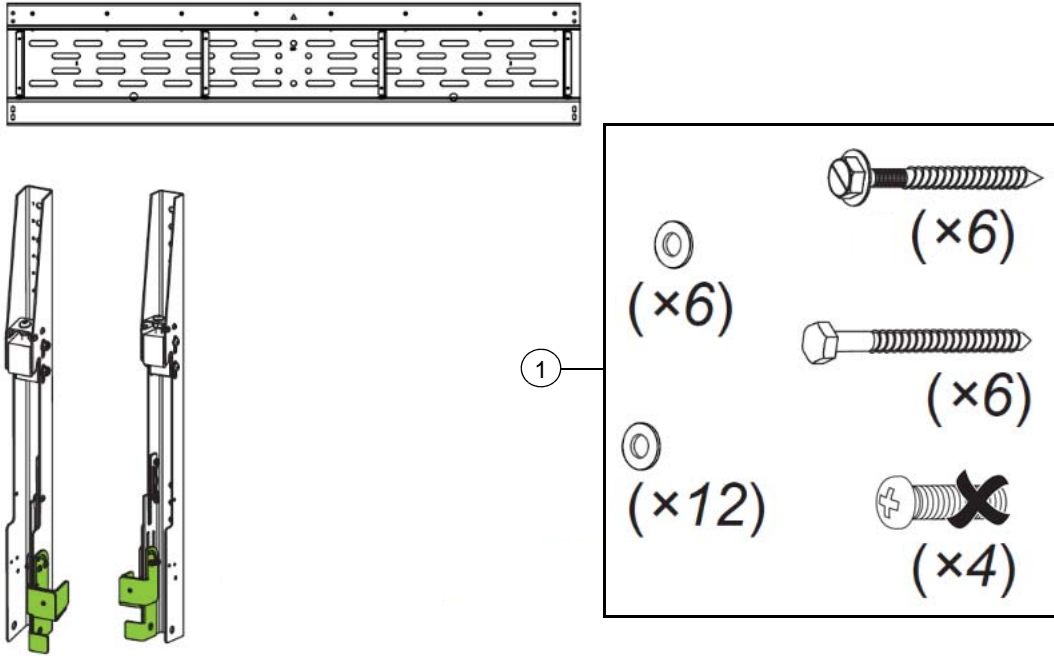
| Item | Part No. | Qty | Description |
|------|-------------|-----|--|
| 1 | 1018288 | 1 | Assembly, control panel, CP311 |
| 2 | 1021194 | 1 | Assembly, FRU, stand, CP311 NOTE: Includes 4 pieces of item 3. |
| 3 | 1020230 | 4 | Screw, M4 x 8 mm, Phillips, pan head |
| 4 | 1019669 | 1 | Power supply, 12V DC, 3.33A, universal switching |
| 5 | 1022063 | 1 | Cable, power, North America, 8' (2.4 m) |
| 5 | 93-055 | 1 | Cable, power, United Kingdom, 8' (2.4 m) |
| 5 | 93-056 | 1 | Cable, power, Australia, 8' (2.4 m) |
| 5 | 93-054 | 1 | Cable, power, Europe, 8' (2.4 m) |
| 5 | 93-00708-20 | 1 | Cable, power, China, 8' (2.4 m) |
| 5 | 93-00654-20 | 1 | Cable, power, Japan, 8' (2.4 m) |
| 6 | 1024293 | 1 | Assembly, SRS-USB-BRIDGE, Interactive Sharing Cable Only |
| 7 | USB-XT | 1 | USB active extension cable 16' (5.0 m) |
| 8 | 1019521 | 1 | Cable, USB, A-B, 4' 3" (1.3 m) |
| 9 | 1019416 | 1 | Cable, HDMI male to HDMI male, 20' 8" (6.3 m) |

Monaural Audio System Parts



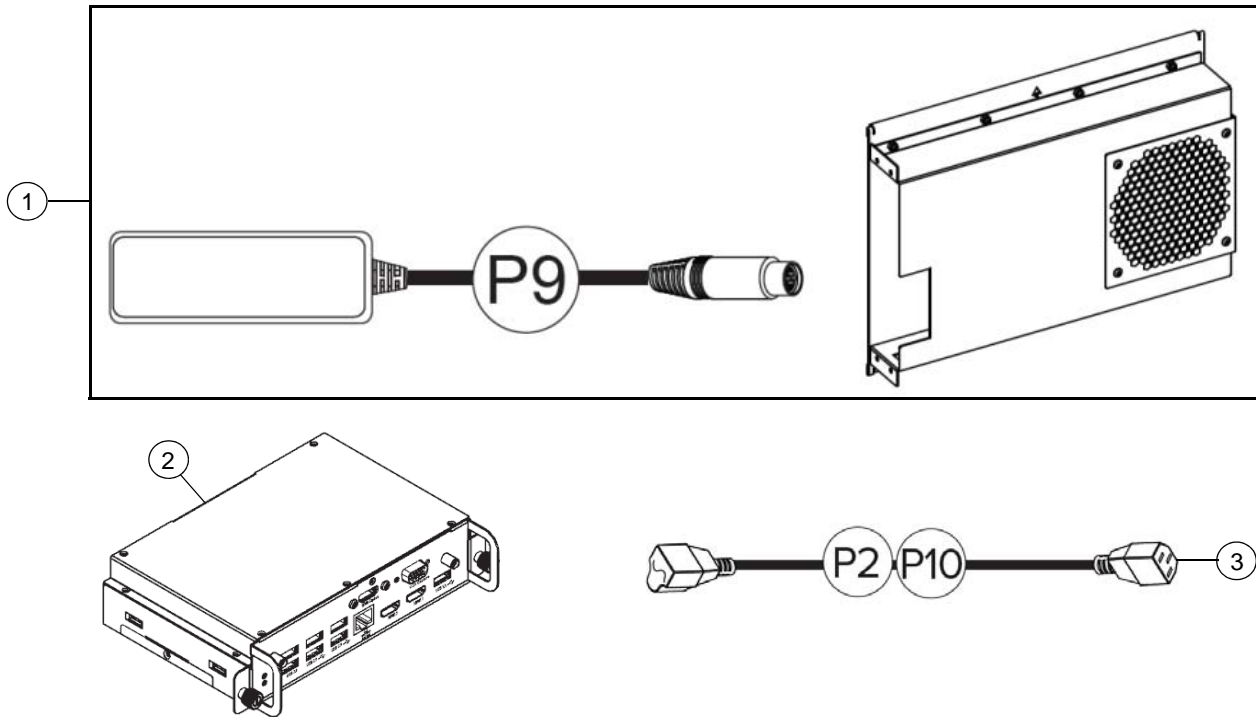
| Item | Part No. | Qty | Description |
|------|-------------|-----|---|
| 1 | 1018285 | 1 | Assembly, monaural audio system |
| 2 | MIC500 | 2 | Microphone for SMART Room System NOTE: Includes item 4. |
| 3 | 1018756 | 1 | Assembly, FRU, Processor, Monaural Audio, MIX500 |
| 4 | 1019752 | 1 | Cable, RJ45 to RJ45, 13' 1" (4.0 m) |
| 5 | 1019739 | 1 | Cable, RJ45 to RJ45, 29' 6" (9.0 m) |
| 6 | 1019440 | 1 | Screw, thumb, M4 x 5 mm, Phillips (set of four) NOTE: Not used in a SRS-Lync-XS installation. |
| 7 | 1020352 | 1 | Cable, audio, dual RCA to dual RCA, 6' (1.8 m) |
| 8 | 1020351 | 1 | Cable, USB, A-B, 6' (1.8 m) |
| 9 | 1020353 | 1 | Cable, power, 1' 7" (50 cm) NOTE: Not used in a SRS-Lync-XS installation. |
| 10 | 1024914 | 1 | Power supply, 19V DC, 3.0A, universal switching |
| 11 | 93-00592-20 | 1 | Cable, power, North America, 6' 6" (2.0 m) |
| 11 | 93-00542-20 | 1 | Cable, power, Europe, 6' 6" (2.0 m) |
| 11 | 93-00543-20 | 1 | Cable, power, United Kingdom, 6' 6" (2.0 m) |
| 11 | 93-00806-20 | 1 | Cable, power, China, 6' 6" (2.0 m) |
| 11 | 93-00576-20 | 1 | Cable, power, Australia, 6' 6" (2.0 m) |
| 11 | 1023214 | 1 | Cable, power, Japan, 6' 6" (2.0 m) |

Wall Mount (Part No. WM-SBID-501)



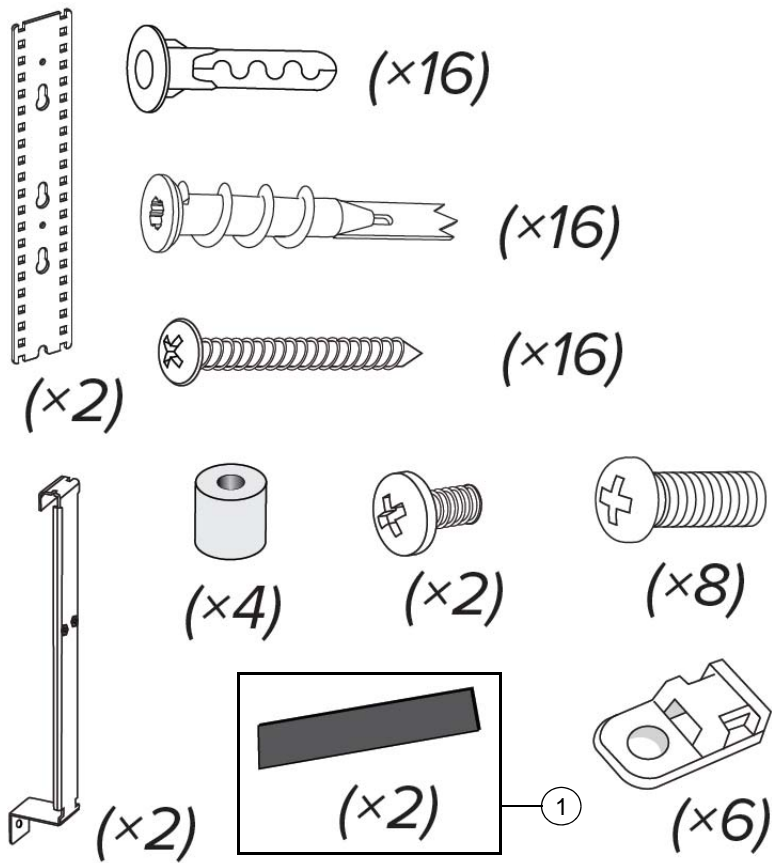
| Item | Part No. | Qty | Description |
|------|----------|-----|--|
| 1 | 1022216 | 1 | Assembly, hardware, kit, WM-SBID-501/502 NOTE: The four bolts included with this kit are not to be used for mounting the SBID8055i-G5 display. The shorter bolts included with the SRS-ACC-BK-2 bracket kit (part number 1026454 shown on page 10) should be used instead. |

Appliance Module Enclosure Parts



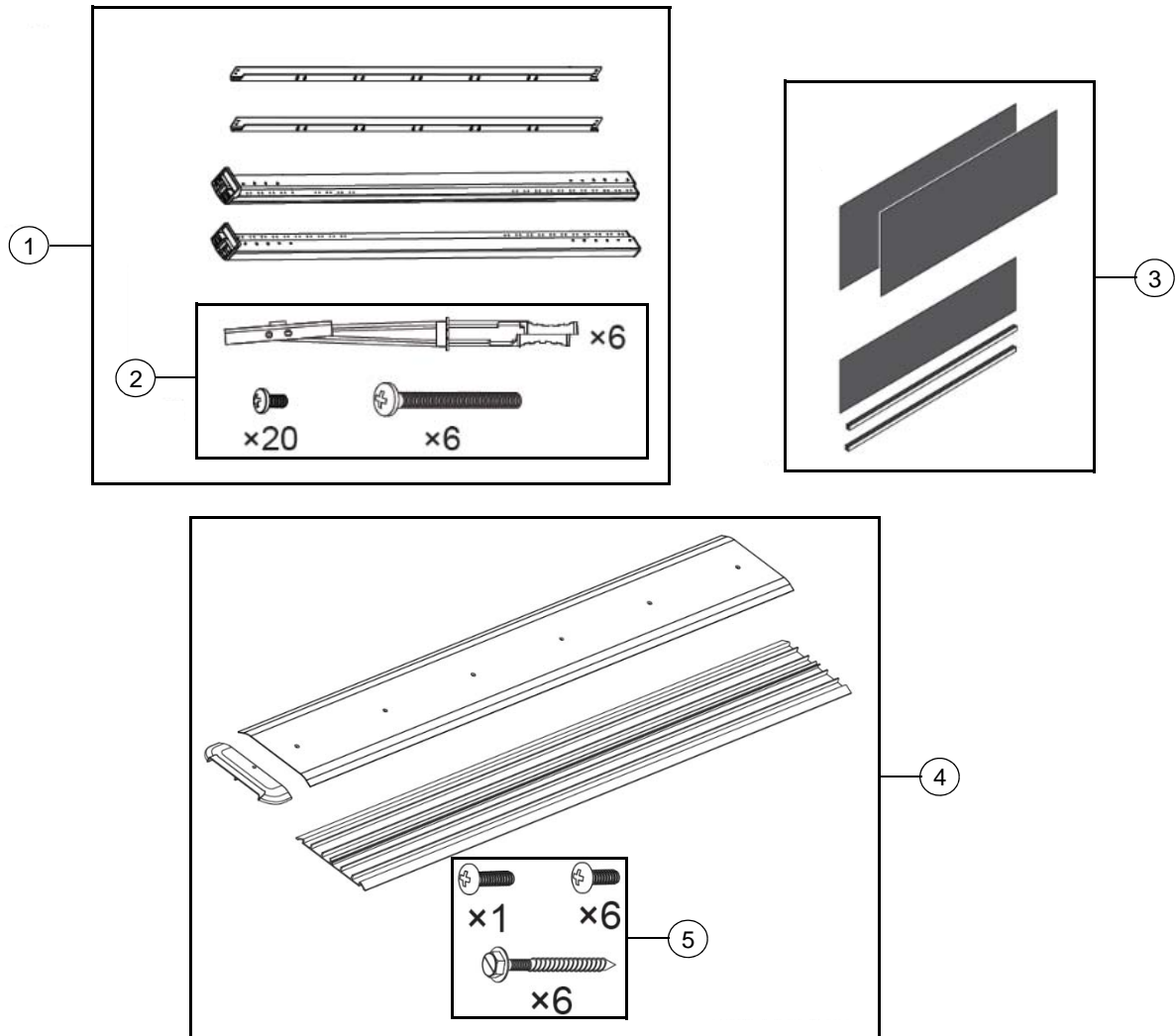
| Item | Part No. | Qty | Description |
|------|-------------|-----|--|
| 1 | 1022896 | 1 | Assembly, appliance module enclosure, AM-ENC-L |
| 2 | FRU-AM70-L | 1 | FRU, Computer, AM70-L |
| 3 | 1022063 | 1 | Cable, power, North America, 8' (2.4 m) |
| 3 | 93-055 | 1 | Cable, power, United Kingdom, 8' (2.4 m) |
| 3 | 93-056 | 1 | Cable, power, Australia, 8' (2.4 m) |
| 3 | 93-054 | 1 | Cable, power, Europe, 8' (2.4 m) |
| 3 | 93-00708-20 | 1 | Cable, power, China, 8' (2.4 m) |
| 3 | 93-00654-20 | 1 | Cable, power, Japan, 8' (2.4 m) |

Assembly, Accessory Bracket Kit, SRS-ACC-BK-2 (Part No. 1026454)



| Item | Part No. | Qty | Description |
|------|----------|-----|--|
| 1 | 1026970 | 1 | Kit, Tape Dual Lock, Reclosable Fastener |

Optional Wall Stand Kit for Single Integrated Flat Panel (Part No. WSK-SINGLE)



| Item | Part No. | Qty | Description |
|------|----------|-----|--|
| 1 | 1020547 | 1 | Assembly, uprights, wall stand NOTE: Includes item 2. |
| 2 | 1021347 | 1 | Assembly, hardware, kit, WS-SBID-500 |
| 3 | 1020546 | 2 | Assembly, panel, wall stand |
| 4 | 1018900 | 1 | Assembly, cable raceway, RW-500 NOTE: Includes item 5. |
| 5 | 1021406 | 1 | Assembly, hardware, kit, RW-500 |