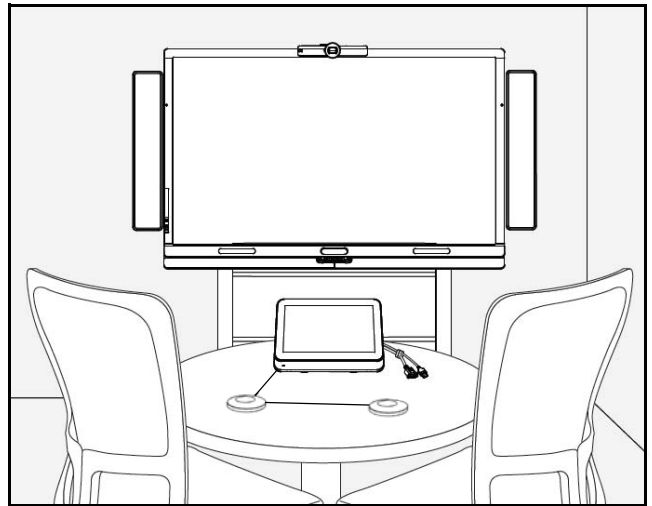


SMART[®]



Service Parts Diagrams

**For Model:
SRS-Lync-XS**

Service Parts Diagrams Revision History

Revision 1 - January, 2014

- New document

Standard Warranty Terms

Base product: Two-year limited equipment warranty

First Customer Ship: February, 2014

SMART Technologies

3636 – Research Road NW

Calgary, AB T2L 1Y1

CANADA

Support +1.403.228.5940 or Toll Free 1.866.518.6791 (Canada/U.S.)

Support Fax +1.403.806.1256

www.smarttech.com/contactserviceparts www.smarttech.com

The SMART logo consists of the word "SMART" in a bold, stylized, sans-serif font. The letters are black with a white outline, and a registered trademark symbol (®) is located at the bottom right of the letter "T".

Service Parts Diagrams for the SRS-Lync-XS

Identifying Your Product Using the Serial Number	1
Ordering Parts	1
SBID8055i Parts	2
Speaker Parts	3
Camera Parts	4
Assembly, Cable and Accessories, SRS-Lync-X (Part No. 1019885)	5
Control Panel Parts	6
Monaural Audio System Parts	7
Wall Mount, SBID8055i (Part No. WM-SBID-501)	8
Appliance Module Enclosure Parts	9
Assembly, Accessory Bracket Kit, SRS-ACC-BK (Part No. 1022895)	10
Optional Wall Stand Kit for Single Integrated Flat Panel (Part No. WSK-SINGLE)	11

Identifying Your Product Using the Serial Number

Each of the major components of your room system has a serial number:

Component	Serial number location
Interactive flat panel	Left underside of the pen ledge NOTES: - When requesting technical support, provide SMART support with the interactive panel's serial number. - You can also access the interactive flat panel's serial number from the on-screen display menu.
Lync appliance	Wide side of the Lync appliance
Console	Back of the console
Camera	Top of the camera beside the service light
Table microphones	Bottom of each microphone
Audio processor	Narrow side of the audio processor
Speakers	Back of each speaker

Ordering Parts

Customers

To order any of the parts in these service parts diagrams, contact your local reseller.

To find a reseller near you, visit www.smarttech.com/where.

Dealers and Distributors

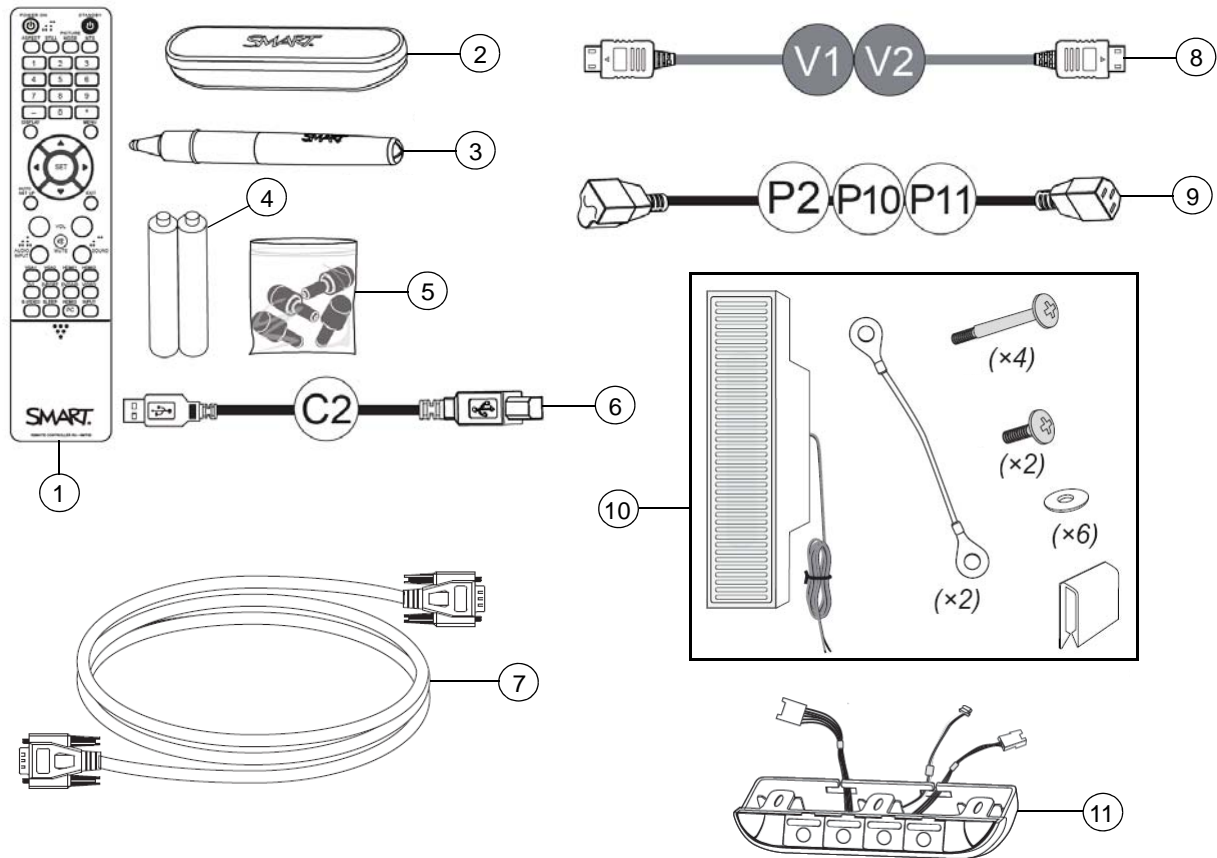
For specific technical and pricing enquiries in regards to these diagrams please contact our service parts department. Pricing is also available on-line via the SOURCE website (source.smarttech.com).

Web Form: www.smarttech.com/contactserviceparts

Phone: 1.888.42.SMART

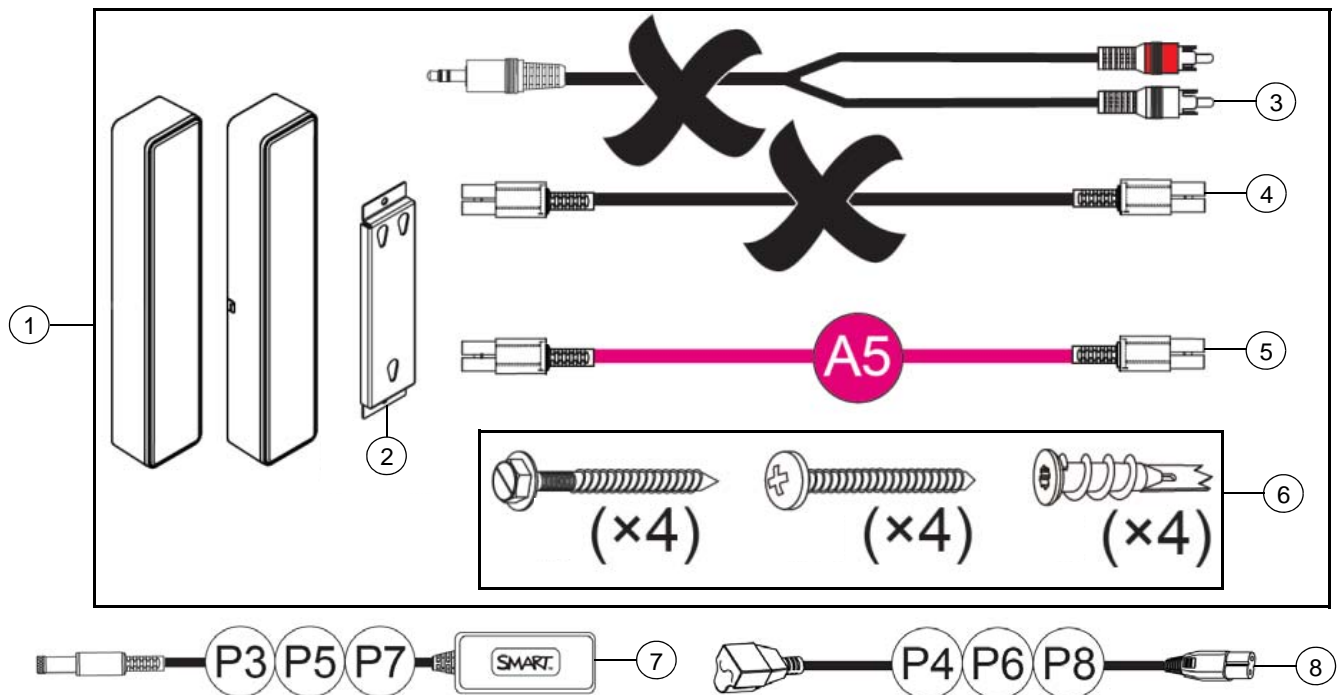
International: +1.403.245.0333

SBID8055i Parts



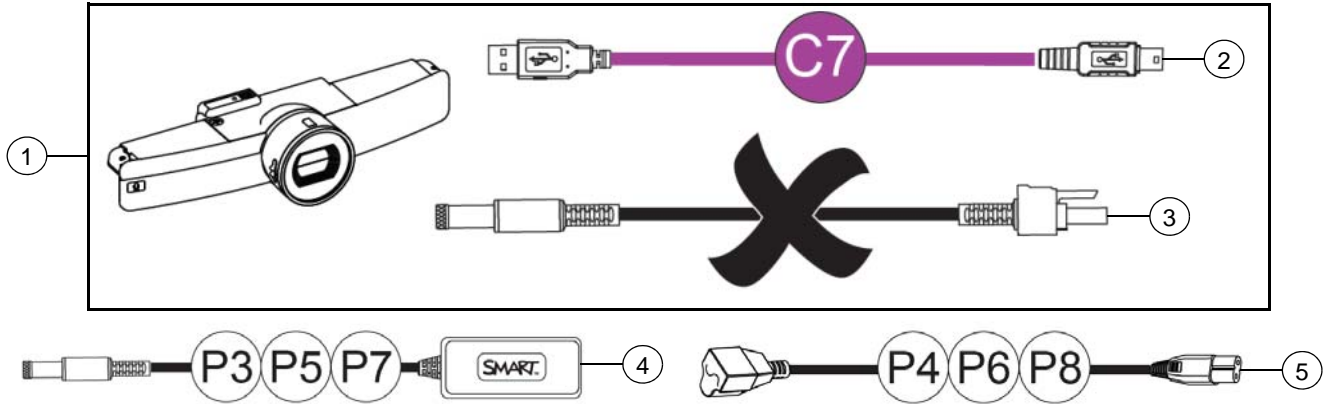
Item	Part No.	Qty	Description
1	1013799	1	Remove control
2	RERASER-SBID	1	Assembly, eraser
3	RPEN-SBID	2	Assembly, stylus NOTE: Includes set of four spare pen nibs (item 5).
4	01-00257	2	Battery, AAA
5	FRU-NIB-SBID	1	Replacement Nibs for the SMART Board Interactive Display Pen - Set of Four
6	93-00828-20	1	Cable, USB, A-B, 16' (5.0 m)
7	93-00844-20	1	Cable, video, HD15 male to HD15 male, 13' 2" (4.0 m) NOTE: Not used in a SRS-Lync-XS installation.
8	1019416	1	Cable, HDMI male to HDMI male, 20' 8" (6.3 m)
9	1022063	1	Cable, power, North America, 8' (2.4 m)
9	93-055	1	Cable, power, United Kingdom, 8' (2.4 m)
9	93-056	1	Cable, power, Australia, 8' (2.4 m)
9	93-054	1	Cable, power, Europe, 8' (2.4 m)
9	93-00708-20	1	Cable, power, China, 8' (2.4 m)
9	93-00654-20	1	Cable, power, Japan, 8' (2.4 m)
10	03-00210-20	2	Speaker kit NOTE: These speakers are not used in a SRS-Lync-XS installation but some of the mounting hardware included with them is required.
11	1013794	1	Module, color select NOTE: Comes attached to the SBID8055i.

Speaker Parts



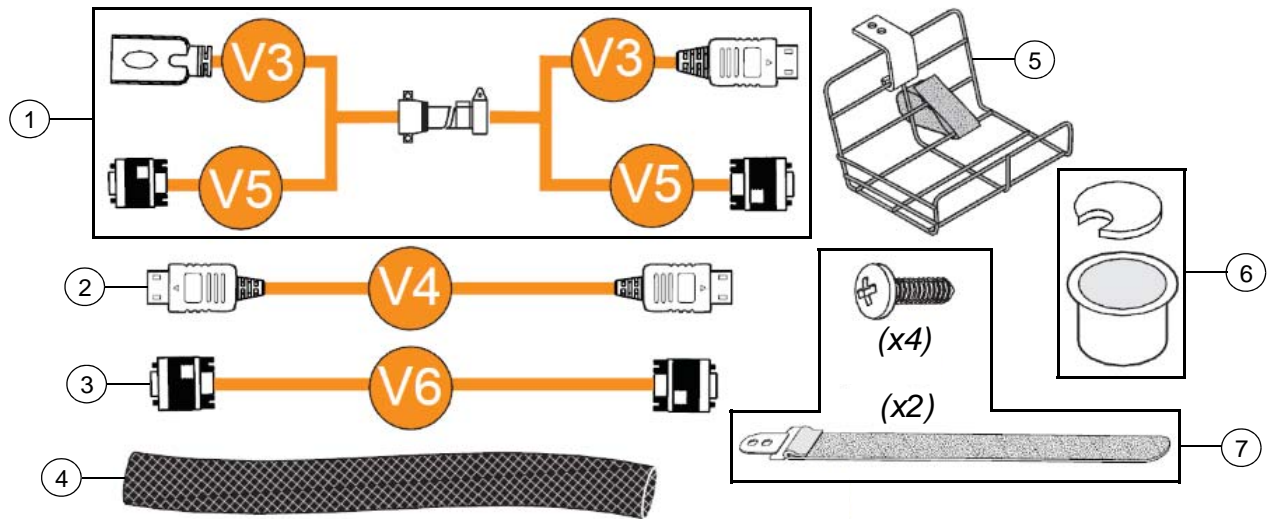
Item	Part No.	Qty	Description
1	1017846	1	Assembly, speakers, CSR500
2	1021019	2	Assembly, mounting bracket kit, CSR500
3	1019133	1	Cable, audio, 3.5 mm male to dual RCA male, 1' 7" (50 cm) NOTE: Not used in a SRS-Lync-XS installation.
4	1019134	1	Cable, power, 1' 7" (50 cm) NOTE: Not used in a SRS-Lync-XS installation.
5	1019132	1	Cable, audio, left to right speaker, 16' (5.0 m)
6	1021002	1	Assembly, hardware, kit, CSR500
7	1023367	1	Power supply, 19V DC, 3.0A, universal switching
8	93-00592-20	1	Cable, power, North America, 6' 6" (2.0 m)
8	93-00542-20	1	Cable, power, Europe, 6' 6" (2.0 m)
8	93-00543-20	1	Cable, power, United Kingdom, 6' 6" (2.0 m)
8	93-00806-20	1	Cable, power, China, 6' 6" (2.0 m)
8	93-00576-20	1	Cable, power, United Kingdom, 6' 6" (2.0 m)
8	1023214	1	Cable, power, Japan, 6' 6" (2.0 m)

Camera Parts



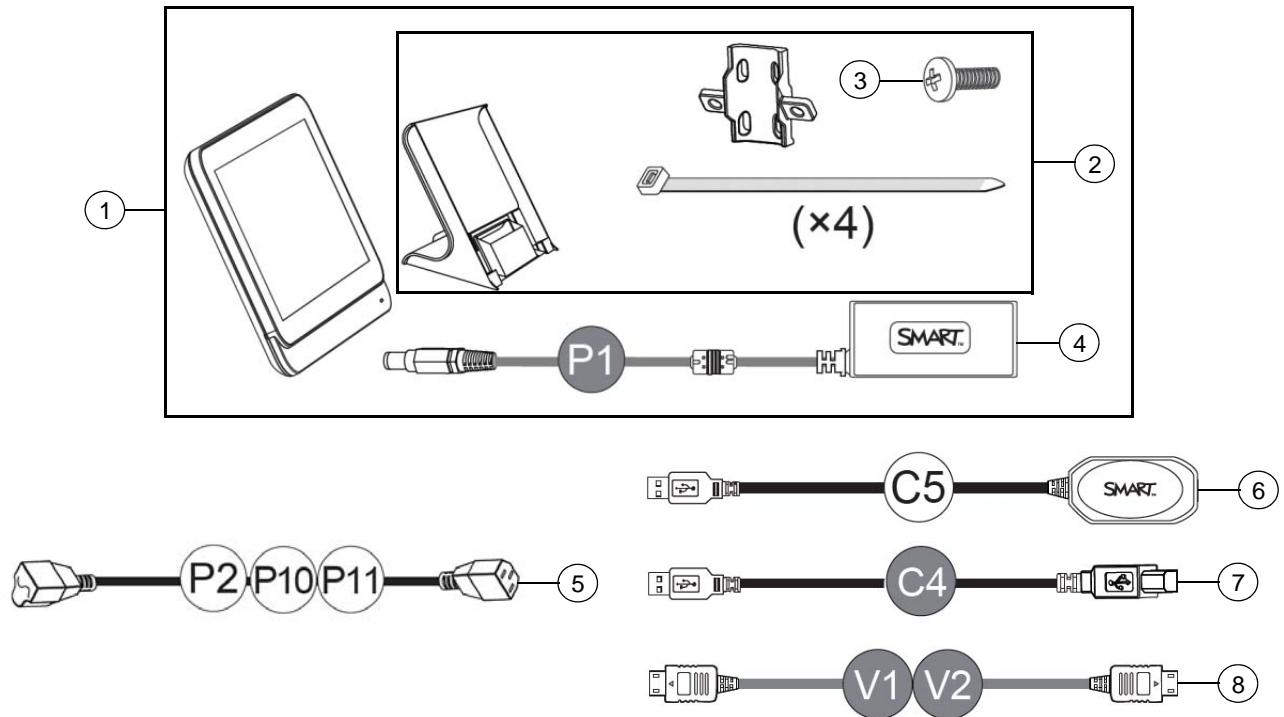
Item	Part No.	Qty	Description
1	1019674	1	Assembly, camera, CAM301
2	1020902	1	Cable, USB A to USB Mini-B, 9' 10" (3.0 m)
3	1020900	1	Cable, power, 4' 7" (1.4 m) NOTE: Not used in a SRS-Lync-XS installation.
4	1023367	1	Power supply, 19V DC, 3.0A, universal switching
5	93-00592-20	1	Cable, power, North America, 6' 6" (2.0 m)
5	93-00542-20	1	Cable, power, Europe, 6' 6" (2.0 m)
5	93-00543-20	1	Cable, power, United Kingdom, 6' 6" (2.0 m)
5	93-00806-20	1	Cable, power, China, 6' 6" (2.0 m)
5	93-00576-20	1	Cable, power, United Kingdom, 6' 6" (2.0 m)
5	1023214	1	Cable, power, Japan, 6' 6" (2.0 m)

Assembly, Cable and Accessories, SRS-Lync-X (Part No. 1019885)



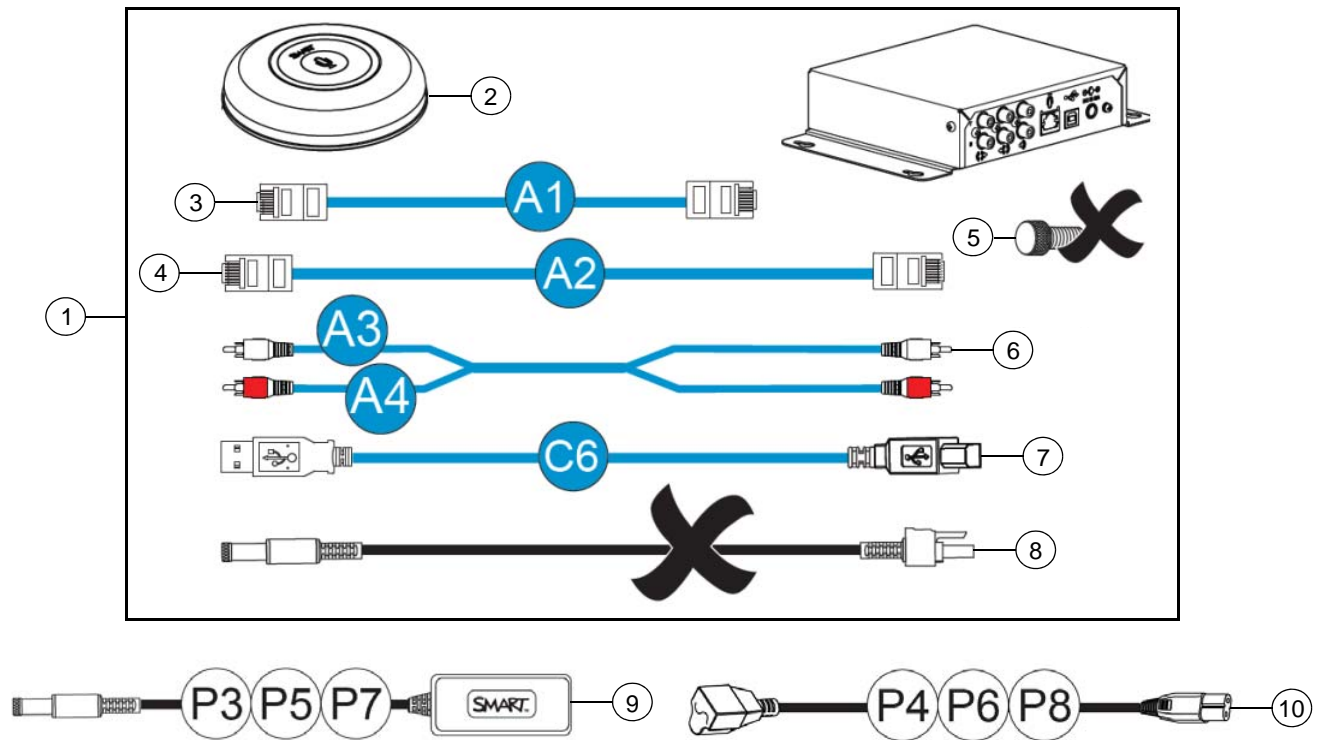
Item	Part No.	Qty	Description
1	1019403	1	Cable, extension, HDMI/HD15 female to HDMI/HD15 male, 9' 10" (3.0 m)
2	1019404	1	Cable, HDMI male to HDMI male, 20' 8" (6.3 m)
3	1019406	1	Cable, video, HD15 male to HD15 male, 20' 8" (6.3 m)
4	1021043	1	Expandable braided sleeve, 1" (2.5 cm) outside diameter, 3' 11" (1.2 m) long, black
5	1020505	1	Assembly, tray, cable, wire
6	1020504	1	Grommet, table
7	1020506	1	Assembly, strap, cable, Velcro, 3/4" (2 cm) × 1' (30.5 cm)

Control Panel Parts



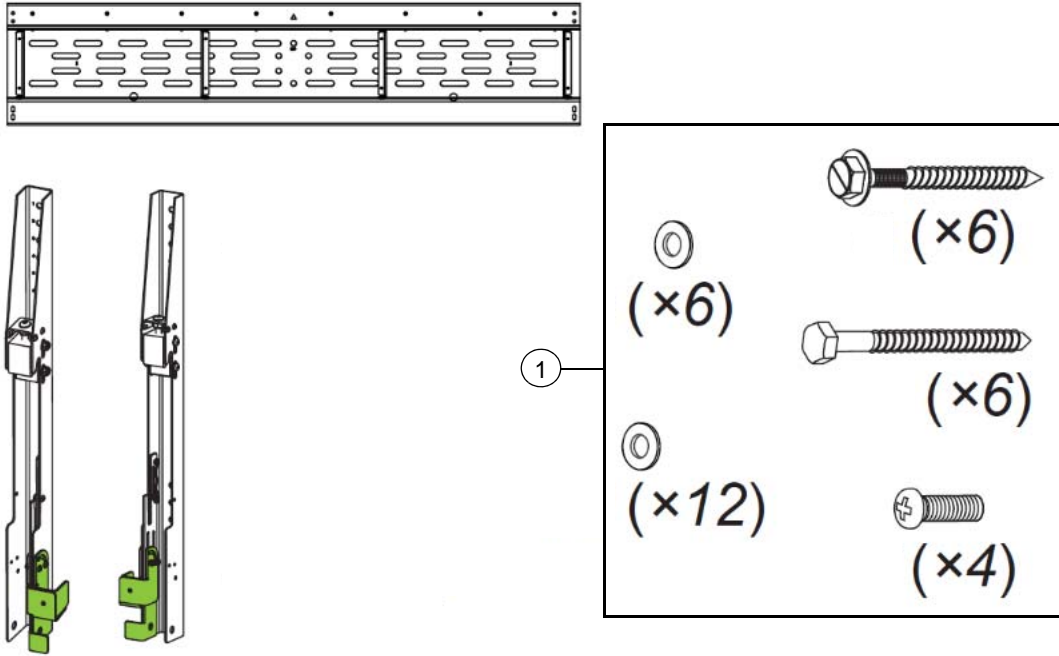
Item	Part No.	Qty	Description
1	1018288	1	Assembly, control panel, CP311
2	1021194	1	Assembly, FRU, stand, CP311 NOTE: Includes 4 pieces of item 3.
3	1020230	4	Screw, M4 x 8 mm, Phillips, pan head
4	1019669	1	Power supply, 12V DC, 3.33A, universal switching
5	1022063	1	Cable, power, North America, 8' (2.4 m)
5	93-055	1	Cable, power, United Kingdom, 8' (2.4 m)
5	93-056	1	Cable, power, Australia, 8' (2.4 m)
5	93-054	1	Cable, power, Europe, 8' (2.4 m)
5	93-00708-20	1	Cable, power, China, 8' (2.4 m)
5	93-00654-20	1	Cable, power, Japan, 8' (2.4 m)
6	USB-XT	1	USB active extension cable 16' (5.0 m)
7	1019521	1	Cable, USB, A-B, 4' 3" (1.3 m)
8	1019416	1	Cable, HDMI male to HDMI male, 20' 8" (6.3 m)

Monaural Audio System Parts



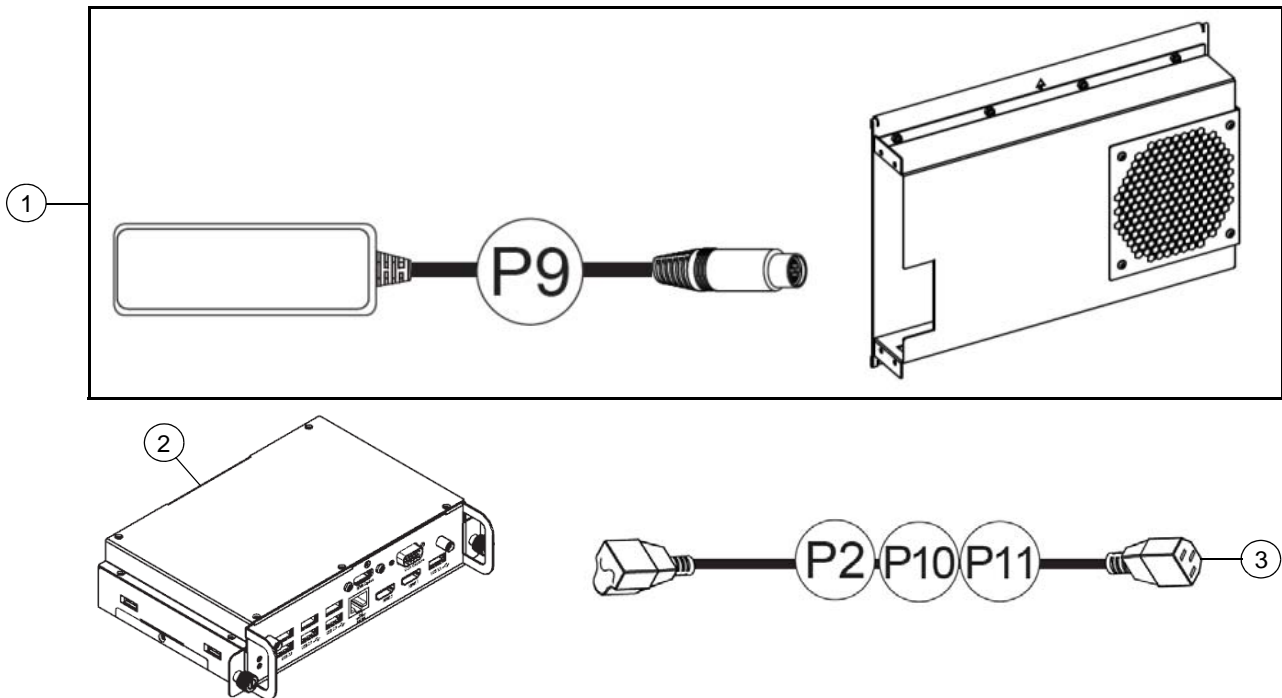
Item	Part No.	Qty	Description
1	1018285	1	Assembly, monaural audio system
2	MIC500	2	Microphone for SMART Room System NOTE: Includes item 3.
3	1019752	1	Cable, RJ45 to RJ45, 13' 1" (4.0 m)
4	1019739	1	Cable, RJ45 to RJ45, 29' 6" (9.0 m)
5	1019440	4	Screw, thumb, M4 x 5 mm, Phillips NOTE: Not used in a SRS-Lync-XS installation.
6	1020352	1	Cable, audio, dual RCA to dual RCA, 6' (1.8 m)
7	1020351	1	Cable, USB, A-B, 6' (1.8 m)
8	1020353	1	Cable, power, 1' 7" (50 cm) NOTE: Not used in a SRS-Lync-XS installation.
9	1023367	1	Power supply, 19V DC, 3.0A, universal switching
10	93-00592-20	1	Cable, power, North America, 6' 6" (2.0 m)
10	93-00542-20	1	Cable, power, Europe, 6' 6" (2.0 m)
10	93-00543-20	1	Cable, power, United Kingdom, 6' 6" (2.0 m)
10	93-00806-20	1	Cable, power, China, 6' 6" (2.0 m)
10	93-00576-20	1	Cable, power, United Kingdom, 6' 6" (2.0 m)
10	1023214	1	Cable, power, Japan, 6' 6" (2.0 m)

Wall Mount, SBID8055i (Part No. WM-SBID-501)



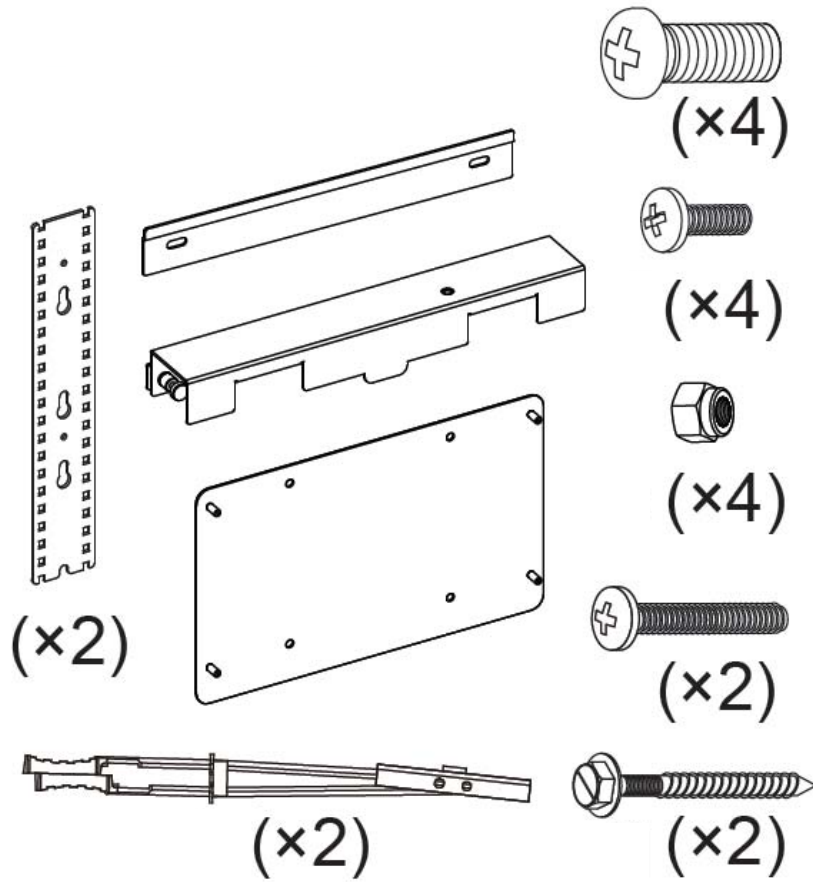
Item	Part No.	Qty	Description
1	1022216	1	Assembly, hardware, kit, WM-SBID-501/502

Appliance Module Enclosure Parts

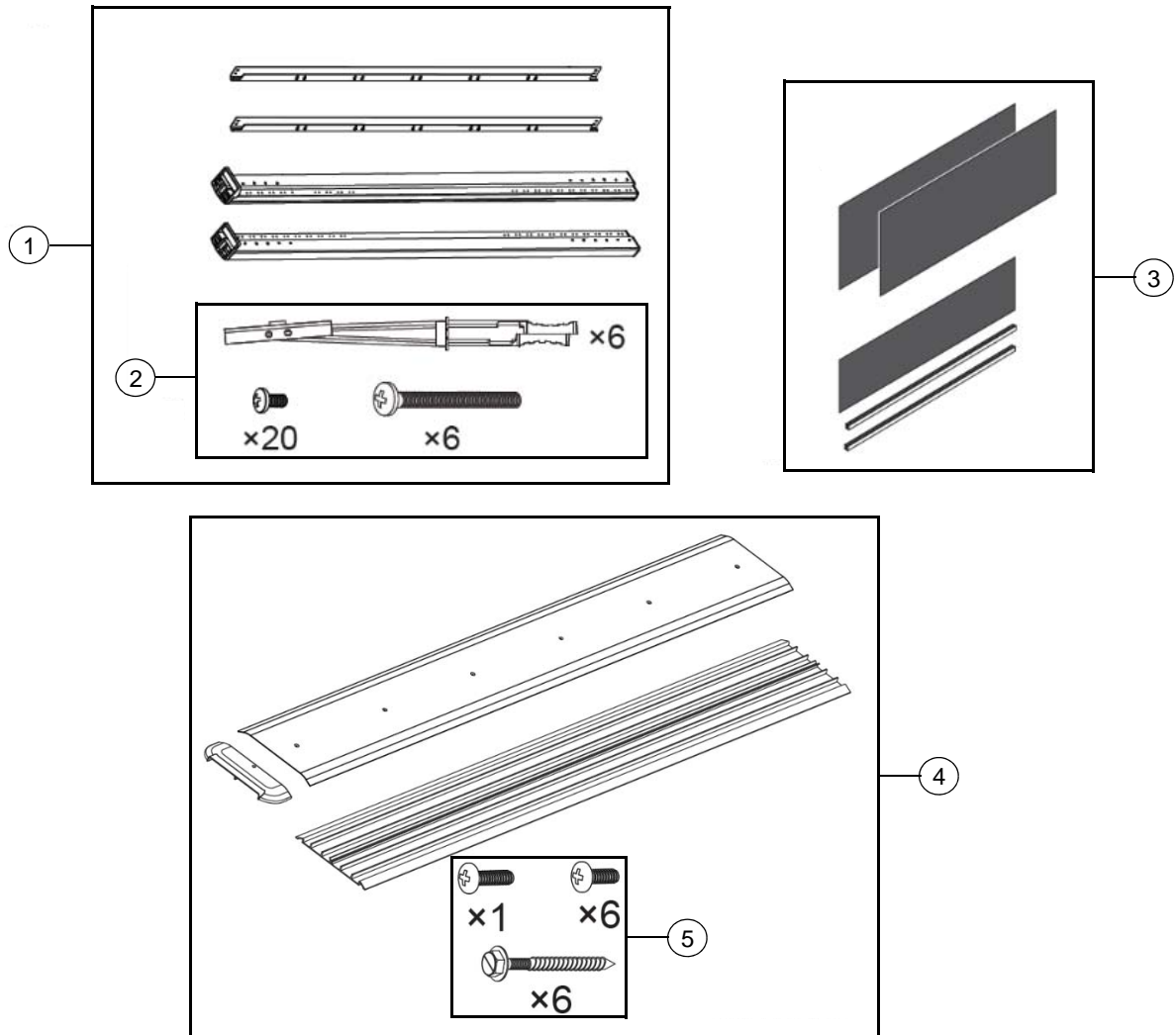


Item	Part No.	Qty	Description
1	1022896	1	Assembly, appliance module enclosure, AM-ENC-L
2	FRU-AM70-L	1	FRU, Computer, AM70-L
3	1022063	1	Cable, power, North America, 8' (2.4 m)
3	93-055	1	Cable, power, United Kingdom, 8' (2.4 m)
3	93-056	1	Cable, power, Australia, 8' (2.4 m)
3	93-054	1	Cable, power, Europe, 8' (2.4 m)
3	93-00708-20	1	Cable, power, China, 8' (2.4 m)
3	93-00654-20	1	Cable, power, Japan, 8' (2.4 m)

Assembly, Accessory Bracket Kit, SRS-ACC-BK (Part No. 1022895)



Optional Wall Stand Kit for Single Integrated Flat Panel (Part No. WSK-SINGLE)



Item	Part No.	Qty	Description
1	1020547	1	Assembly, uprights, wall stand NOTE: Includes item 2.
2	1021347	1	Assembly, hardware, kit, WS-SBID-500
3	1020546	1	Assembly, panel, wall stand
4	1018900	1	Assembly, cable raceway, RW-500 NOTE: Includes item 5.
5	1021406	1	Assembly, hardware, kit, RW-500