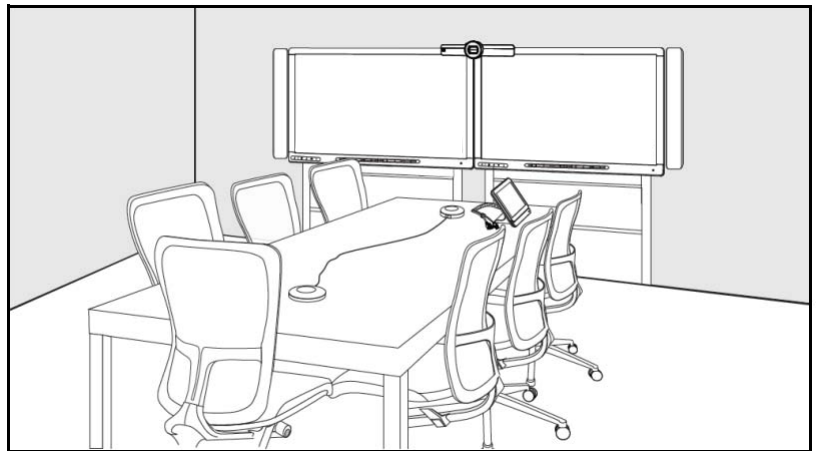


SMART®



Service Parts Diagrams

For Model:

SRS-LYNC-M-DUAL

(with SBID8055i-G5 display)

Service Parts Diagrams Revision History

Revision 1 - March, 2015

- New document

Revision 2 - July, 2015

- Change 1023793 to 1024914
- Change quantity for 1019440 to 1

Standard Warranty Terms

Base product: Two-year limited equipment warranty

First Customer Ship: March, 2015

SMART Technologies

3636 – Research Road NW

Calgary, AB T2L 1Y1

CANADA

Support +1.403.228.5940 or Toll Free 1.866.518.6791 (Canada/U.S.)

Support Fax +1.403.806.1256

www.smarttech.com/contactserviceparts www.smarttech.com

The SMART logo consists of the word "SMART" in a bold, stylized, sans-serif font. The letters are black with a white outline, and a registered trademark symbol (®) is located at the bottom right of the letter "T".

Service Parts Diagrams for the SRS-LYNC-M-DUAL

Identifying Your Product Using the Serial Number	1
Ordering Parts	1
SBID8055i-G5-SMP Parts	2
Speaker Parts	3
Camera Parts	4
Assembly, Cable and Accessories, SRS-Lync-X (Part No. 1019885)	5
Control Panel Parts	6
Monaural Audio System Parts	7
Wall Mount (Part No. WM-SBID-501)	
NOTE: SRS-Lync-M-Dual includes two pieces of WM-SBID-501	8
Appliance Module Enclosure Parts	9
Assembly, Accessory Bracket Kit, SRS-ACC-BK-2 (Part No. 1026454)	10
Optional Wall Stand Kit for Dual Integrated Flat Panels (Part No. WSK-DUAL)	11

Identifying Your Product Using the Serial Number

Each of the major components of your room system has a serial number:

Component	Serial number location
Interactive flat panel	Right underside of the display NOTES: - When requesting technical support, provide SMART support with the interactive panel's serial number. - You can also access the interactive flat panel's serial number from the on-screen display menu.
Lync appliance	Wide side of the Lync appliance
Console	Back of the console
Camera	Top of the camera beside the service light
Table microphones	Bottom of each microphone
Audio processor	Narrow side of the audio processor
Speakers	Back of each speaker

Ordering Parts

Customers

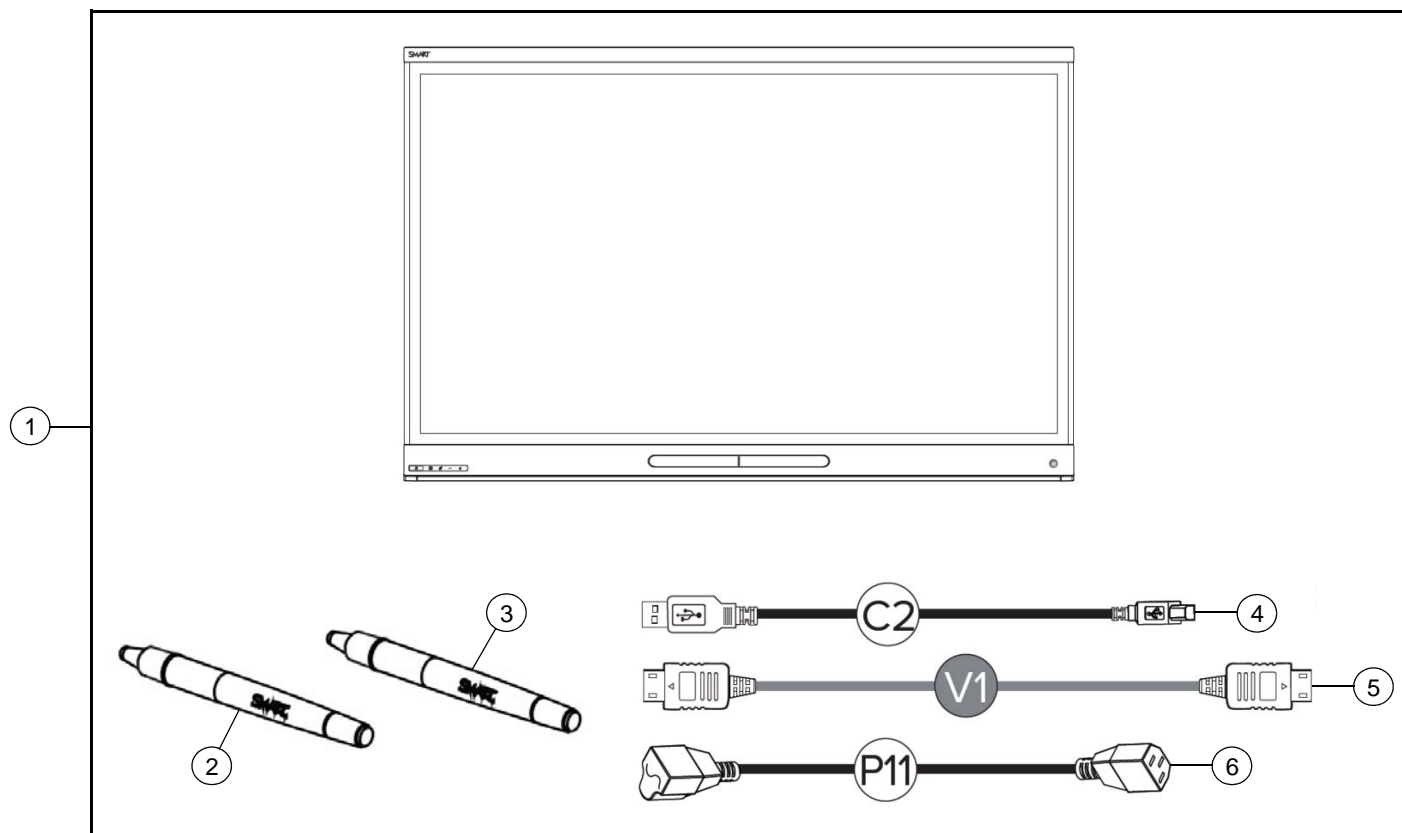
To order any of the parts in these service parts diagrams, contact your local reseller.
To find a reseller near you, visit www.smarttech.com/where.

Dealers and Distributors

For specific technical and pricing enquiries in regards to these diagrams please contact our service parts department.
Pricing is also available on-line via the SOURCE website (source.smarttech.com).

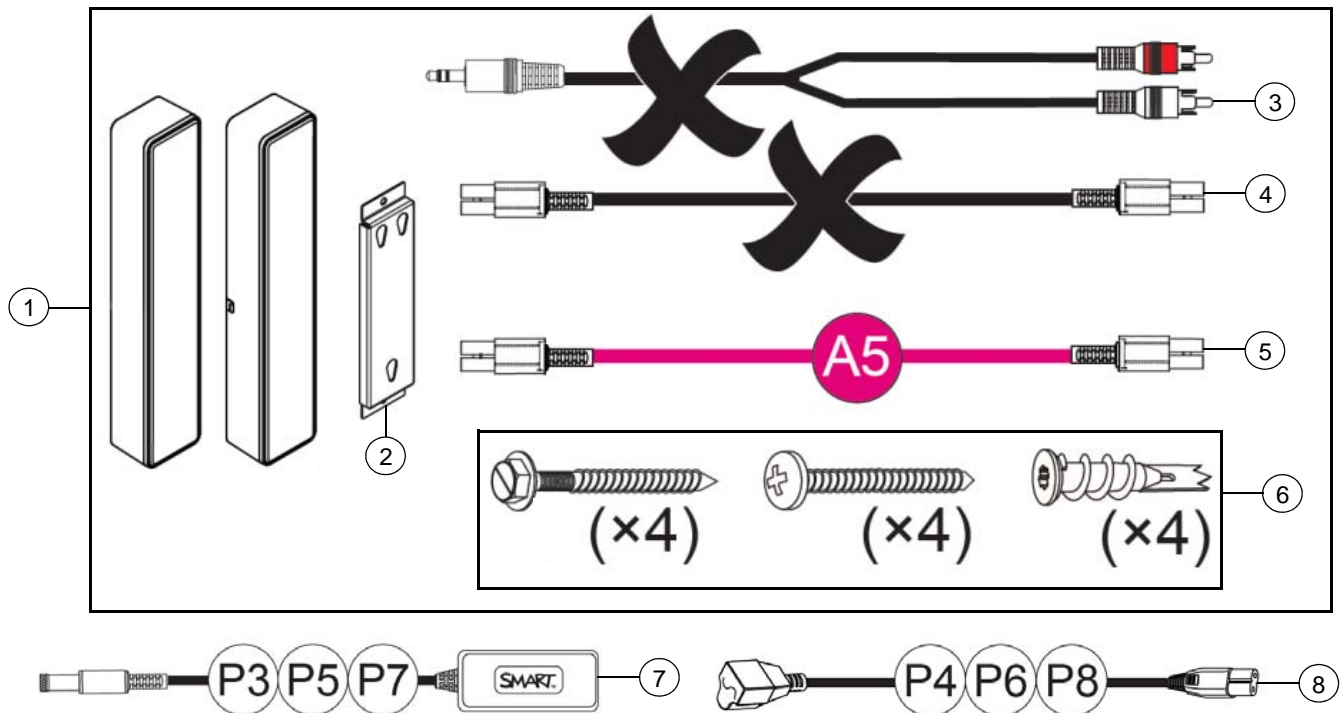
Web Form: www.smarttech.com/contactserviceparts
Phone: 1.888.42.SMART
International: +1.403.245.0333

SBID8055i-G5-SMP Parts



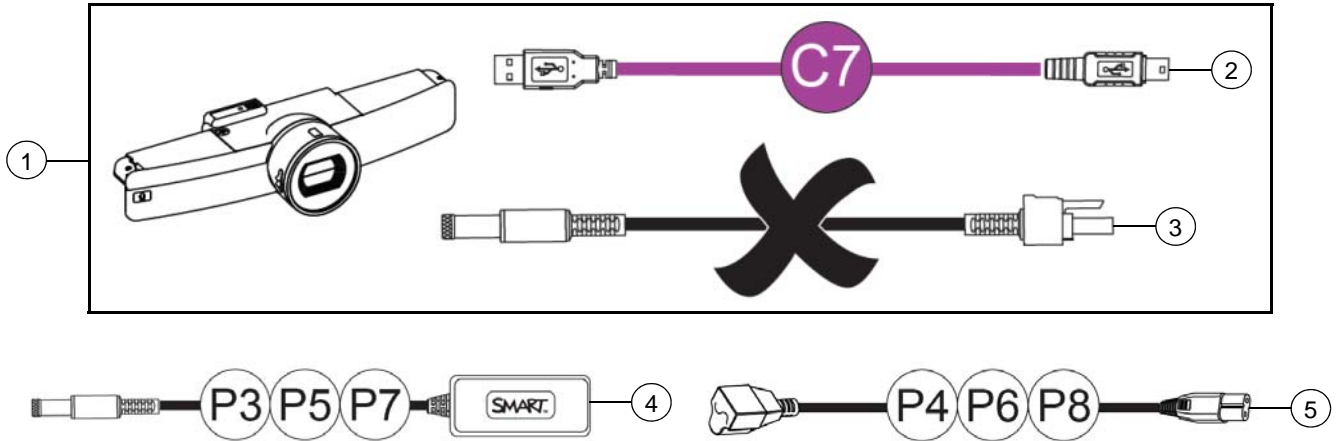
Item	Part No.	Qty	Description
1	SBID8055i-G5-SMP	2	SMART Board 55" interactive flat panel NOTE: When replacing the display the dual lock tape kit (part number 1026970 shown on page 10) will also be required.
2	1025924	2	Replacement Pen for SPNL-6000 Series and SBID8000-G5 Series - Red
3	1025925	2	Replacement Pen for SPNL-6000 Series and SBID8000-G5 Series - Black
4	93-00828-20	2	Cable, USB, A-B, 16' (5.0 m)
5	1019416	2	Cable, HDMI male to HDMI male, 20' 8" (6.3 m)
6	1022063	2	Cable, power, North America, 8' (2.4 m)
6	93-055	2	Cable, power, United Kingdom, 8' (2.4 m)
6	93-056	2	Cable, power, Australia, 8' (2.4 m)
6	93-054	2	Cable, power, Europe, 8' (2.4 m)
6	93-00708-20	2	Cable, power, China, 8' (2.4 m)
6	93-00654-20	2	Cable, power, Japan, 8' (2.4 m)

Speaker Parts



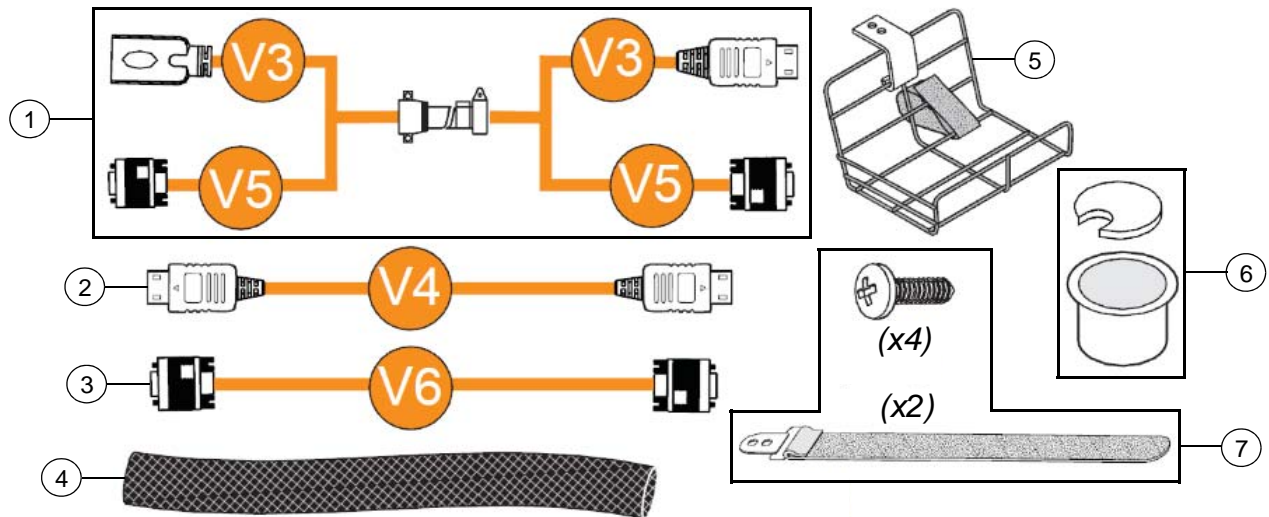
Item	Part No.	Qty	Description
1	1017846	1	Assembly, speakers, CSR500
2	1021019	2	Assembly, mounting bracket kit, CSR500
3	1019133	1	Cable, audio, 3.5 mm male to dual RCA male, 1' 7" (50 cm) NOTE: Not used in a SRS-Lync-M-Dual installation.
4	1019134	1	Cable, power, 1' 7" (50 cm) NOTE: Not used in a SRS-Lync-M-Dual installation.
5	1019132	1	Cable, audio, left to right speaker, 16' (5.0 m)
6	1021002	1	Assembly, hardware, kit, CSR500
7	1024914	1	Power supply, 19V DC, 3.0A, universal switching
8	93-00592-20	1	Cable, power, North America, 6' 6" (2.0 m)
8	93-00542-20	1	Cable, power, Europe, 6' 6" (2.0 m)
8	93-00543-20	1	Cable, power, United Kingdom, 6' 6" (2.0 m)
8	93-00806-20	1	Cable, power, China, 6' 6" (2.0 m)
8	93-00576-20	1	Cable, power, Australia, 6' 6" (2.0 m)
8	1023214	1	Cable, power, Japan, 6' 6" (2.0 m)

Camera Parts



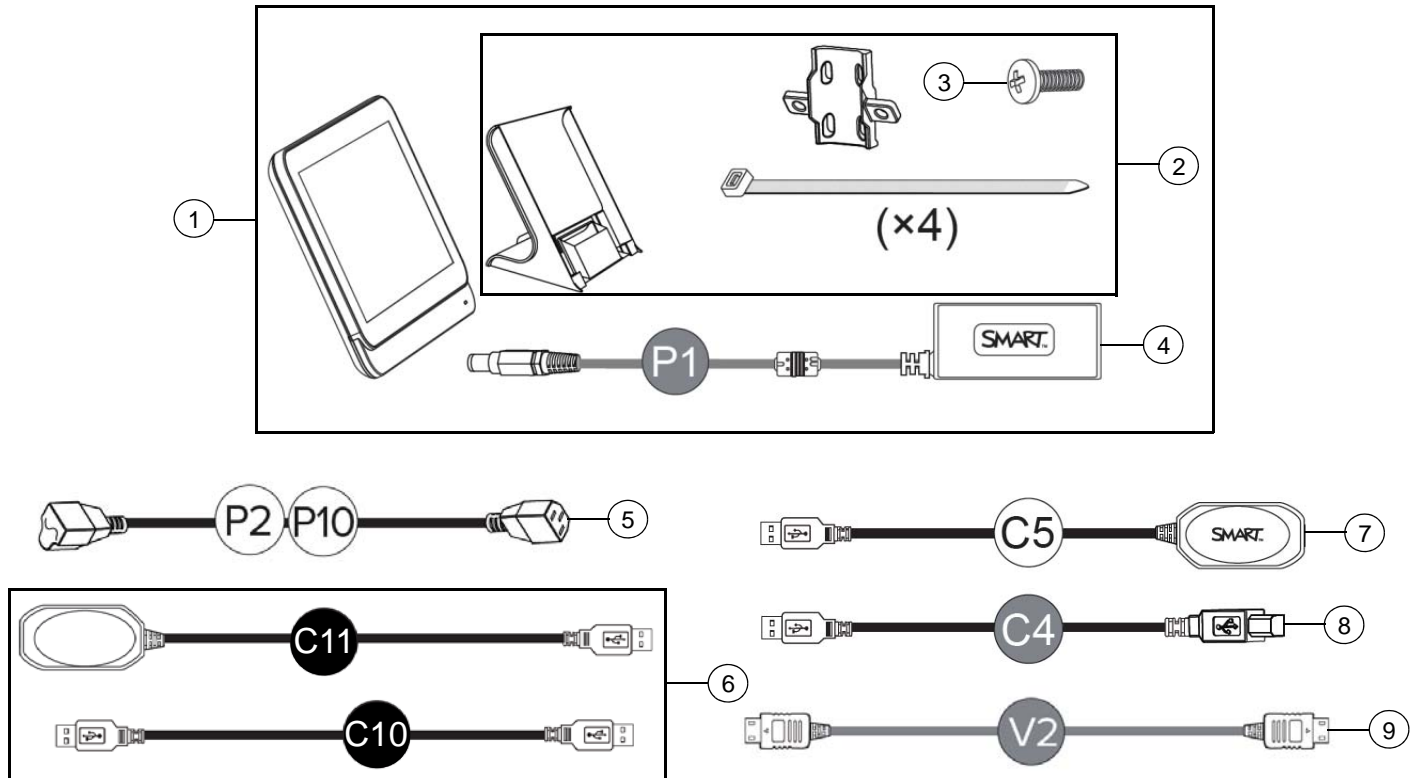
Item	Part No.	Qty	Description
1	1019674	1	Assembly, camera, CAM301 NOTE: When replacing cameras the dual lock tape kit (part number 1026970 shown on page 10) will also be required.
2	1020902	1	Cable, USB A to USB Mini-B, 9' 10" (3.0 m)
3	1020900	1	Cable, power, 4' 7" (1.4 m) NOTE: Not used in a SRS-Lync-M-Dual installation.
4	1024914	1	Power supply, 19V DC, 3.0A, universal switching
5	93-00592-20	1	Cable, power, North America, 6' 6" (2.0 m)
5	93-00542-20	1	Cable, power, Europe, 6' 6" (2.0 m)
5	93-00543-20	1	Cable, power, United Kingdom, 6' 6" (2.0 m)
5	93-00806-20	1	Cable, power, China, 6' 6" (2.0 m)
5	93-00576-20	1	Cable, power, Australia, 6' 6" (2.0 m)
5	1023214	1	Cable, power, Japan, 6' 6" (2.0 m)

Assembly, Cable and Accessories, SRS-Lync-X (Part No. 1019885)



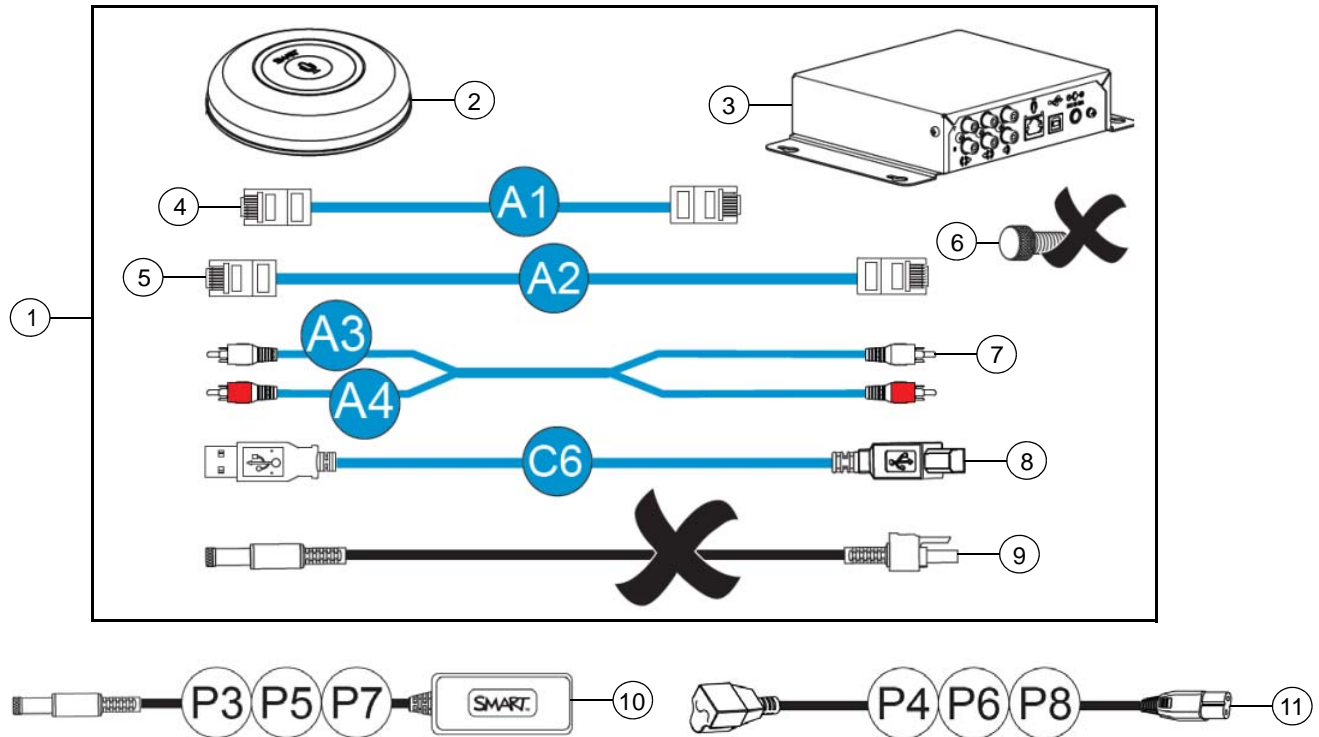
Item	Part No.	Qty	Description
1	1019403	1	Cable, extension, HDMI/HD15 female to HDMI/HD15 male, 9' 10" (3.0 m)
2	1019404	1	Cable, HDMI male to HDMI male, 20' 8" (6.3 m)
3	1019406	1	Cable, video, HD15 male to HD15 male, 20' 8" (6.3 m)
4	1021043	1	Expandable braided sleeve, 1" (2.5 cm) outside diameter, 3' 11" (1.2 m) long, black
5	1020505	1	Assembly, tray, cable, wire
6	1020504	1	Grommet, table
7	1020506	1	Assembly, strap, cable, Velcro, 3/4" (2 cm) x 1' (30.5 cm)

Control Panel Parts



Item	Part No.	Qty	Description
1	1018288	1	Assembly, control panel, CP311
2	1021194	1	Assembly, FRU, stand, CP311 NOTE: Includes 4 pieces of item 3.
3	1020230	4	Screw, M4 x 8 mm, Phillips, pan head
4	1019669	1	Power supply, 12V DC, 3.33A, universal switching
5	1022063	1	Cable, power, North America, 8' (2.4 m)
5	93-055	1	Cable, power, United Kingdom, 8' (2.4 m)
5	93-056	1	Cable, power, Australia, 8' (2.4 m)
5	93-054	1	Cable, power, Europe, 8' (2.4 m)
5	93-00708-20	1	Cable, power, China, 8' (2.4 m)
5	93-00654-20	1	Cable, power, Japan, 8' (2.4 m)
6	1024293	1	Assembly, SRS-USB-BRIDGE, Interactive Sharing Cable Only
7	USB-XT	1	USB active extension cable 16' (5.0 m)
8	1019521	1	Cable, USB, A-B, 4' 3" (1.3 m)
9	1019416	1	Cable, HDMI male to HDMI male, 20' 8" (6.3 m)

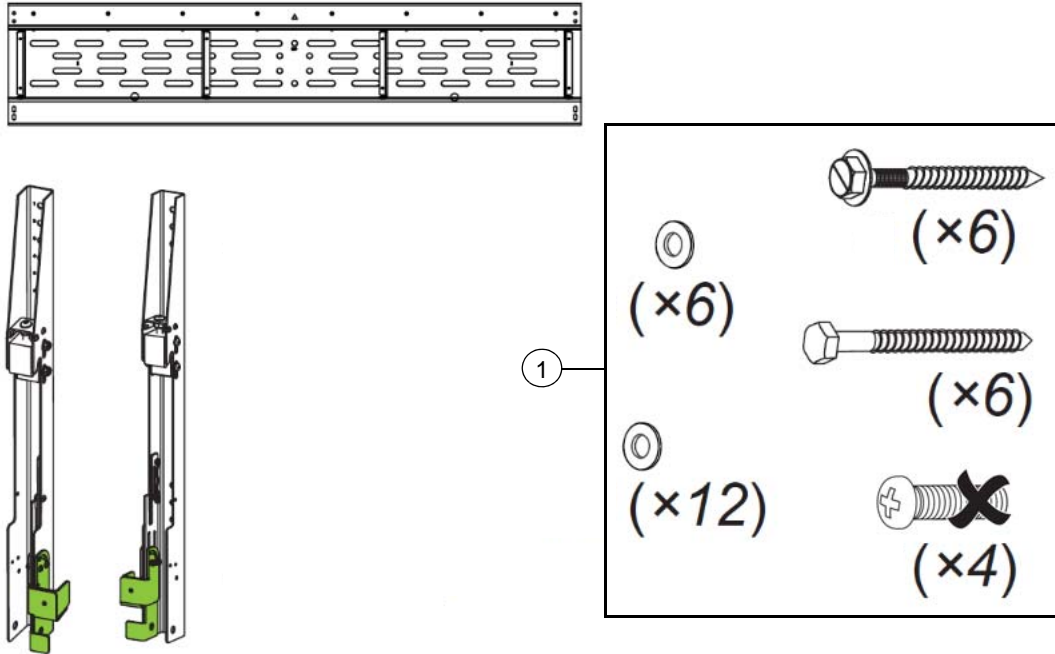
Monaural Audio System Parts



Item	Part No.	Qty	Description
1	1018285	1	Assembly, monaural audio system
2	MIC500	2	Microphone for SMART Room System NOTE: Includes item 4.
3	1018756	1	Assembly, FRU, Processor, Monaural Audio, MIX500
4	1019752	1	Cable, RJ45 to RJ45, 13' 1" (4.0 m)
5	1019739	1	Cable, RJ45 to RJ45, 29' 6" (9.0 m)
6	1019440	1	Screw, thumb, M4 x 5 mm, Phillips (set of four) NOTE: Not used in a SRS-Lync-M-Dual installation.
7	1020352	1	Cable, audio, dual RCA to dual RCA, 6' (1.8 m)
8	1020351	1	Cable, USB, A-B, 6' (1.8 m)
9	1020353	1	Cable, power, 1' 7" (50 cm) NOTE: Not used in a SRS-Lync-M-Dual installation.
10	1024914	1	Power supply, 19V DC, 3.0A, universal switching
11	93-00592-20	1	Cable, power, North America, 6' 6" (2.0 m)
11	93-00542-20	1	Cable, power, Europe, 6' 6" (2.0 m)
11	93-00543-20	1	Cable, power, United Kingdom, 6' 6" (2.0 m)
11	93-00806-20	1	Cable, power, China, 6' 6" (2.0 m)
11	93-00576-20	1	Cable, power, Australia, 6' 6" (2.0 m)
11	1023214	1	Cable, power, Japan, 6' 6" (2.0 m)

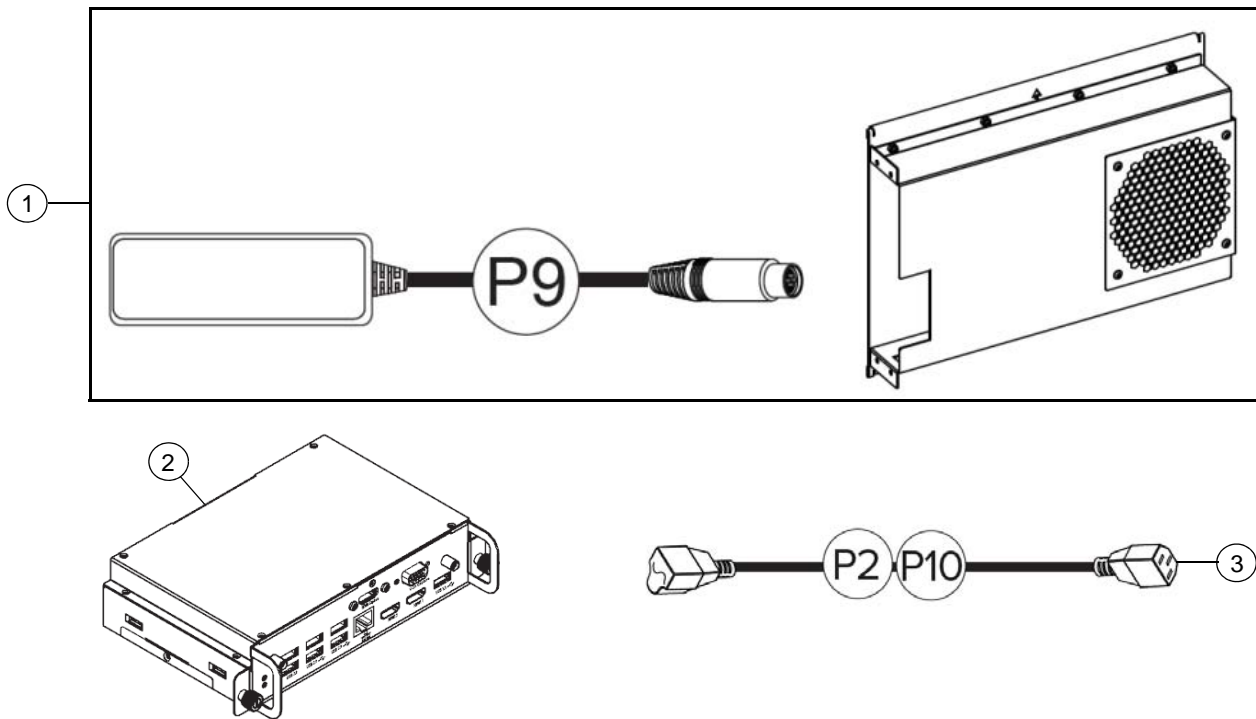
Wall Mount (Part No. WM-SBID-501)

NOTE: SRS-Lync-M-Dual includes two pieces of WM-SBID-501



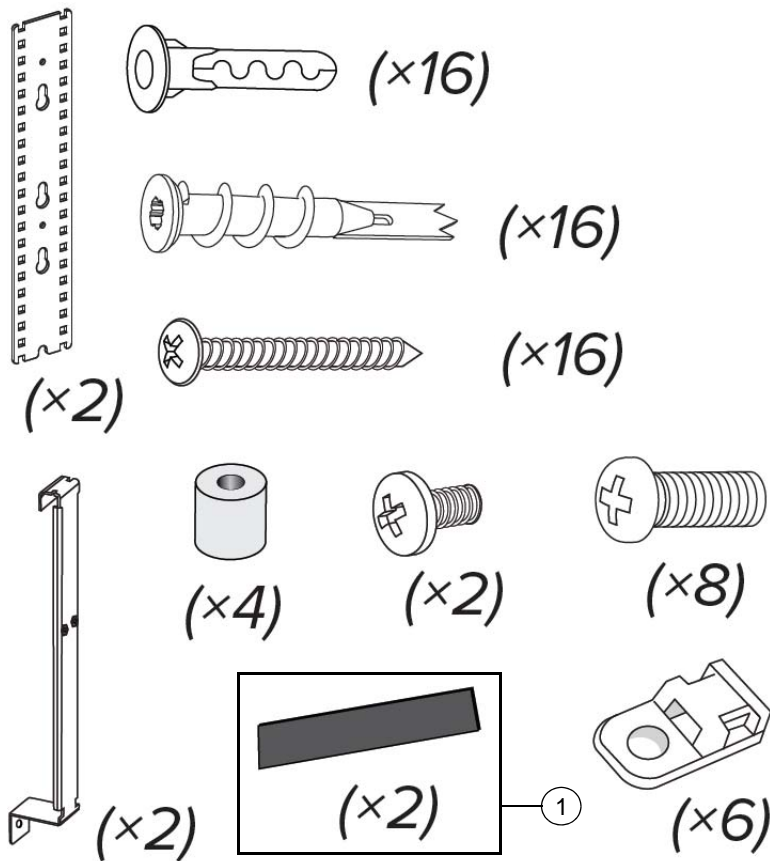
Item	Part No.	Qty	Description
1	1022216	2	Assembly, hardware, kit, WM-SBID-501/502 NOTE: The four bolts included with this kit are not to be used for mounting the SBID8055i-G5 display. The shorter bolts included with the SRS-ACC-BK-2 bracket kit (part number 1026454 shown on page 10) should be used instead.

Appliance Module Enclosure Parts



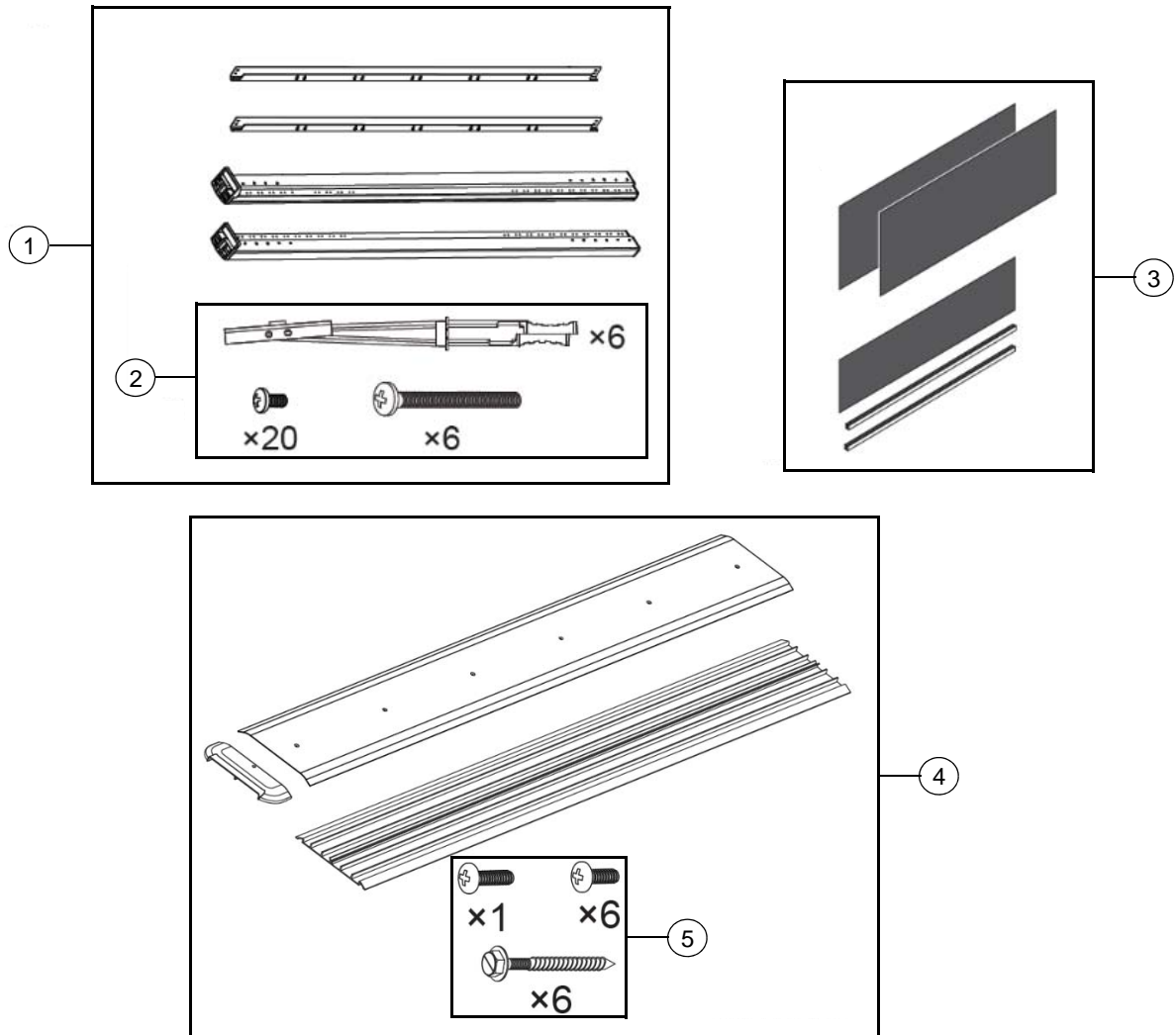
Item	Part No.	Qty	Description
1	1022896	1	Assembly, appliance module enclosure, AM-ENC-L
2	FRU-AM70-L	1	FRU, Computer, AM70-L
3	1022063	1	Cable, power, North America, 8' (2.4 m)
3	93-055	1	Cable, power, United Kingdom, 8' (2.4 m)
3	93-056	1	Cable, power, Australia, 8' (2.4 m)
3	93-054	1	Cable, power, Europe, 8' (2.4 m)
3	93-00708-20	1	Cable, power, China, 8' (2.4 m)
3	93-00654-20	1	Cable, power, Japan, 8' (2.4 m)

Assembly, Accessory Bracket Kit, SRS-ACC-BK-2 (Part No. 1026454)



Item	Part No.	Qty	Description
1	1026970	1	Kit, Tape Dual Lock, Reclosable Fastener

Optional Wall Stand Kit for Dual Integrated Flat Panels (Part No. WSK-DUAL)



Item	Part No.	Qty	Description
1	1020547	2	Assembly, uprights, wall stand NOTE: Includes item 2.
2	1021347	2	Assembly, hardware, kit, WS-SBID-500
3	1020546	4	Assembly, panel, wall stand
4	1018900	1	Assembly, cable raceway, RW-500 NOTE: Includes item 5.
5	1021406	1	Assembly, hardware, kit, RW-500