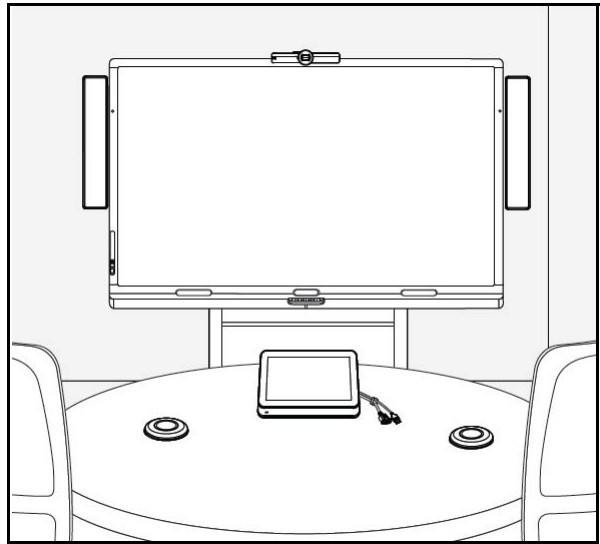


SMART[®]



Service Parts Diagrams

**For Model:
SRS-Lync-M**

Service Parts Diagrams Revision History

Revision 1 - October, 2013

- New document

Revision 2 - January, 2014

- Change 93-051 to 1022063
- Add 93-00708-20, 93-00654-20, 1021043, 1020505, 1020504, 1020506, 1021194, 1020230, 1019669, 1020351, 1020352, 1019752, 1019739, 1020353, 1019440, 1022216, 1021347 and 1021406

Revision 3 - April, 2014

- Add 1018756

Revision 4 - July, 2014

- Add FRU-SBID-G4-CAM-A and FRU-SBID-G4-CAM-B

Revision 5 - July, 2015

- Add FRU-SBID-G4-CSM-2, 1024914, 93-00592-20, 93-00542-20, 93-00543-20, 93-00806-20, 93-00576-20, 1023214, 1024293 and 1024906
- Change quantity for 1019440 to 1

Standard Warranty Terms

Base product: Two-year limited equipment warranty

First Customer Ship: October, 2013

SMART Technologies

3636 – Research Road NW

Calgary, AB T2L 1Y1

CANADA

Support +1.403.228.5940 or Toll Free 1.866.518.6791 (Canada/U.S.)

Support Fax +1.403.806.1256

www.smarttech.com/contactserviceparts www.smarttech.com



Service Parts Diagrams for the SRS-Lync-M

Identifying Your Product Using the Serial Number	1
Ordering Parts	1
SBID8084i-G4 Parts	2
Speaker Parts	4
Assembly, Camera, CAM301 (Part No. 1019674)	5
Assembly, Cable and Accessories, SRS-Lync-X (Part No. 1019885)	6
Control Panel Parts	7
Assembly, Monaural Audio System (Part No. 1018285)	8
Wall Mount, SBID8084i-G4 (Part No. WM-SBID-502)	9
Optional Wall Stand Kit for Single Integrated Flat Panel (Part No. WSK-SINGLE)	10

Identifying Your Product Using the Serial Number

Each of the major components of your room system has a serial number:

Component	Serial number location
Interactive flat panel	Left underside of the pen ledge NOTES: - When requesting technical support, provide SMART support with the interactive panel's serial number. - You can also access the interactive flat panel's serial number from the on-screen display menu.
Lync appliance	Wide side of the Lync appliance
Console	Back of the console
Camera	Top of the camera beside the service light
Table microphones	Bottom of each microphone
Audio processor	Narrow side of the audio processor
Speakers	Back of each speaker

Ordering Parts

Customers

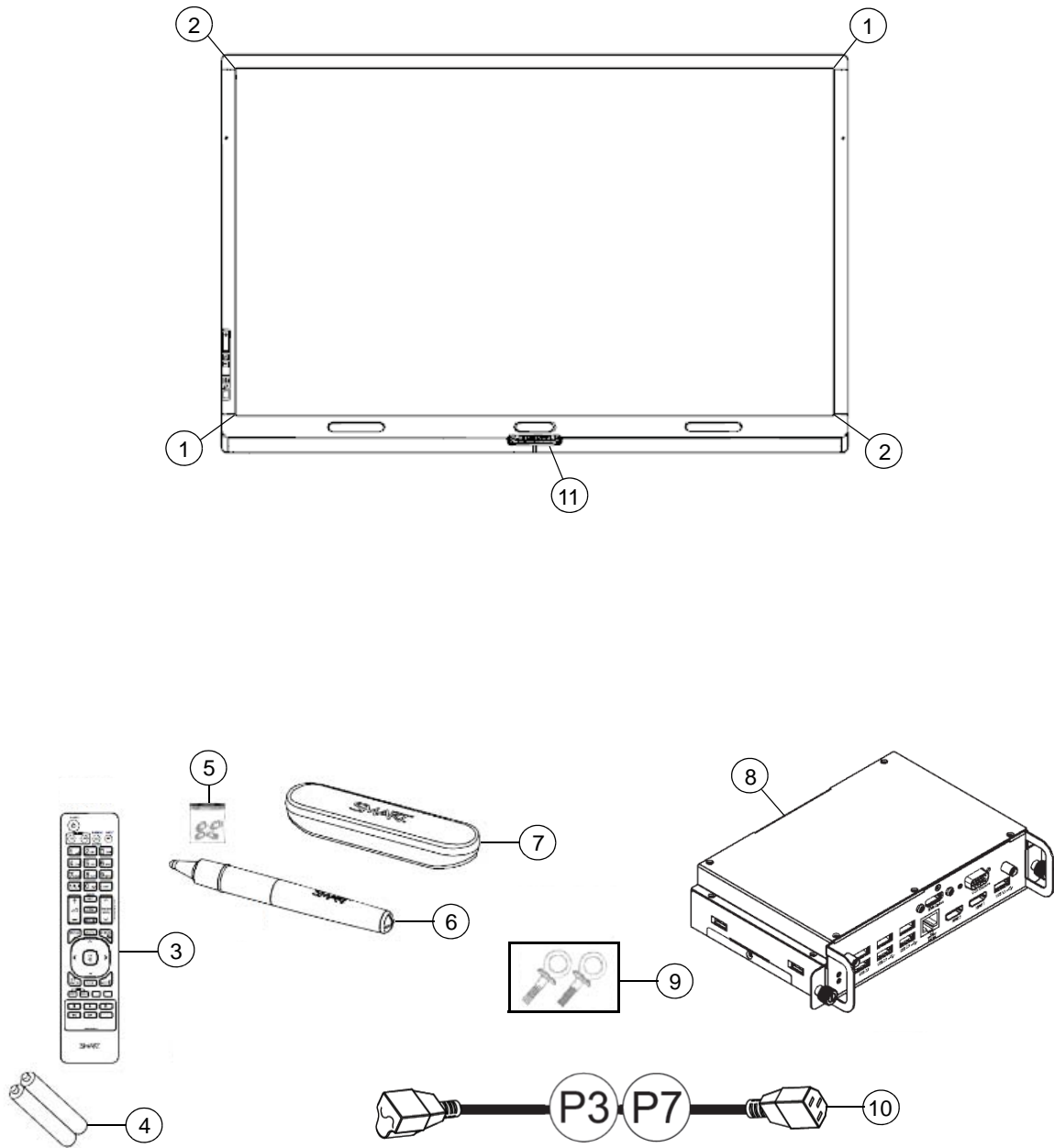
To order any of the parts in these service parts diagrams, contact your local reseller.
To find a reseller near you, visit www.smarttech.com/where.

Dealers and Distributors

For specific technical and pricing enquiries in regards to these diagrams please contact our service parts department.
Pricing is also available on-line via the SOURCE website (source.smarttech.com).

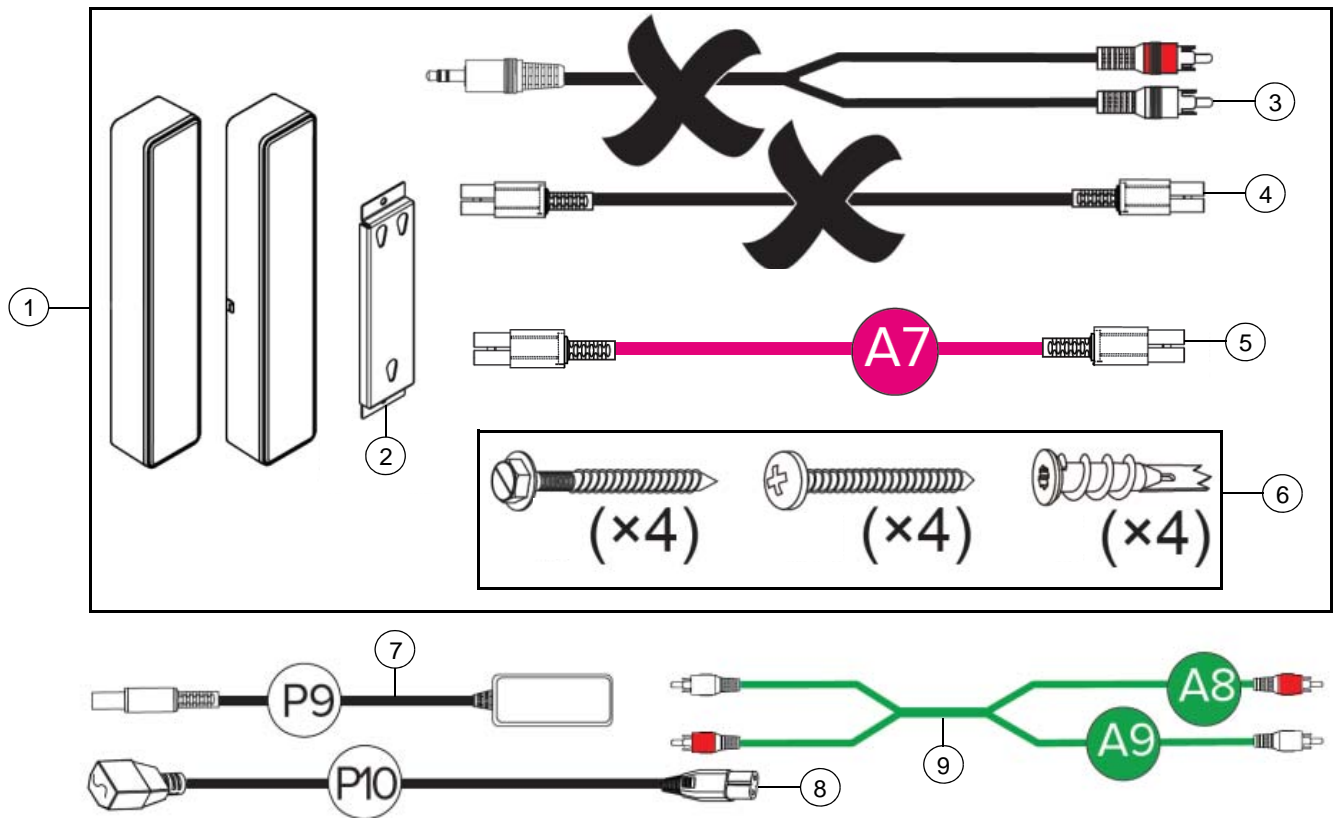
Web Form: www.smarttech.com/contactserviceparts
Phone: 1.888.42.SMART
International: +1.403.245.0333

SBID8084i-G4 Parts



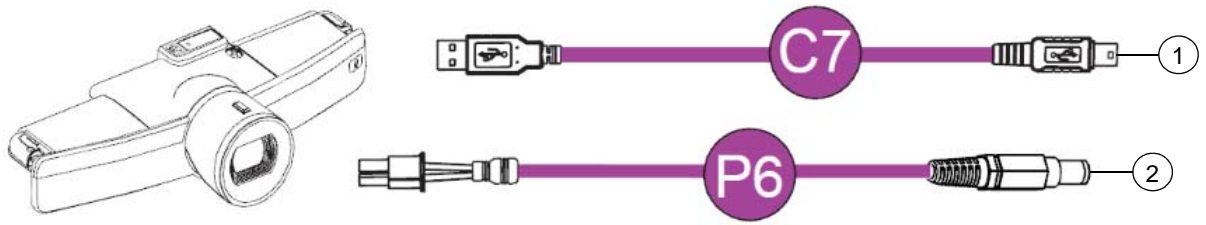
Item	Part No.	Qty	Description
1	FRU-SBID-G4-CAM-A	2	FRU, Camera A, SBID-G4, Position 0 and 2
2	FRU-SBID-G4-CAM-B	2	FRU, Camera B, SBID-G4, Position 1 and 3
3	1020076	1	Assembly, remote control, SBID8084i-G4
4	01-00257	2	Battery, AAA
5	FRU-NIB-SBID	1	Replacement Nibs for the SMART Board Interactive Display Pen - Set of Four
6	RPEN-SBID	2	Assembly, stylus NOTE: Includes set of four spare pen nibs.
7	RERASER-SBID	1	Assembly, eraser
8	FRU-AM70-L	1	FRU, Computer, AM70-L
9	1020372	1	Eye bolt, set of two NOTE: Required only when lifting the display.
10	1022063	1	Cable, power, North America, 8' (2.4 m)
10	93-055	1	Cable, power, United Kingdom, 8' (2.4 m)
10	93-056	1	Cable, power, Australia, 8' (2.4 m)
10	93-054	1	Cable, power, Europe, 8' (2.4 m)
10	93-00708-20	1	Cable, power, China, 8' (2.4 m)
10	93-00654-20	1	Cable, power, Japan, 8' (2.4 m)
11	FRU-SBID-G4-CSM-2	1	FRU, Color Select Module (CSM), SBID-G4, Revision 2

Speaker Parts



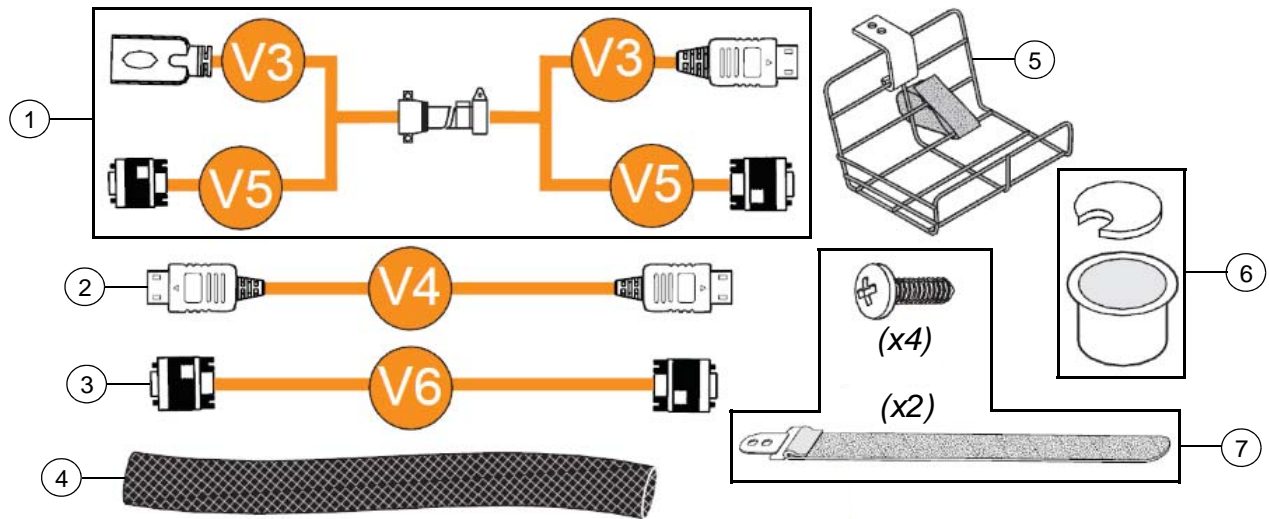
Item	Part No.	Qty	Description
1	1017846	1	Assembly, speakers, CSR500
2	1021019	2	Assembly, mounting bracket kit, CSR500
3	1019133	1	Cable, audio, 3.5 mm male to dual RCA male, 1' 7" (50 cm) NOTE: Not used in a SRS-Lync-M installation.
4	1019134	1	Cable, power, 1' 7" (50 cm) NOTE: Not used in a SRS-Lync-M installation.
5	1019132	1	Cable, audio, left to right speaker, 16' (5.0 m)
6	1021002	1	Assembly, hardware, kit, CSR500
7	1024914	1	Power supply, 19V DC, 3.0A, universal switching
8	93-00592-20	1	Cable, power, North America, 6' 6" (2.0 m)
8	93-00542-20	1	Cable, power, Europe, 6' 6" (2.0 m)
8	93-00543-20	1	Cable, power, United Kingdom, 6' 6" (2.0 m)
8	93-00806-20	1	Cable, power, China, 6' 6" (2.0 m)
8	93-00576-20	1	Cable, power, Australia, 6' 6" (2.0 m)
8	1023214	1	Cable, power, Japan, 6' 6" (2.0 m)
9	1024906	1	Cable, audio, dual RCA male to dual RCA male, 11' 6" (3.5 m)

Assembly, Camera, CAM301 (Part No. 1019674)



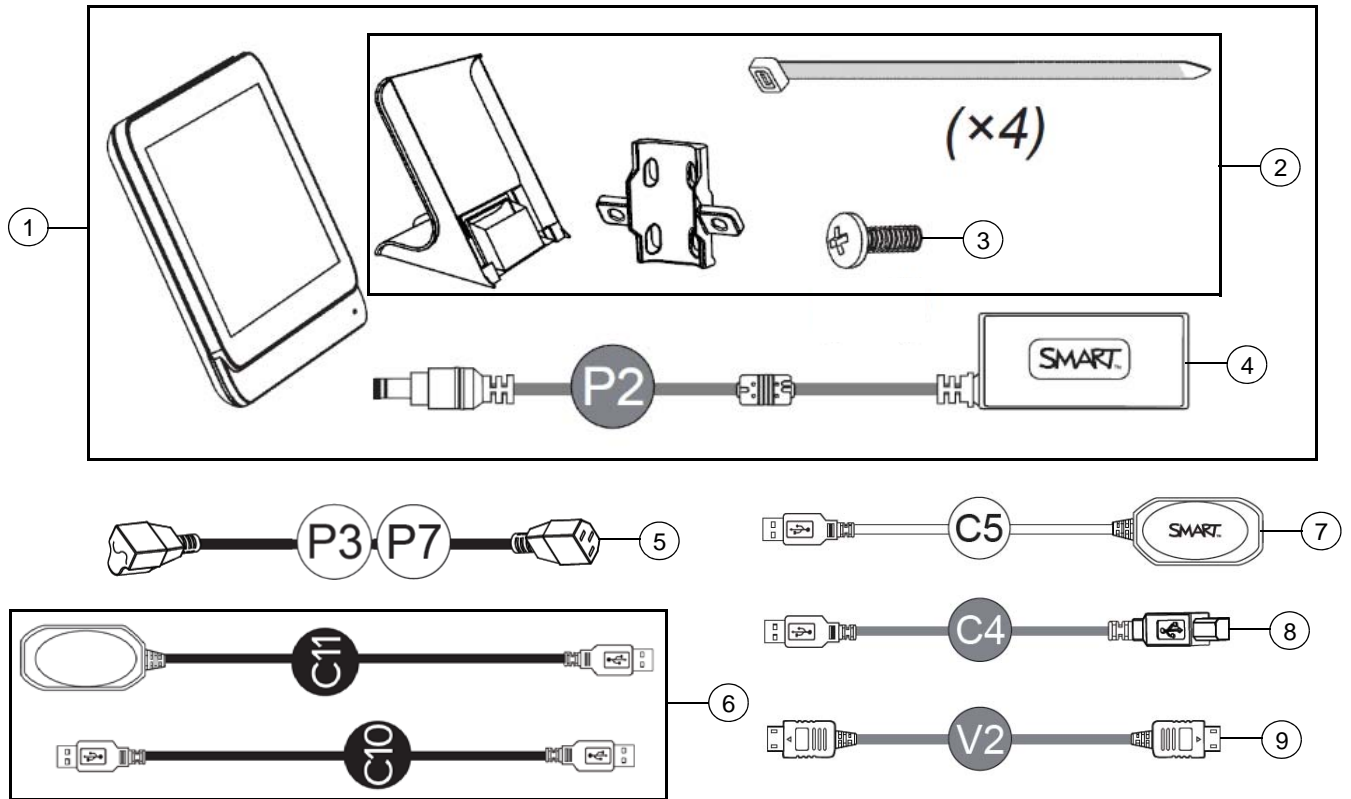
Item	Part No.	Qty	Description
1	1020902	1	Cable, USB A to USB Mini-B, 9' 10" (3.0 m)
2	1020900	1	Cable, power, 4' 7" (1.4 m)

Assembly, Cable and Accessories, SRS-Lync-X (Part No. 1019885)



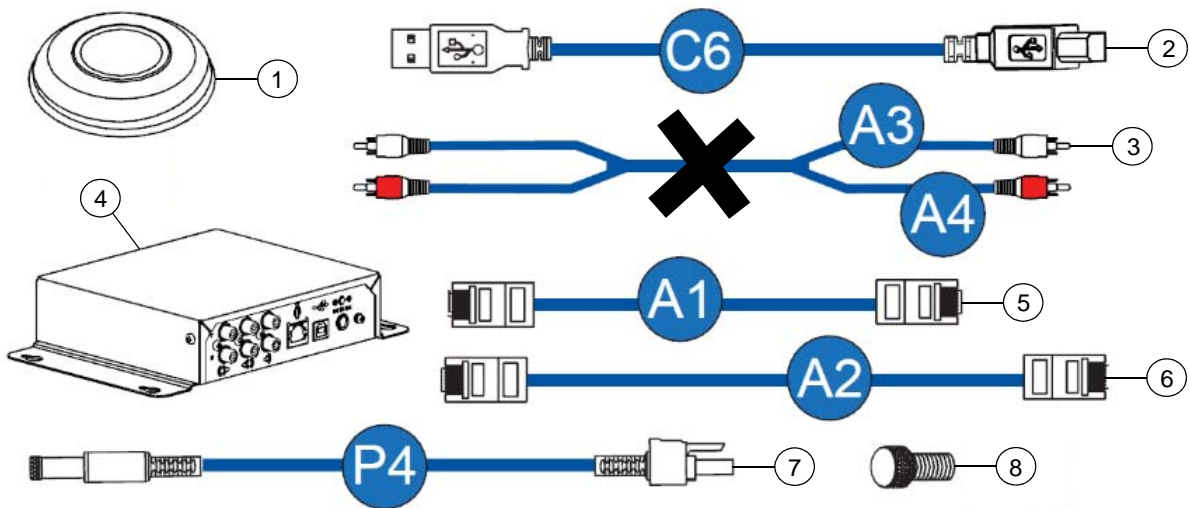
Item	Part No.	Qty	Description
1	1019403	1	Cable, extension, HDMI/HD15 female to HDMI/HD15 male, 9' 10" (3.0 m)
2	1019404	1	Cable, HDMI male to HDMI male, 20' 8" (6.3 m)
3	1019406	1	Cable, video, HD15 male to HD15 male, 20' 8" (6.3 m)
4	1021043	1	Expandable braided sleeve, 1" (2.5 cm) outside diameter, 3' 11" (1.2 m) long, black
5	1020505	1	Assembly, tray, cable, wire
6	1020504	1	Grommet, table
7	1020506	1	Assembly, strap, cable, Velcro, 3/4" (2 cm) × 1' (30.5 cm)

Control Panel Parts



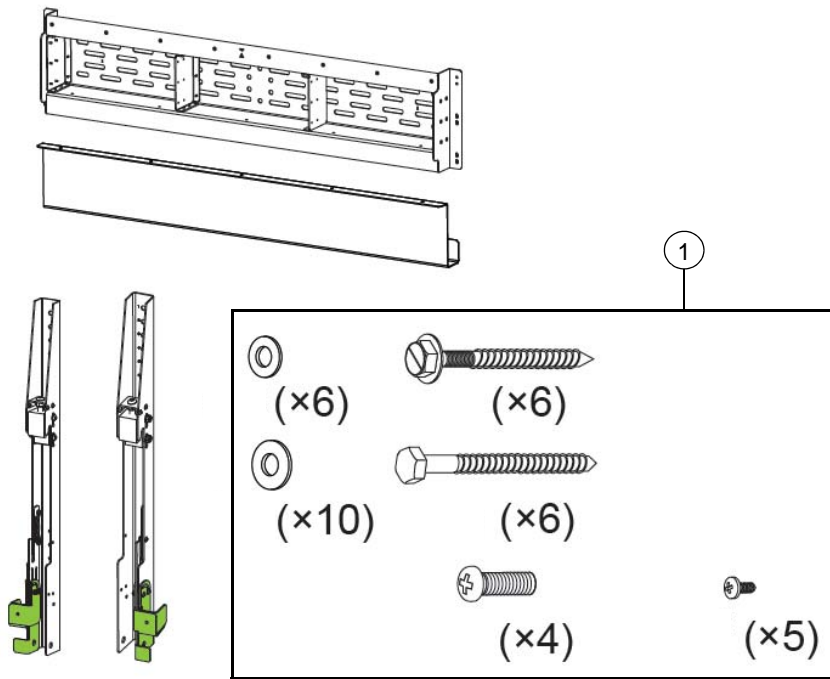
Item	Part No.	Qty	Description
1	1018288	1	Assembly, control panel, CP311
2	1021194	1	Assembly, FRU, stand, CP311 NOTE: Includes 4 pieces of item 3.
3	1020230	1	Screw, M4 x 8 mm, Phillips, pan head (set of four)
4	1019669	1	Power supply, 12V DC, 3.33A, universal switching
5	1022063	1	Cable, power, North America, 8' (2.4 m)
5	93-055	1	Cable, power, United Kingdom, 8' (2.4 m)
5	93-056	1	Cable, power, Australia, 8' (2.4 m)
5	93-054	1	Cable, power, Europe, 8' (2.4 m)
5	93-00708-20	1	Cable, power, China, 8' (2.4 m)
5	93-00654-20	1	Cable, power, Japan, 8' (2.4 m)
6	1024293	1	Assembly, SRS-USB-BRIDGE, Interactive Sharing Cable Only
7	USB-XT	1	USB active extension cable 16' (5.0 m)
8	1019521	1	Cable, USB, A-B, 4' 3" (1.3 m)
9	1019416	1	Cable, HDMI male to HDMI male, 20' 8" (6.3 m)

Assembly, Monaural Audio System (Part No. 1018285)



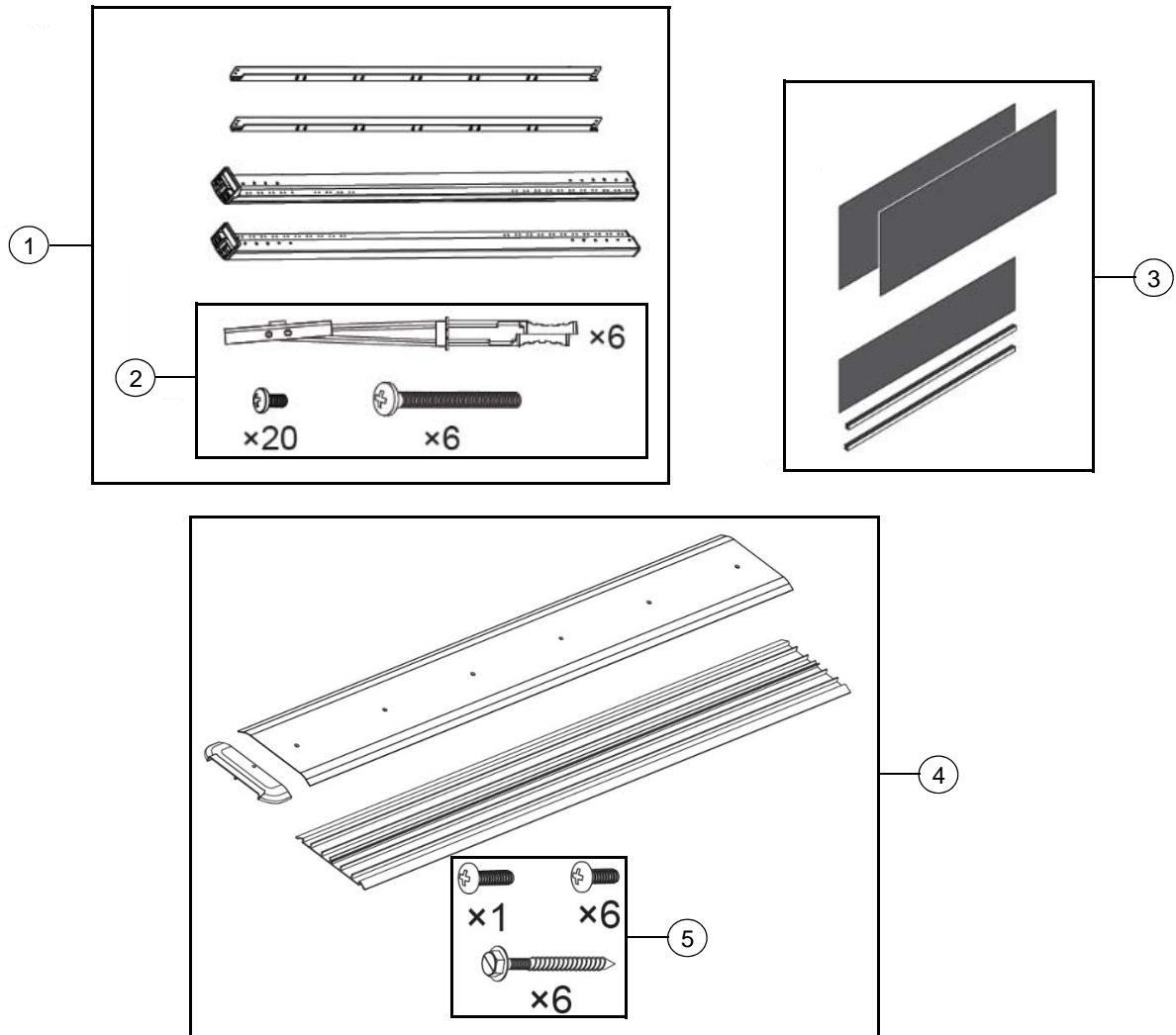
Item	Part No.	Qty	Description
1	MIC500	2	Microphone for SMART Room System NOTE: Includes item 5.
2	1020351	1	Cable, USB, A-B, 6' (1.8 m)
3	1020352	1	Cable, audio, dual RCA to dual RCA, 6' (1.8 m) NOTE: Not used in a SRS-Lync-M installation.
4	1018756	1	Assembly, FRU, Processor, Monaural Audio, MIX500
5	1019752	1	Cable, RJ45 to RJ45, 13' 1" (4.0 m)
6	1019739	1	Cable, RJ45 to RJ45, 29' 6" (9.0 m)
7	1020353	1	Cable, power, 1' 7" (50 cm)
8	1019440	1	Screw, thumb, M4 x 5 mm, Phillips (set of four)

Wall Mount, SBID8084i-G4 (Part No. WM-SBID-502)



Item	Part No.	Qty	Description
1	1022216	1	Assembly, hardware, kit, WM-SBID-501/502

Optional Wall Stand Kit for Single Integrated Flat Panel (Part No. WSK-SINGLE)



Item	Part No.	Qty	Description
1	1020547	1	Assembly, uprights, wall stand NOTE: Includes item 2.
2	1021347	1	Assembly, hardware, kit, WS-SBID-500
3	1020546	2	Assembly, panel, wall stand
4	1018900	1	Assembly, cable raceway, RW-500 NOTE: Includes item 5.
5	1021406	1	Assembly, hardware, kit, RW-500