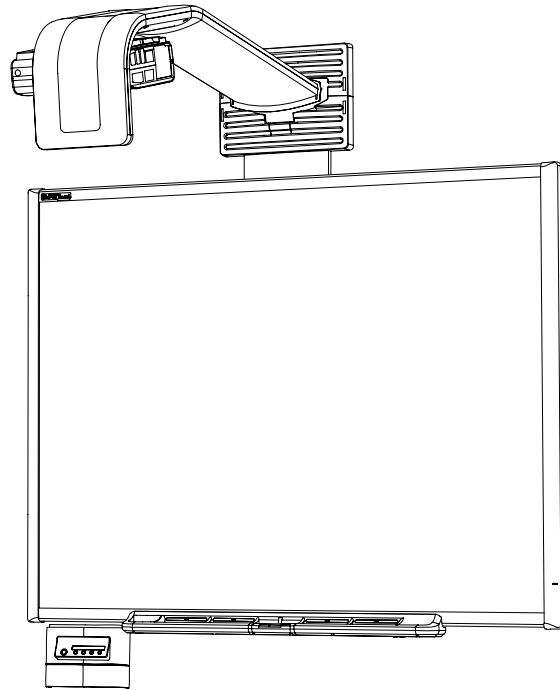


# SMART™



## *Service Parts Diagrams*

**For Model:  
UF45-680  
UF45-660**

# Service Parts Diagrams Revision History

## Revision 1 - Feb, 2008

- New document

## Revision 2 - July, 2008

- Change 20-00925-20 to 20-00925-22
- Change 20-00907-20 to 20-00907-21
- Add 93-00633-20
- Add reference to model UF45-660
- Change 20-00908-20 to 20-00908-21
- Change 51-00662-20 to 51-00662-21
- Change 51-00661-20 to 51-00661-21
- Add 20-00995-20

## Revision 3 - April, 2009

- Add 20-00906-20
- Add 52-00482-20

## Standard Warranty Terms

The projector and extended control panel have a three-year limited equipment warranty. The Unifi 45 projector lamp has a 500 hour/90 day warranty.

First Customer Ship: February, 2008

---

### SMART Technologies

3636 Research Road NW  
Calgary, AB T2L 1Y1  
CANADA

Support +1.403.228.5940 or Toll Free 1.866.518.6791 (Canada/U.S.)

Support Fax +1.403.806.1256

ServiceParts@smarttech.com www.smarttech.com



# Service Parts Diagrams for the UF45-680 and UF45-660

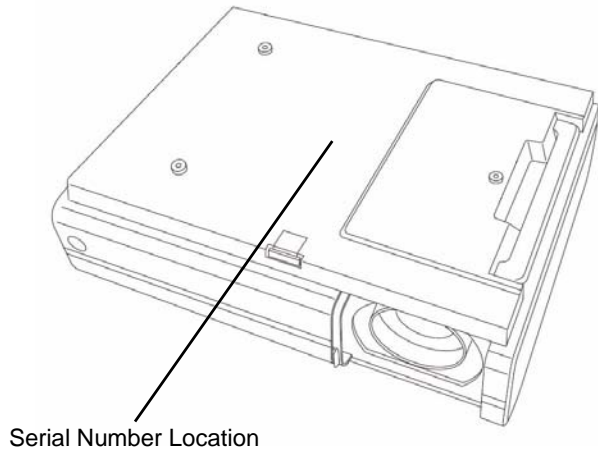
---

- Identifying Your Product Using the Serial Number ..... 1
- Ordering Parts ..... 1
- Unifi 45 Mount and Documentation ..... 2
- Unifi 45 Mirror Assembly (Part No. 20-00906-20) ..... 3
- Unifi 45 Connection Cables, Hardware and Projector Accessories ..... 4



## Identifying Your Product Using the Serial Number

To make sure that you have the correct service parts diagrams, you must verify the serial number of your Unifi 45 Projector. An example of the serial number format is shown below.



**37639379**

Unique Serial Number

## Ordering Parts

### Customers

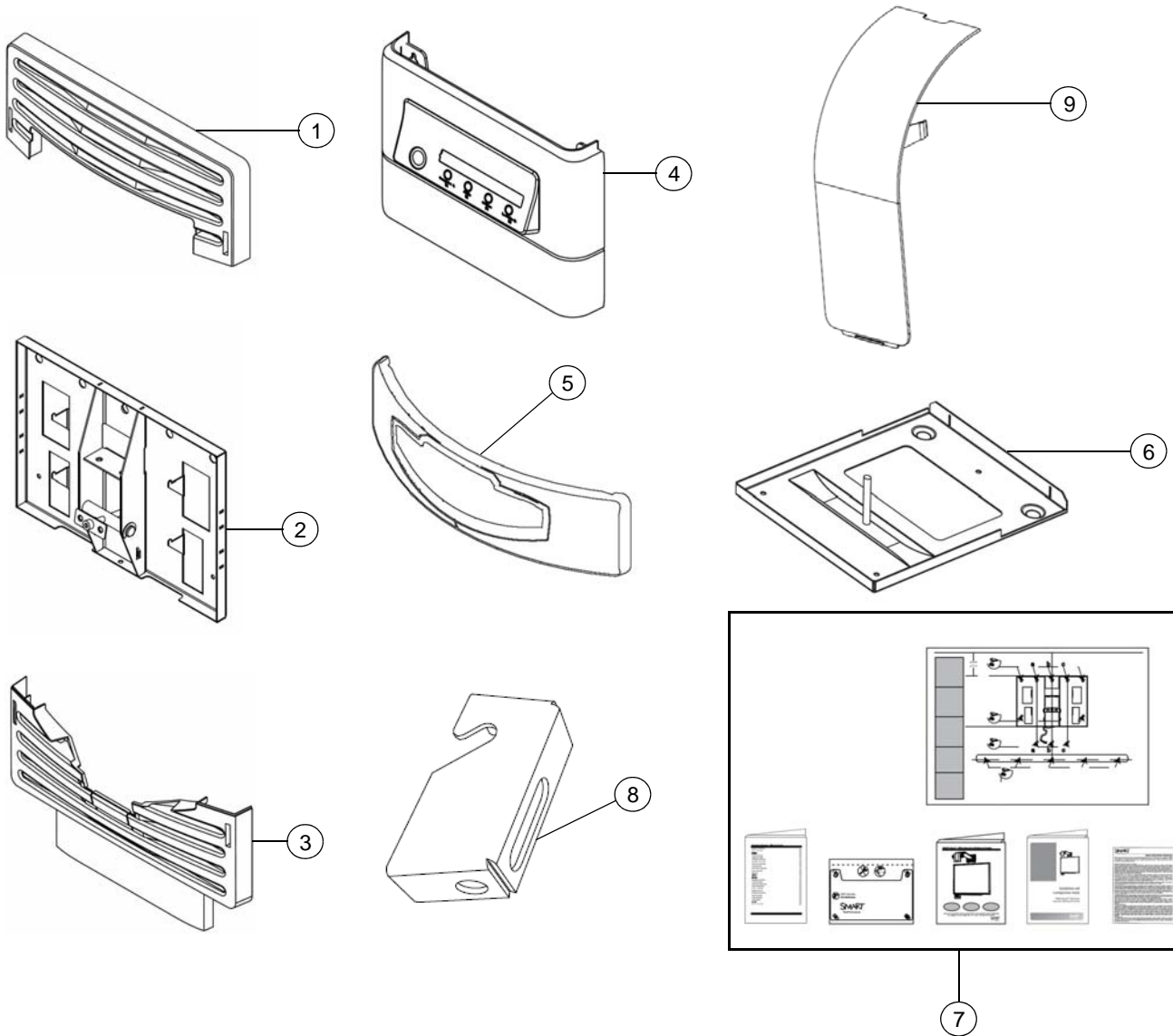
To order any of the parts in these service parts diagrams, contact your local reseller. To find a reseller near you, visit [www.smarttech.com/where](http://www.smarttech.com/where).

### Dealers and Distributors

For specific technical and pricing enquiries in regards to these diagrams please contact our service parts department. Pricing is also available on-line via the SOURCE website ([source.smarttech.com](http://source.smarttech.com)).

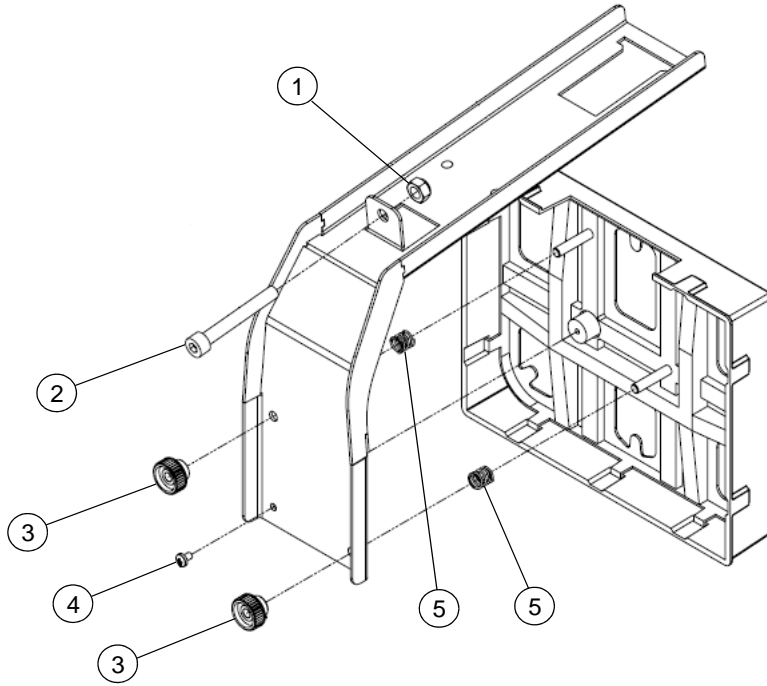
E-mail: [serviceparts@smarttech.com](mailto:serviceparts@smarttech.com)  
Phone: 1.888.42.SMART  
International: +1.403.245.0333

## Unifi 45 Mount and Documentation



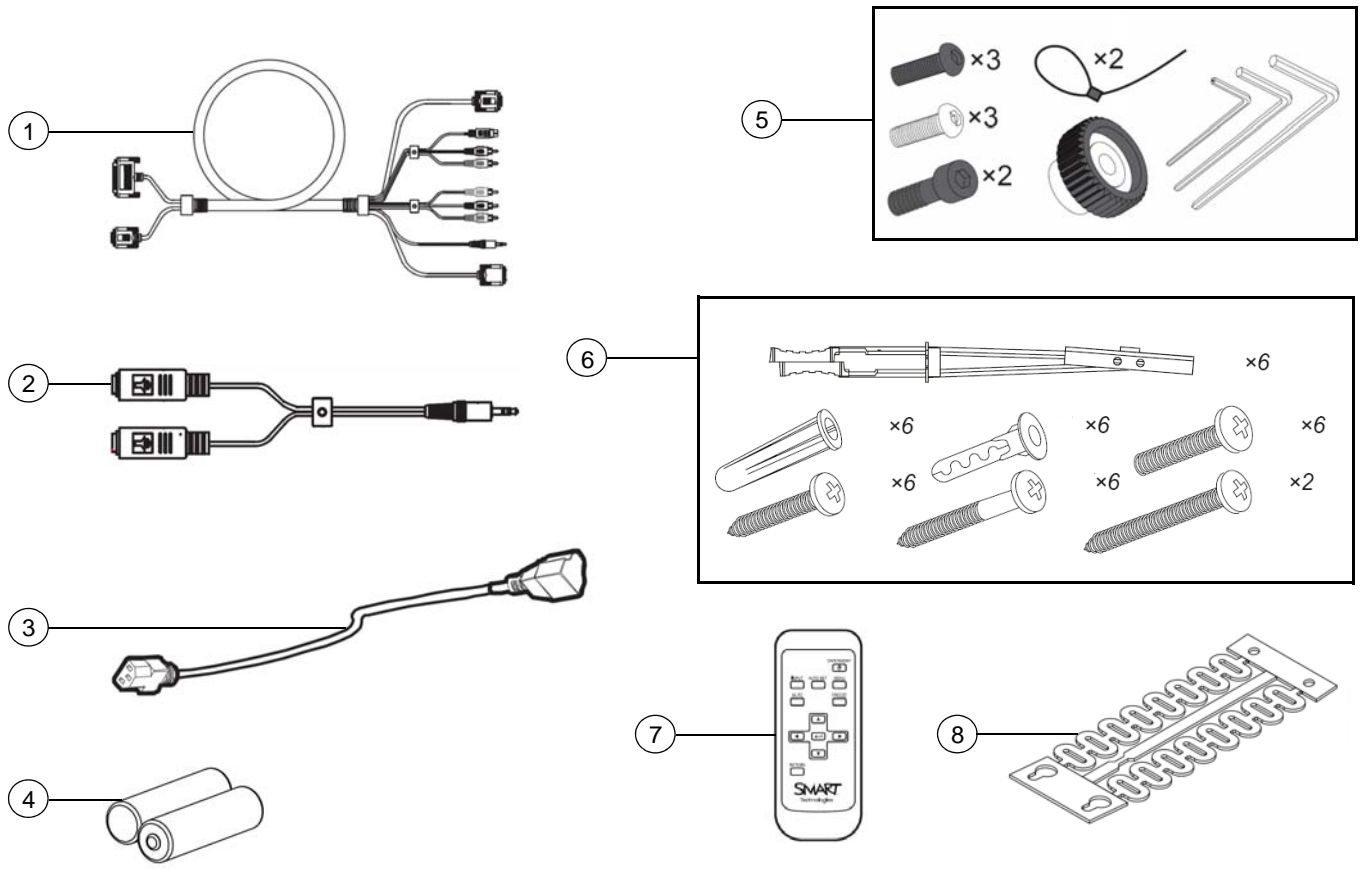
Item	Part No.	Qty	Description
1	52-00472-20	1	Cover, top, wall plate
2	20-00934-20	1	Assembly, wall plate
3	52-00473-20	1	Cover, bottom, wall plate
4	20-00908-21	1	Assembly, extended connection panel (ECP)
5	52-00478-20	1	Cover, boom interface
6	51-00661-21	1	Plate, projector
7	20-00925-22	1	Kit, documentation, for models UF45-680 and UF45-660 <b>NOTE:</b> Includes mounting templates, installation guide and user guide.
8	20-00995-20	1	Kit, projector lock
9	52-00482-20	1	Access door, head, Unifi 45

## Unifi 45 Mirror Assembly (Part No. 20-00906-20)



Item	Part No.	Qty	Description
1	30-01117-20	1	Nut, M8, locking, nylon
2	30-01126-20	1	Screw, M8 x 60 mm, hex, socket head
3	30-01130-20	2	Knob, M6
4	30-00946-20	1	Screw, M4 x 6 mm, Phillips, pan head
5	30-01131-20	2	Spring

# Unifi 45 Connection Cables, Hardware and Projector Accessories



Item	Part No.	Qty	Description
1	93-00628-20	1	Cable, harness, extended connection panel (ECP), 10' (3.1 m)
2	93-00635-20	1	Cable, mixer, 3.5 mm male to dual 3.5 mm female, 7" (17 cm)
3	93-00630-20	1	Cable, power, North America, 14' 9" (4.5 m)
3	93-00632-20	1	Cable, power, United Kingdom, 14' 9" (4.5 m)
3	93-00631-20	1	Cable, power, Europe, 14' 9" (4.5 m)
3	93-00629-20	1	Cable, power, Australia, 14' 9" (4.5 m)
3	93-00633-20	1	Cable, power, China, 14' 9" (4.5 m)
4	01-064	2	Battery, AA
5	20-00904-20	1	Kit, assembly hardware
6	20-00907-21	1	Kit, mounting hardware
7	03-00122-20	1	Remote control
8	51-00662-21	1	Limit strap <b>NOTE:</b> Contact Technical Support to discuss replacement.
Not shown	01-00247	1	Replacement Lamp for Unifi 45 Projector