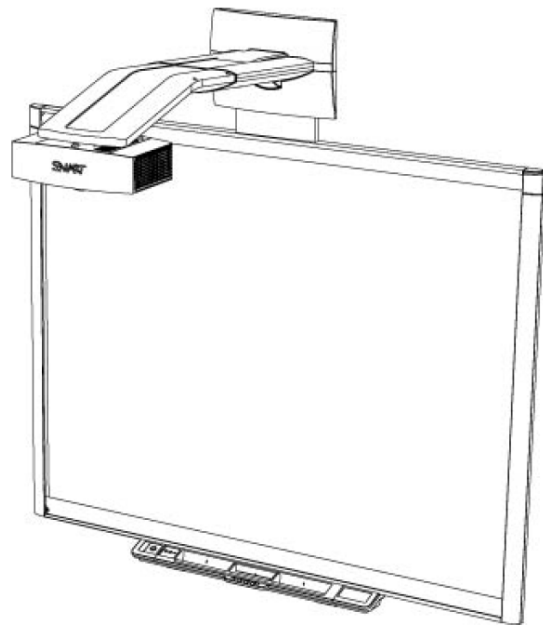


# SMART™



## *Service Parts Diagrams*

**For Model:  
UF65-SB800  
UF65w-SB800**

## Service Parts Diagrams Revision History

### Revision 1 - March, 2011

- New document

### Revision 2 - July, 2011

- Add FRU-UF65-PJR, FRU-UF65w-PJR, FRU-MODULE-ECP-SBX8 and 52-00767-20
- Adjust lamp to a 1000 hour/one year warranty
- Remove 20-01304-21 and 20-01306-21

### Revision 3 - August, 2014

- Add 20-01301-21

### Standard Warranty Terms

The projector and extended control panel (ECP) have a three-year limited equipment warranty. The UF65/UF65w projector lamp has a 1000 hour/one year warranty.

First Customer Ship: December, 2010

---

#### SMART Technologies

3636 Research Road NW

Calgary, AB T2L 1Y1

CANADA

Support +1.403.228.5940 or Toll Free 1.866.518.6791 (Canada/U.S.)

Support Fax +1.403.806.1256

ServiceParts@smarttech.com www.smarttech.com



# Service Parts Diagrams for the UF65-SB800 and UF65w-SB800

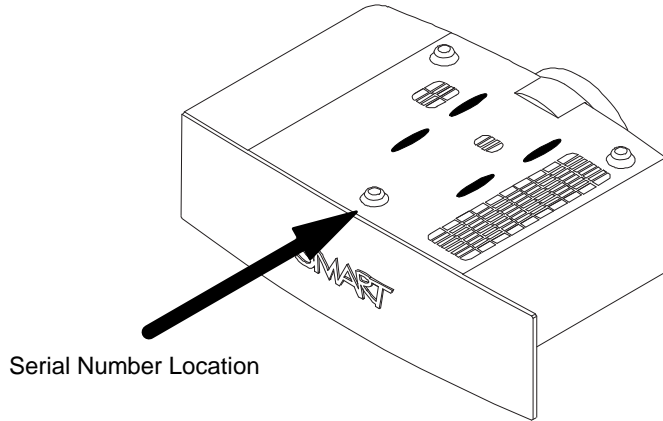
---

- Identifying Your Product Using the Serial Number ..... 1
- Ordering Parts ..... 1
- Assembly, Projector Mount, UF65/UF65w (Part No. 20-01301-21) ..... 2
- UF65/UF65w Projector ..... 4
- FRU, Extended Connection Panel Kit, SBX800i4 (Part No. FRU-ECP-SBX800I4) ..... 5
- Optional SBX8 Series Control Cable (Part No. SBX8-CTRL) ..... 6



## Identifying Your Product Using the Serial Number

To make sure that you have the correct service parts diagrams, you must verify the serial number of your UF65/UF65w Projector. When mounted on the boom the serial number will be visible on the top of the projector. An example of the serial number format is shown below.



**B012CE25E0117**

Unique Serial Number

## Ordering Parts

### Customers

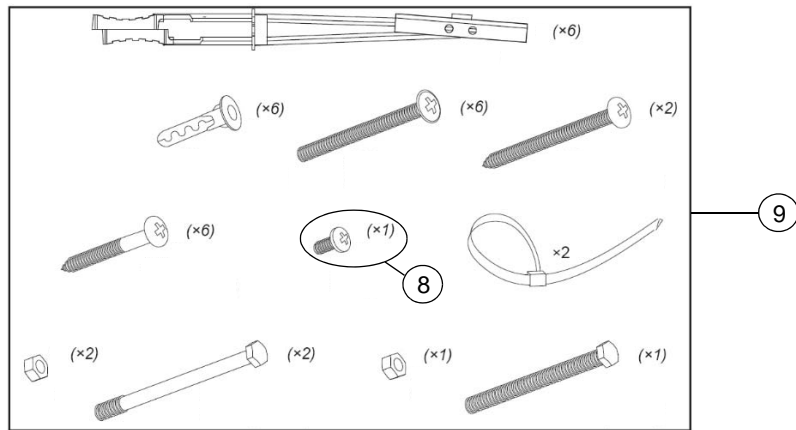
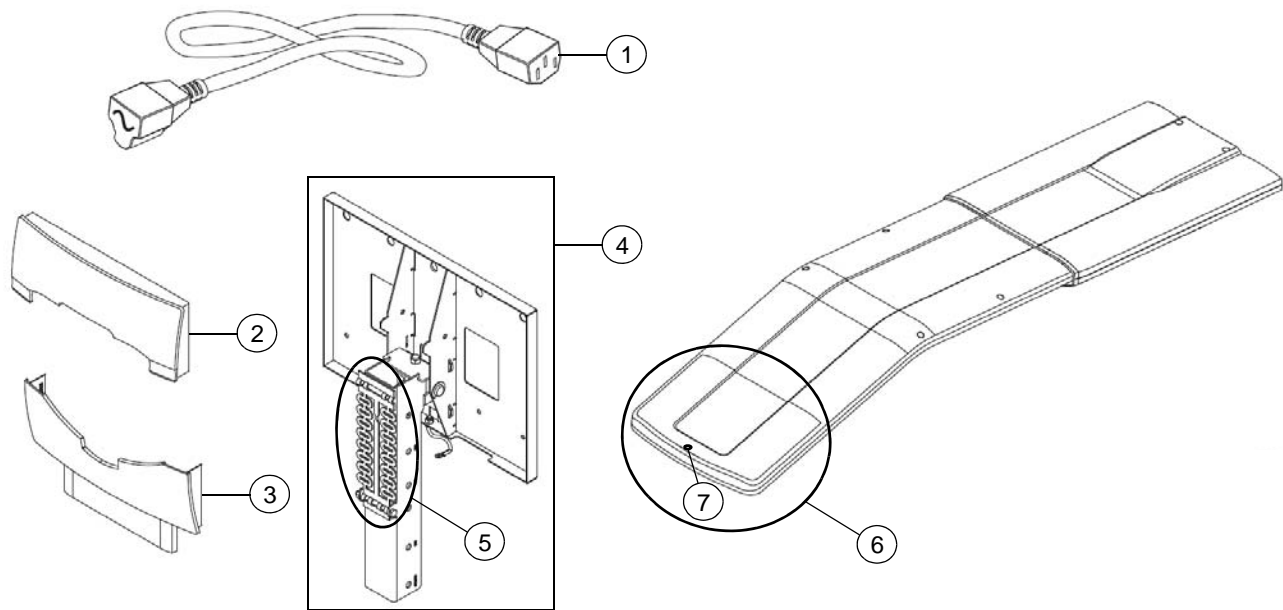
To order any of the parts in these service parts diagrams, contact your local reseller. To find a reseller near you, visit [www.smarttech.com/where](http://www.smarttech.com/where).

### Dealers and Distributors

For specific technical and pricing enquiries in regards to these diagrams please contact our service parts department. Pricing is also available on-line via the SOURCE website ([source.smarttech.com](http://source.smarttech.com)).

E-mail: [serviceparts@smarttech.com](mailto:serviceparts@smarttech.com)  
Phone: 1.888.42.SMART  
International: +1.403.245.0333

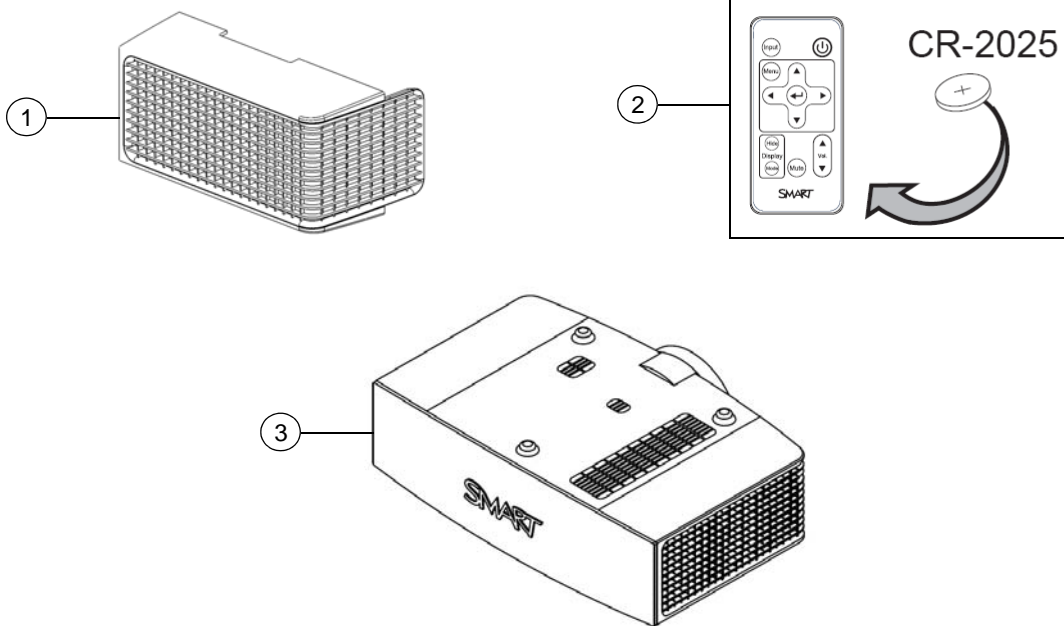
# Assembly, Projector Mount, UF65/UF65w (Part No. 20-01301-21)



Item	Part No.	Qty	Description
1	93-00630-20	1	Cable, power, North America, 14' 9" (4.5 m) <b>NOTE:</b> Not included with part number 20-01301-21.
1	93-00632-20	1	Cable, power, United Kingdom, 14' 9" (4.5 m) <b>NOTE:</b> Not included with part number 20-01301-21.
1	93-00631-20	1	Cable, power, Europe, 14' 9" (4.5 m) <b>NOTE:</b> Not included with part number 20-01301-21.
1	93-00629-20	1	Cable, power, Australia, 14' 9" (4.5 m) <b>NOTE:</b> Not included with part number 20-01301-21.
1	93-00634-20	1	Cable, power, Japan, 14' 9" (4.5 m) <b>NOTE:</b> Not included with part number 20-01301-21.

1	93-00633-20	1	Cable, power, China, 14' 9" (4.5 m) <b>NOTE:</b> Not included with part number 20-01301-21.
1	93-00670-20	1	Cable, power, Korea, 14' 9" (4.5 m) <b>NOTE:</b> Not included with part number 20-01301-21.
2	52-00611-20	1	Base, upper wall
3	52-00612-20	1	Base, lower wall
4	20-01016-23	1	Assembly, boom, rear <b>NOTE:</b> Includes item 5.
5	51-00735-21	1	Strap, limit <b>NOTE:</b> Contact Technical Support to discuss replacement.
6	52-00605-20	1	Access door, projector position adjustment
7	30-01190-20	1	Screw, M4 x 12 mm, Phillips, pan head
8	30-01177-20	1	Screw, M5 x 10 mm, Phillips, pan head <b>NOTE:</b> For attaching the projector to the boom.
9	20-01324-21	1	Kit, mounting hardware, UF65/UF65w <b>NOTE:</b> Includes item 8.

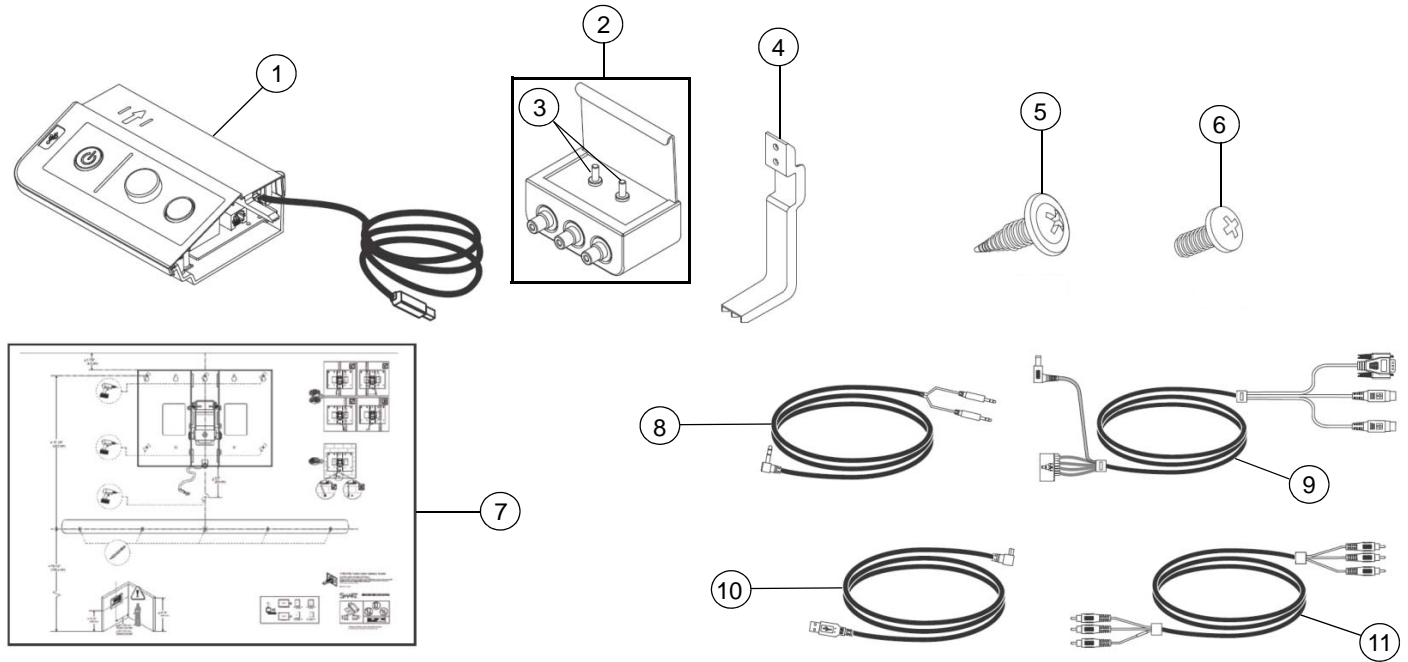
# UF65/UF65w Projector



Item	Part No.	Qty	Description
1	52-00633-20	1	Cover, cable, UF65/UF65w projector <b>NOTE:</b> Comes attached to the UF65/UF65w projector.
2	03-00131-20	1	Remote control <b>NOTE: Battery not included with replacement remotes.</b>
3	FRU-UF65-PJR	1	FRU, UF65 projector only <b>NOTE:</b> Includes projector and items 1, 2.
3	FRU-UF65w-PJR	1	FRU, UF65w projector only <b>NOTE:</b> Includes projector and items 1, 2.
Not shown	52-00767-20	1	Door, lamp cover, UF55, UF65 <b>NOTE:</b> Comes attached to the UF65/UF65w projector.
Not shown	20-01032-20	1	Replacement Lamp for UF65 and UF65w Projectors



# FRU, Extended Connection Panel Kit, SBX800i4 (Part No. FRU-ECP-SBX800I4)



Item	Part No.	Qty	Description
1	FRU-MODULE-ECP-SBX8	1	FRU, extended control panel pen tray module, SBX8
2	20-01355-20	1	Assembly, master control panel (MCP), RCA connector pod <b>NOTE:</b> Includes two pieces of item 3.
3	30-01284-20	2	Screw, M4 x 16 mm, pelatized, hex, button head
4	52-00731-20	1	Bracket, support, master control panel (MCP)
5	30-00934	2	Screw, No. 8 x 5/16", trim, Phillips, wafer head
6	30-01343-20	2	Screw, No. 4 x 3/8", Phillips, pan head, for plastics
7	99-01071-21	1	Template, mounting, UF65/UF65w
8	93-00811-20	1	Cable, audio, right angle 3.5 mm male to dual 3.5 mm male, 10'6" (3.2 m)
9	93-00809-20	1	Cable, harness, master control panel (MCP), 12'2" (3.7 m)
10	93-00807-20	1	Cable, right angle USB Min-B to USB A, 16'5" (5.0 m)
11	93-00817-20	1	Cable, triple RCA to triple RCA, 12'2" (3.7 m)

**Optional SBX8 Series Control Cable (Part No. SBX8-CTRL)**

