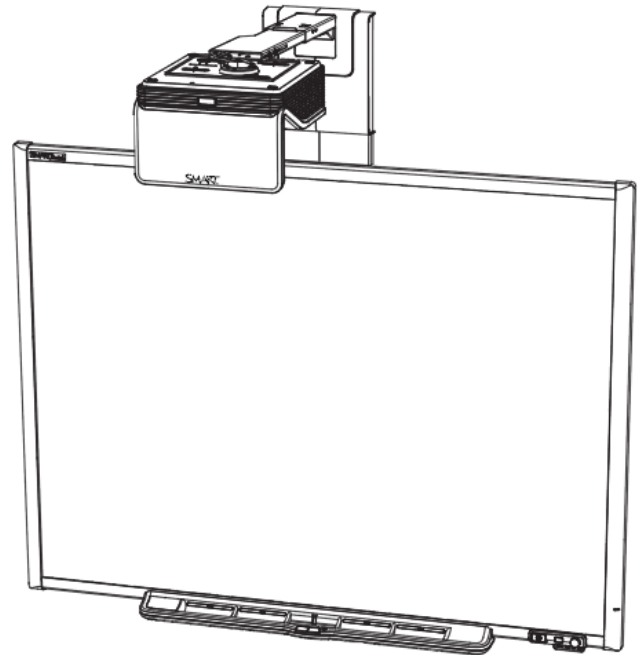


SMART[®]



Service Parts Diagrams

**For Model:
UF70-SB600
UF70w-SB600**

Service Parts Diagrams Revision History

Revision 1 - August, 2013

- New document

Revision 2 - November, 2013

- Change 20-01623-20 to 1013576

Revision 3 - October, 2014

- Change projector and ECP warranty from two years to three years

Standard Warranty Terms

The projector and extended control panel (ECP) have a three-year limited equipment warranty. The UF70/UF70w projector lamp has a 1000-hour/one-year warranty.

First Customer Ship: September, 2013

SMART Technologies

3636 Research Road NW

Calgary, AB T2L 1Y1

CANADA

Support +1.403.228.5940 or Toll Free 1.866.518.6791 (Canada/U.S.)

Support Fax +1.403.806.1256

www.smarttech.com/contactserviceparts www.smarttech.com

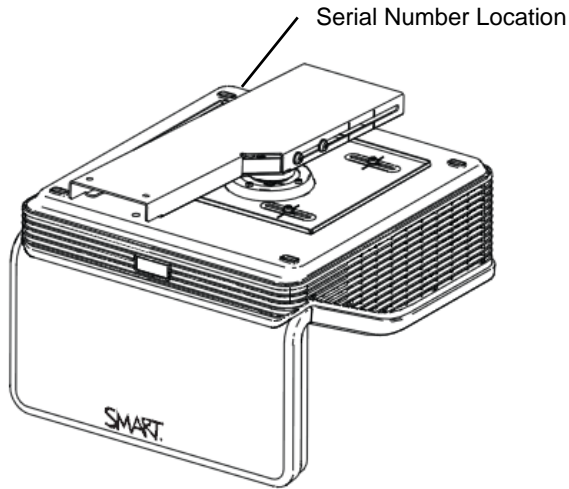


Service Parts Diagrams for the UF70-SB600 and UF70w-SB600

- Identifying Your Product Using the Serial Number 1
- Ordering Parts 1
- UF70/UF70w Parts 2
- Optional Projector Mounting Hardware Kit Assembly (Part No. 1013576) 4
- Assembly, SB600 Extended Control Panel, UF70 and UF70w Projectors
(Part No. 1020924) 5

Identifying Your Product Using the Serial Number

To make sure that you have the correct service parts diagrams, you must verify the serial number of your UF70/UF70w Projector. The serial number is located on the back of the projector. An example of the serial number format is shown below.



B011FF05Q0108

Unique Serial Number

Ordering Parts

Customers

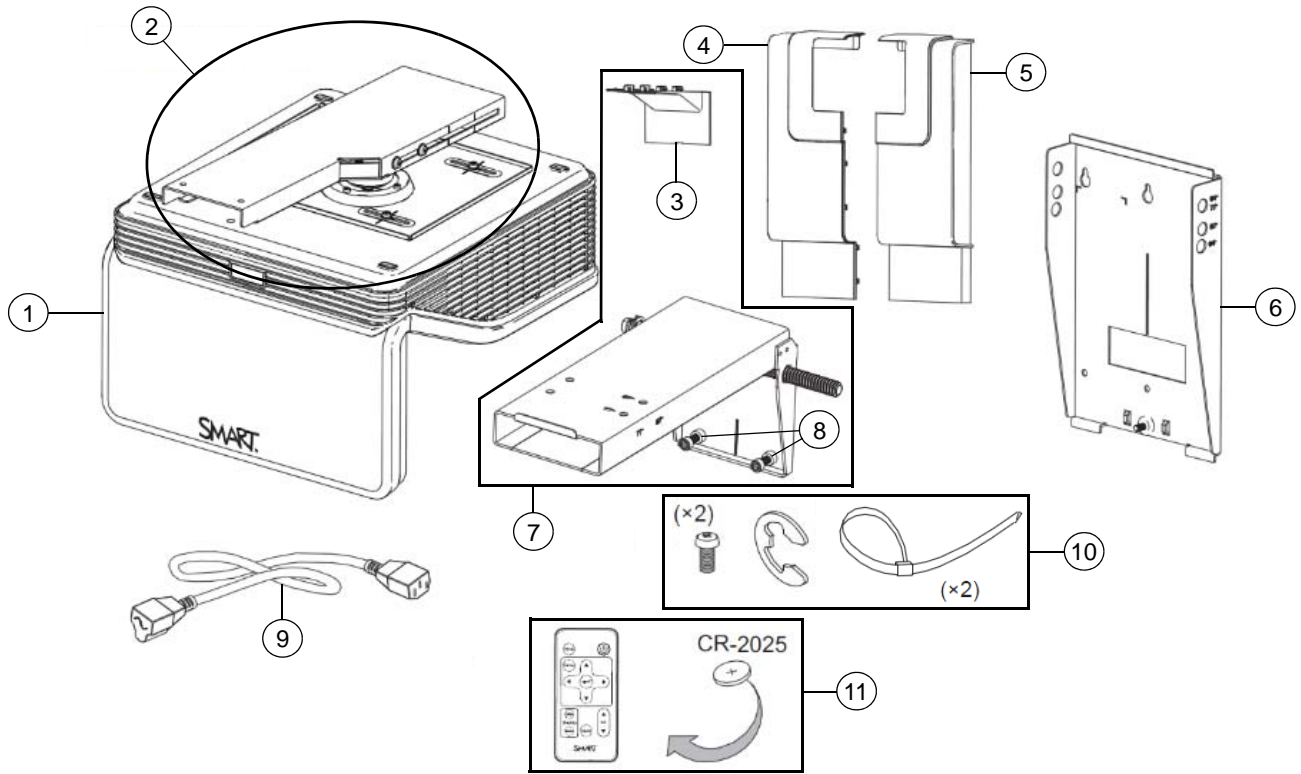
To order any of the parts in these service parts diagrams, contact your local reseller. To find a reseller near you, visit www.smarttech.com/where.

Dealers and Distributors

For specific technical and pricing enquiries in regards to these diagrams please contact our service parts department. Pricing is also available on-line via the SOURCE website (source.smarttech.com).

Web Form: www.smarttech.com/contactserviceparts
Phone: 1.888.42.SMART
International: +1.403.245.0333

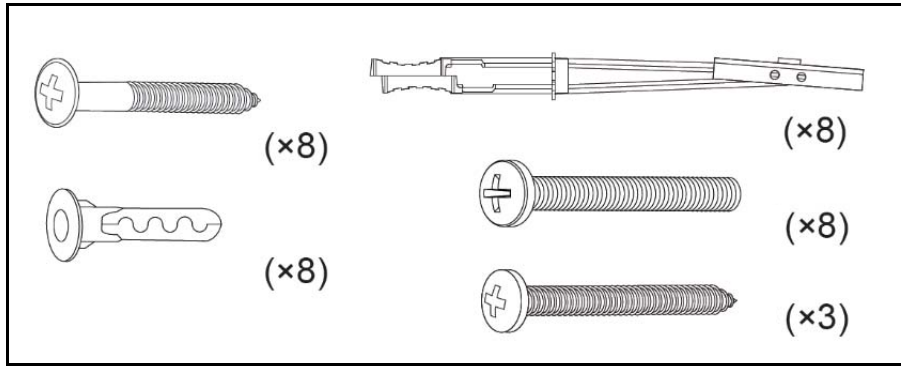
UF70/UF70w Parts



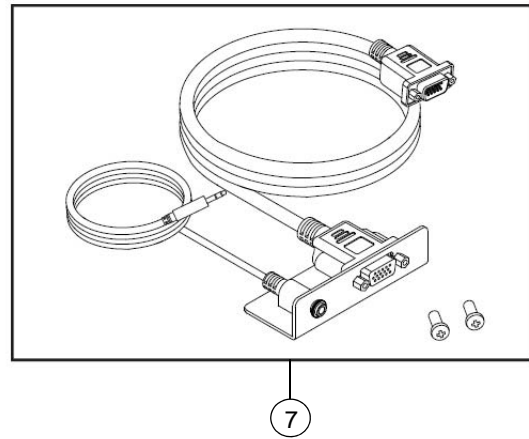
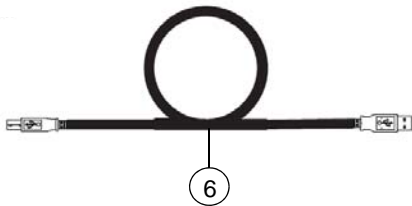
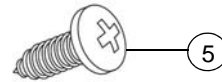
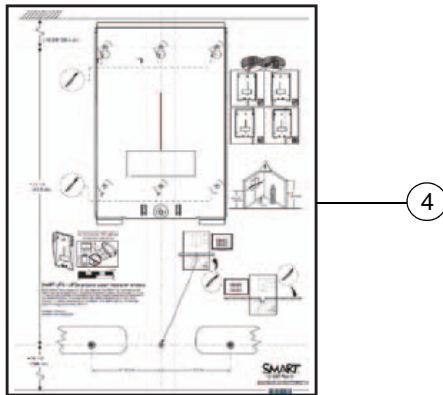
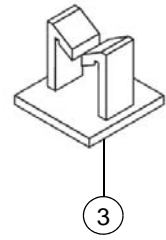
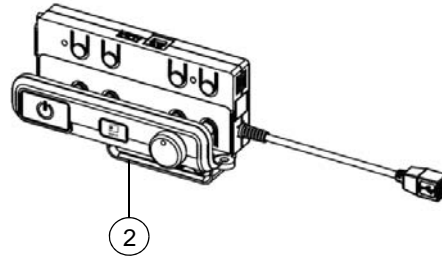
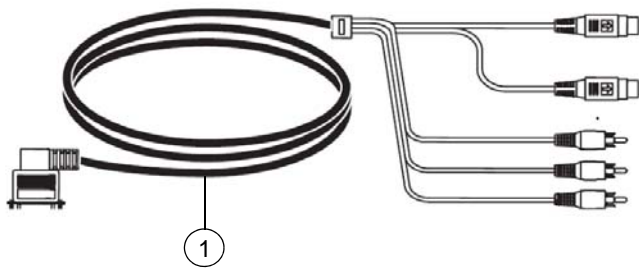
Item	Part No.	Qty	Description
1	FRU-UF70-PJR	1	FRU, UF70 projector only NOTE: Includes projector and item 2.
1	FRU-UF70w-PJR	1	FRU, UF70w projector only NOTE: Includes projector and item 2.
2	1019482	1	Assembly, projector boom, front, UF70/UF70w NOTE: Comes attached to the UF70/UF70w projector.
3	1016967	1	Cover, wire, UF70/UF70w
4	1019759	1	Cover, wall mount, left, UF70/UF70w
5	1019760	1	Cover, wall mount, right, UF70/UF70w
6	1019762	1	Plate, wall, UF70/UF70w
7	1019471	1	Assembly, projector boom, rear, UF70/UF70w, with cable cover NOTE: Includes items 3, 7 and 8.
8	30-01401-20	2	Screw, M6 x 35 mm, hex socket, cap head
9	93-00630-20	1	Cable, power, North America, 14' 9" (4.5 m)
9	93-00632-20	1	Cable, power, United Kingdom, 14' 9" (4.5 m)
9	93-00631-20	1	Cable, power, Europe, 14' 9" (4.5 m)
9	93-00629-20	1	Cable, power, Australia, 14' 9" (4.5 m)
9	93-00634-20	1	Cable, power, Japan, 14' 9" (4.5 m)
9	93-00633-20	1	Cable, power, China, 14' 9" (4.5 m)
9	93-00670-20	1	Cable, power, Korea, 14' 9" (4.5 m)
9	1018969	1	Cable, power, Singapore, 14' 9" (4.5 m)

9	1018970	1	Cable, power, India, 14' 9" (4.5 m)
9	1018971	1	Cable, power, Saudi Arabia, 14' 9" (4.5 m)
9	1018972	1	Cable, power, Brazil, 14' 9" (4.5 m)
10	1019761	1	Assembly, hardware kit, UF70/UF70w
11	03-00131-20	1	Remote control NOTE: Battery not included with replacement remotes.
Not shown	1020766	1	Door, lamp cover, UF70/UF70w NOTE: Comes attached to the UF70/UF70w projector.
Not shown	1020991	1	Replacement Lamp for UF70 and UF70w Projectors
Not shown	1021005	1	Assembly, hardware kit, front boom, UF70/UF70w NOTE: Used to attach item 2 to the projector.

Optional Projector Mounting Hardware Kit Assembly (Part No. 1013576)



Assembly, SB600 Extended Control Panel, UF70 and UF70w Projectors (Part No. 1020924)



Item	Part No.	Qty	Description
1	93-00824-20	1	Cable, harness, extended connection panel (ECP), UF70/UF70w, 9' (2.75 m)
2	20-01169-20	1	Assembly, extended connection panel (ECP)
3	30-01281-20	2	Clip, saddle "U", wire management
4	1019857	1	Template, mounting, UF70/UF70w
5	30-01199-20	2	Screw, No. 8 x 1/2", Phillips, pan head NOTE: For attaching the ECP to the SMART Board.
6	93-00143-20	1	Cable, USB, A-B, 6' (1.8 m)
7	20-01495-20	1	Assembly, video connector kit for SB6 series