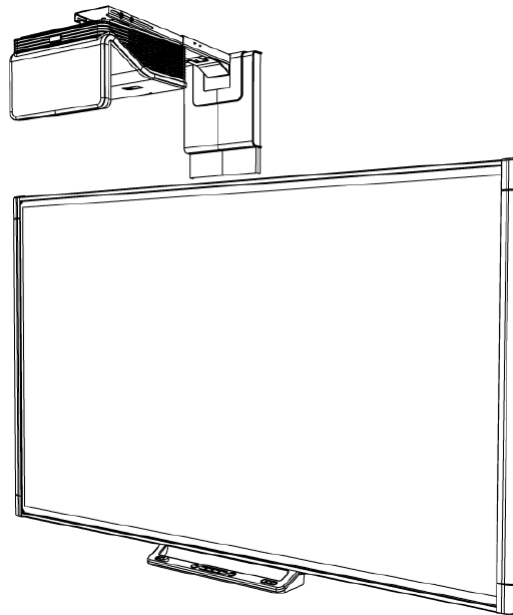




SMART[®]



Service Parts Diagrams

**For Model:
UF70-SBM600
UF70w-SBM600**

Service Parts Diagrams Revision History

Revision 1 - October, 2013

- New document

Revision 2 - November, 2013

- Change 20-01623-20 to 1013576
- Add 1022201

Revision 3 - January, 2014

- Change 52-00745-20 to 1009826

Revision 4 - October, 2014

- Change projector warranty from two years to three years

Standard Warranty Terms

Base Product: The projector has a three-year limited equipment warranty. The UF70/UF70w projector lamp has a 1000-hour/one-year warranty.

First Customer Ship: November, 2013

SMART Technologies

3636 Research Road NW

Calgary, AB T2L 1Y1

CANADA

Support +1.403.228.5940 or Toll Free 1.866.518.6791 (Canada/U.S.)

Support Fax +1.403.806.1256

www.smarttech.com/contactserviceparts www.smarttech.com

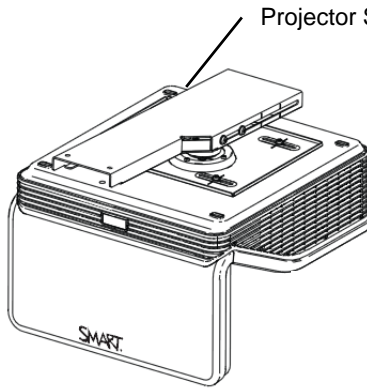
The SMART logo consists of the word "SMART" in a bold, stylized, sans-serif font. The letters are black with a white outline, and a registered trademark symbol (®) is located at the bottom right of the letter "T".

Service Parts Diagrams for the UF70-SBM600 and UF70w-SBM600

- Identifying Your Product Using the Serial Number 1
- Ordering Parts 1
- Accessory Kit Parts 2
- UF70/UF70w Parts 3
- Optional Projector Mounting Hardware Kit Assembly (Part No. 1013576) 5

Identifying Your Product Using the Serial Number

To make sure that you have the correct service parts diagrams, you must verify the serial number of your UF70-SBM600 or UF70w-SBM600. When mounted, the projector serial number will be visible on the back of the projector. An example of the serial number format is shown below.



Projector Serial Number Location

Unique Serial Number

B011FF05Q0108

Ordering Parts

Customers

To order any of the parts in these service parts diagrams, contact your local reseller.
To find a reseller near you, visit www.smarttech.com/where.

Dealers and Distributors

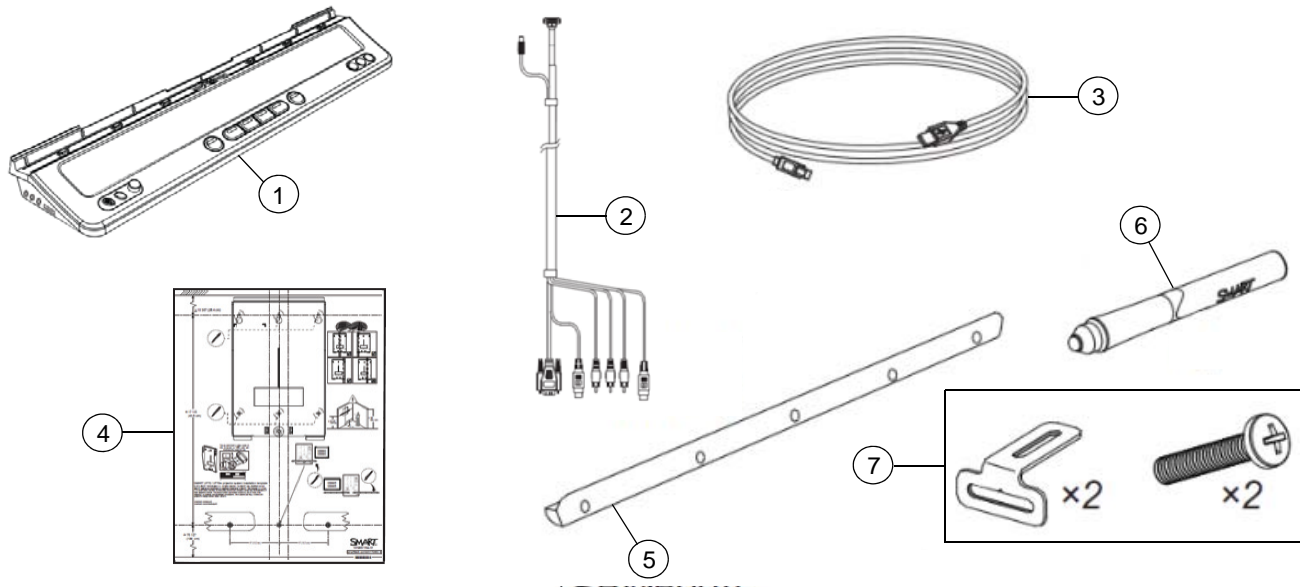
For specific technical and pricing enquiries in regards to these diagrams please contact our service parts department.
Pricing is also available on-line via the SOURCE website (source.smarttech.com).

Web Form: www.smarttech.com/contactserviceparts

Phone: 1.888.42.SMART

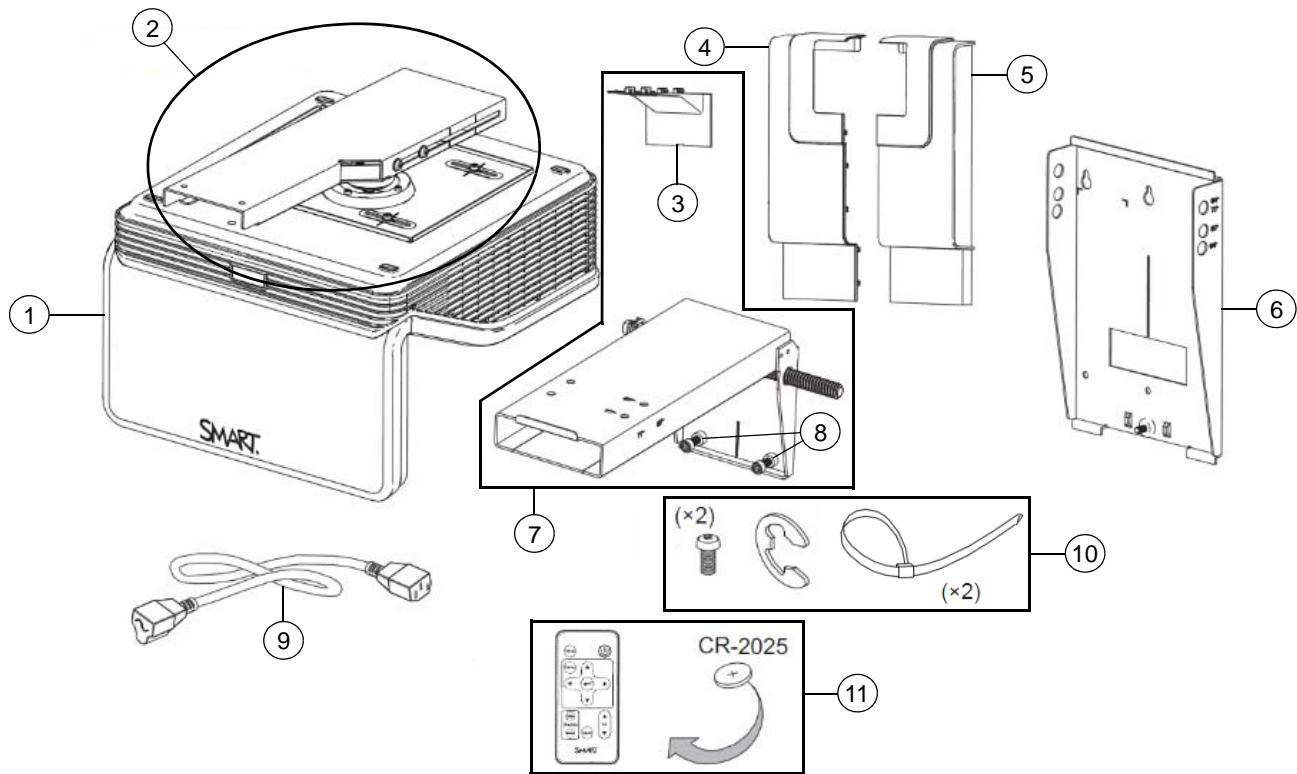
International: +1.403.245.0333

Accessory Kit Parts



Item	Part No.	Qty	Description
1	FRU-PT-SBM600i	1	FRU, Pen Tray, SBM600i (with SMART projector controls) NOTE: Does not include the controller as it is attached to the back of the board.
2	1019332	1	Cable, pen tray to projector, SBM6, 12' (3.65 m)
3	93-00828-20	1	Cable, USB, A-B, 16' (5.0 m), SBX8
4	1022201	1	Template, mounting, UF70-UF70w with SBM600
5	1009826	2	Bracket, wall mount, blue, SBX8/SBM6
6	RPEN-SBM6	1	Replacement Pens for SMART Board SBM600 Series - Set of Two
7	1020535	1	Assembly, SBM6 pen ledge / tray mounting hardware

UF70/UF70w Parts



Item	Part No.	Qty	Description
1	FRU-UF70-PJR	1	FRU, UF70 projector only NOTE: Includes projector and item 2.
1	FRU-UF70w-PJR	1	FRU, UF70w projector only NOTE: Includes projector and item 2.
2	1019482	1	Assembly, projector boom, front, UF70/UF70w NOTE: Comes attached to the UF70/UF70w projector.
3	1016967	1	Cover, wire, UF70/UF70w
4	1019759	1	Cover, wall mount, left, UF70/UF70w
5	1019760	1	Cover, wall mount, right, UF70/UF70w
6	1019762	1	Plate, wall, UF70/UF70w
7	1019471	1	Assembly, projector boom, rear, UF70/UF70w, with cable cover NOTE: Includes items 3, 7 and 8.
8	30-01401-20	2	Screw, M6 x 35 mm, hex socket, cap head
9	93-00630-20	1	Cable, power, North America, 14' 9" (4.5 m)
9	93-00632-20	1	Cable, power, United Kingdom, 14' 9" (4.5 m)
9	93-00631-20	1	Cable, power, Europe, 14' 9" (4.5 m)
9	93-00629-20	1	Cable, power, Australia, 14' 9" (4.5 m)
9	93-00634-20	1	Cable, power, Japan, 14' 9" (4.5 m)
9	93-00633-20	1	Cable, power, China, 14' 9" (4.5 m)
9	93-00670-20	1	Cable, power, Korea, 14' 9" (4.5 m)

9	1018969	1	Cable, power, Singapore, 14' 9" (4.5 m)
9	1018970	1	Cable, power, India, 14' 9" (4.5 m)
9	1018971	1	Cable, power, Saudi Arabia, 14' 9" (4.5 m)
9	1018972	1	Cable, power, Brazil, 14' 9" (4.5 m)
10	1019761	1	Assembly, hardware kit, UF70/UF70w
11	03-00131-20	1	Remote control NOTE: Battery not included with replacement remotes.
Not shown	1020766	1	Door, lamp cover, UF70/UF70w NOTE: Comes attached to the UF70/UF70w projector.
Not shown	1020991	1	Replacement Lamp for UF70 and UF70w Projectors
Not shown	1021005	1	Assembly, hardware kit, front boom, UF70/UF70w NOTE: Used to attach item 2 to the projector.

Optional Projector Mounting Hardware Kit Assembly (Part No. 1013576)

