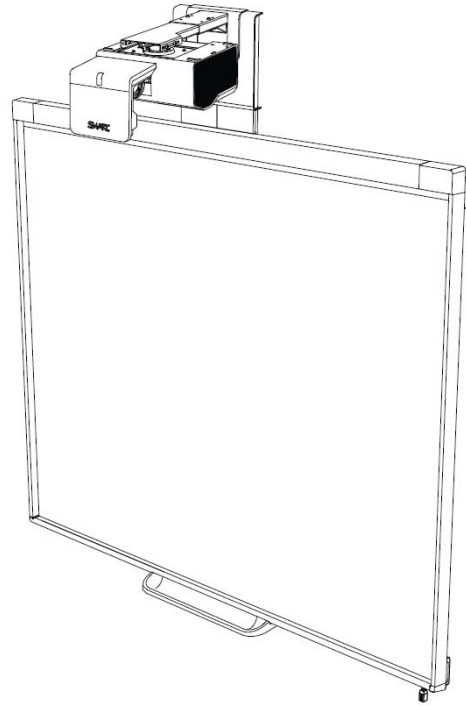


SMART[®]



Service Parts Diagrams

**For Model:
UF75-SB400**

Service Parts Diagrams Revision History

Revision 1 - May, 2011

- New document

Revision 2 - July, 2011

- Add FRU-UF75-PJR, FRU-UF75w-PJR and 20-01557-20
- Adjust lamp to a 1000 hour/one year warranty

Revision 3 - August, 2013

- Add 1017286 and 1018052
- Remove 20-01392-20

Revision 4 - January, 2015

- Change 20-01393-20 to 1018068

Standard Warranty Terms

The projector and extended control panel (ECP) have a three-year limited equipment warranty. The UF75/UF75w projector lamp has a 1000 hour/one year warranty.

First Customer Ship: May, 2011

SMART Technologies

3636 Research Road NW
Calgary, AB T2L 1Y1
CANADA

Support +1.403.228.5940 or Toll Free 1.866.518.6791 (Canada/U.S.)

Support Fax +1.403.806.1256

www.smarttech.com/contactserviceparts www.smarttech.com

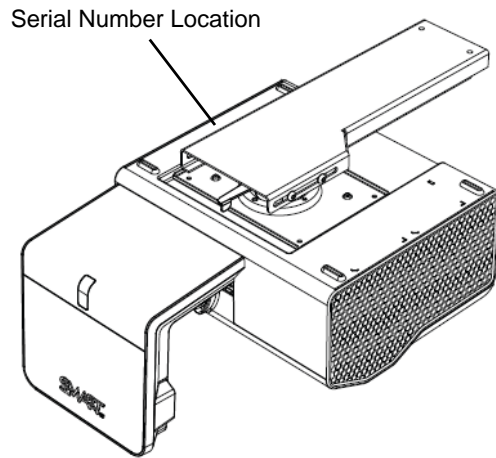


Service Parts Diagrams for the UF75-SB400

Identifying Your Product Using the Serial Number 1
Ordering Parts 1
UF75/UF75w Parts 2
Assembly, Documentation Kit, SB480i5 (Part No. 20-01560-20) 4

Identifying Your Product Using the Serial Number

To make sure that you have the correct service parts diagrams, you must verify the serial number of your UF75/UF75w Projector. The serial number is located on the top of the projector. An example of the serial number format is shown below.



B012DA22H0105

Unique Serial Number

Ordering Parts

Customers

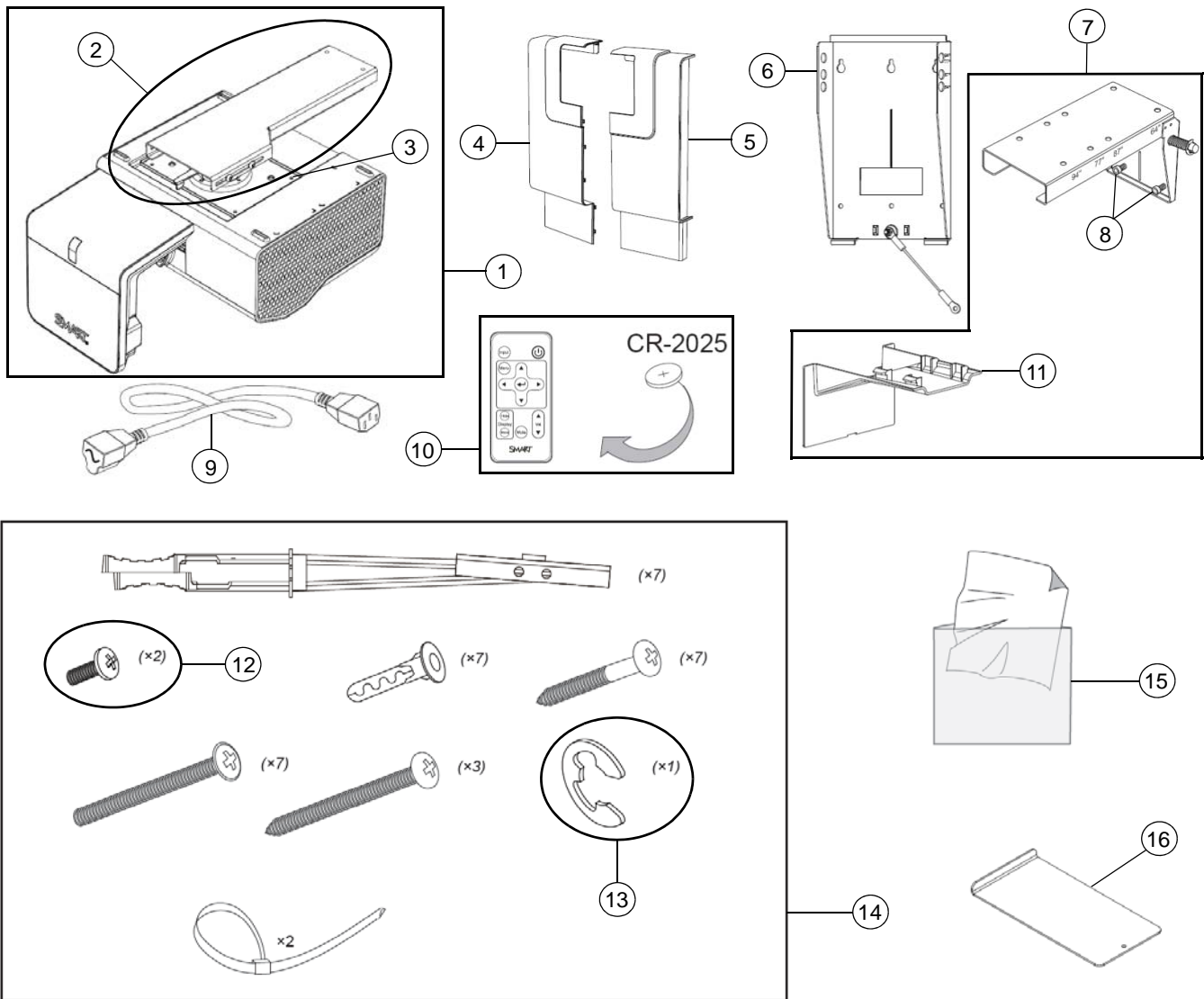
To order any of the parts in these service parts diagrams, contact your local reseller. To find a reseller near you, visit www.smarttech.com/where.

Dealers and Distributors

For specific technical and pricing enquiries in regards to these diagrams please contact our service parts department. Pricing is also available on-line via the SOURCE website (source.smarttech.com).

Web Form: www.smarttech.com/contactserviceparts
Phone: 1.888.42.SMART
International: +1.403.245.0333

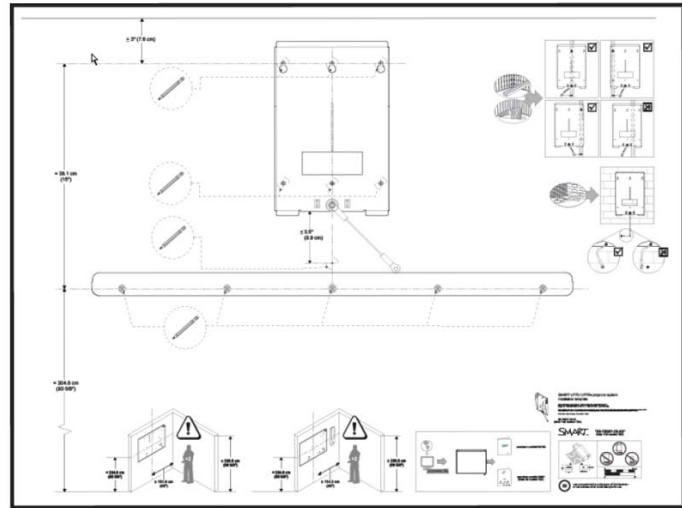
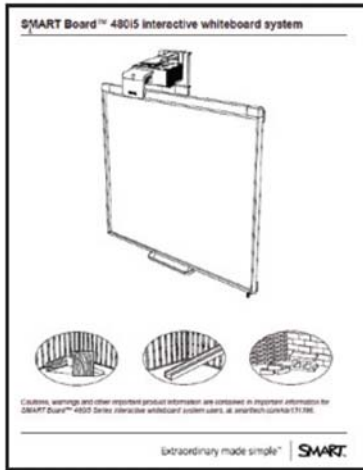
UF75/UF75w Parts



Item	Part No.	Qty	Description
1	FRU-UF75-PJR	1	FRU, UF75 projector only NOTE: Includes projector and items 2, 3.
1	FRU-UF75w-PJR	1	FRU, UF75w projector only NOTE: Includes projector and items 2, 3.
2	1018068	1	Assembly, boom, front, UF75/UF75w NOTE: Comes attached to the UF75/UF75w projector.
3	30-01279-20	4	Screw, M4 x 8 mm, Phillips, pan head NOTE: For attaching item 2 to UF75/UF75w projector.
4	52-00752-20	1	Cover, wall mount, left, UF75/UF75w
5	52-00751-20	1	Cover, wall mount, right, UF75/UF75w
6	1018052	1	Assembly, wall plate, UF75/UF75w
7	1017286	1	Assembly, boom, rear, UF75/UF75w NOTE: Includes items 7, 8 and 11.

8	30-01401-20	2	Screw, M6 x 35 mm, hex socket, cap head
9	93-00630-20	1	Cable, power, North America, 14' 9" (4.5 m)
9	93-00632-20	1	Cable, power, United Kingdom, 14' 9" (4.5 m)
9	93-00631-20	1	Cable, power, Europe, 14' 9" (4.5 m)
9	93-00629-20	1	Cable, power, Australia, 14' 9" (4.5 m)
9	93-00634-20	1	Cable, power, Japan, 14' 9" (4.5 m)
9	93-00633-20	1	Cable, power, China, 14' 9" (4.5 m)
9	93-00670-20	1	Cable, power, Korea, 14' 9" (4.5 m)
10	03-00131-20	1	Remote control NOTE: Battery not included with replacement remotes.
11	52-00762-20	1	Cover, wire, UF75/UF75w
12	30-01402-20	2	Screw, M6 x 12 mm, Phillips, button head NOTE: For attaching UF75/UF75w projector to rear boom assembly.
13	30-01379-20	1	E-clip, 1/2"
14	20-01395-20	1	Assembly, mounting hardware kit, UF75/UF75w
15	01-00273-20	1	Cloth, cleaning
16	20-01557-20	1	Assembly, spacer, boom mount, UF75/UF75w
Not shown	52-00765-20	1	Door, lamp cover, UF75/UF75w NOTE: Comes attached to the UF75/UF75w projector.
Not shown	20-01501-20	1	Replacement Lamp for UF75 and UF75w Projectors

Assembly, Documentation Kit, SB480i5 (Part No. 20-01560-20)



NOTE: Components not available separately.