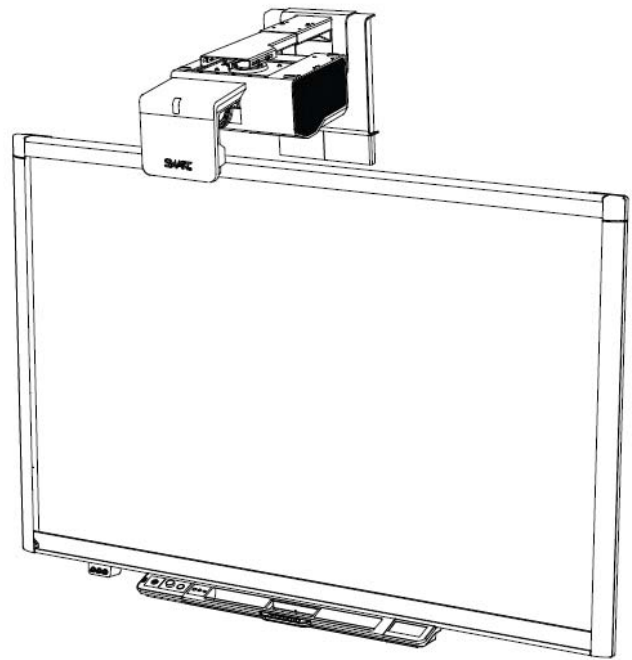


# SMART<sup>®</sup>



## *Service Parts Diagrams*

**For Model:  
UF75-SB800  
UF75w-SB800**

## Service Parts Diagrams Revision History

### Revision 1 - May, 2011

- New document

### Revision 2 - July, 2011

- Add FRU-UF75-PJR, FRU-UF75w-PJR, 20-01557-20 and FRU-MODULE-ECP-SBX8
- Adjust lamp to a 1000 hour/one year warranty

### Revision 3 - October, 2011

- Change 93-00815-20 to 93-00815-21

### Revision 4 - March, 2012

- Add SBX8-CTRL

### Revision 5 - August, 2013

- Add 1017286 and 1018052
- Remove 20-01392-20

## Standard Warranty Terms

The projector and extended control panel (ECP) have a three-year limited equipment warranty. The UF75/UF75w projector lamp has a 1000 hour/one year warranty.

First Customer Ship: May, 2011

---

#### SMART Technologies

3636 Research Road NW  
Calgary, AB T2L 1Y1  
CANADA

Support +1.403.228.5940 or Toll Free 1.866.518.6791 (Canada/U.S.)

Support Fax +1.403.806.1256

[www.smarttech.com/contactserviceparts](http://www.smarttech.com/contactserviceparts) [www.smarttech.com](http://www.smarttech.com)



# Service Parts Diagrams for the UF75-SB800 and UF75w-SB800

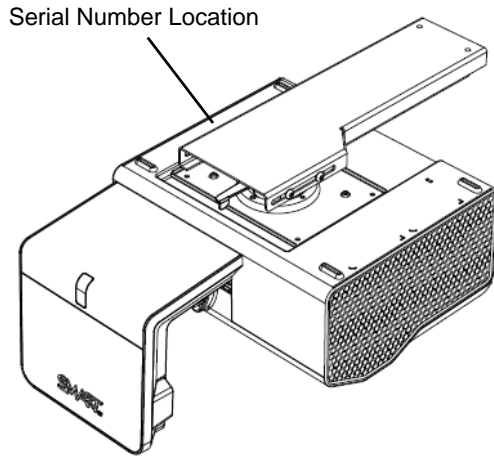
---

- Identifying Your Product Using the Serial Number ..... 1
- Ordering Parts ..... 1
- UF75/UF75w Parts ..... 2
- Assembly, SB800-i5 Extended Control Panel (Part No. 20-01466-21) ..... 4
- Optional SBX8 Series Control Cable (Part No. SBX8-CTRL) ..... 5



## Identifying Your Product Using the Serial Number

To make sure that you have the correct service parts diagrams, you must verify the serial number of your UF75/UF75w Projector. The serial number is located on the top of the projector. An example of the serial number format is shown below.



**B012DA22H0105**

Unique Serial Number

## Ordering Parts

### Customers

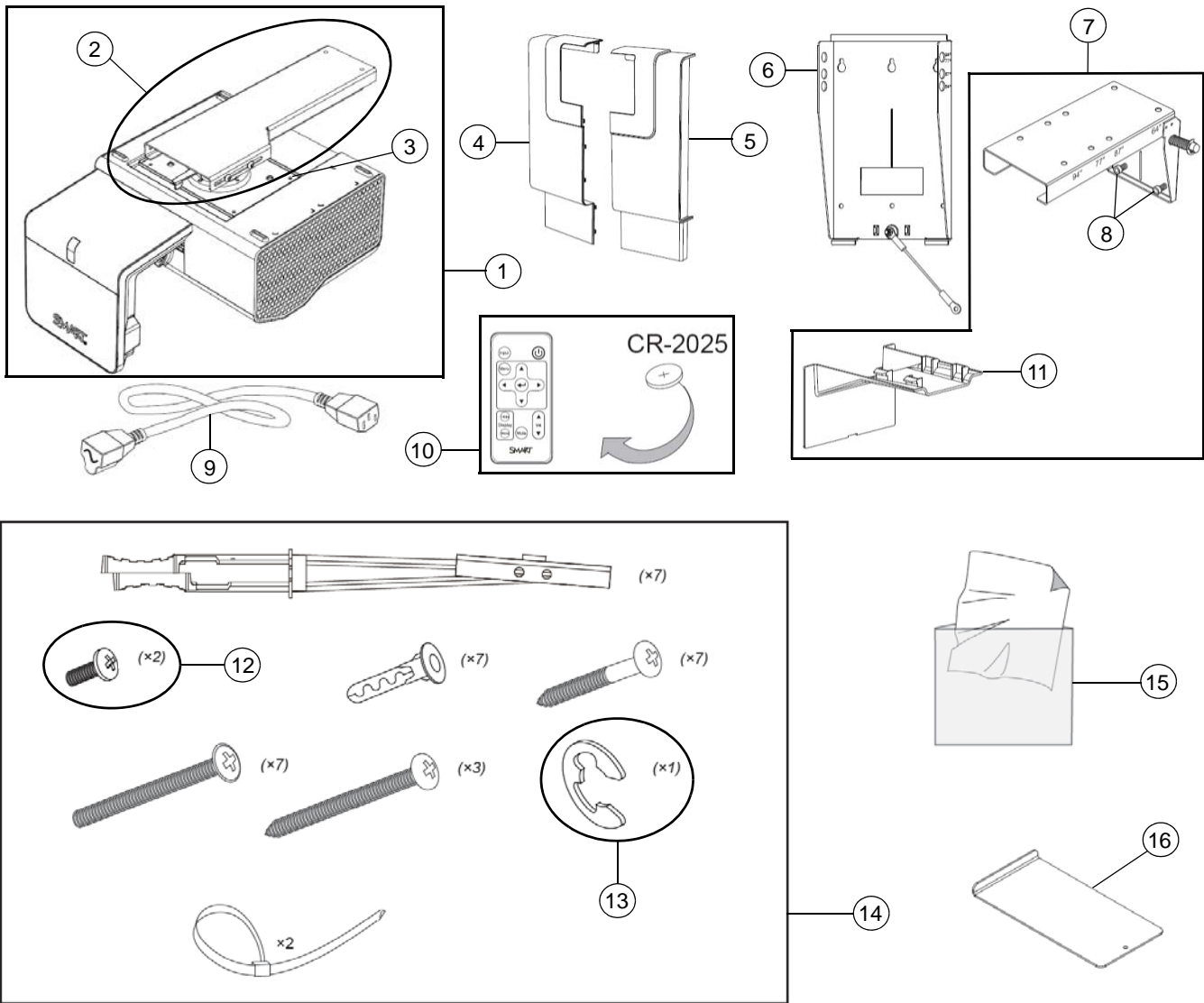
To order any of the parts in these service parts diagrams, contact your local reseller. To find a reseller near you, visit [www.smarttech.com/where](http://www.smarttech.com/where).

### Dealers and Distributors

For specific technical and pricing enquiries in regards to these diagrams please contact our service parts department. Pricing is also available on-line via the SOURCE website ([source.smarttech.com](http://source.smarttech.com)).

Web Form: [www.smarttech.com/contactserviceparts](http://www.smarttech.com/contactserviceparts)  
Phone: 1.888.42.SMART  
International: +1.403.245.0333

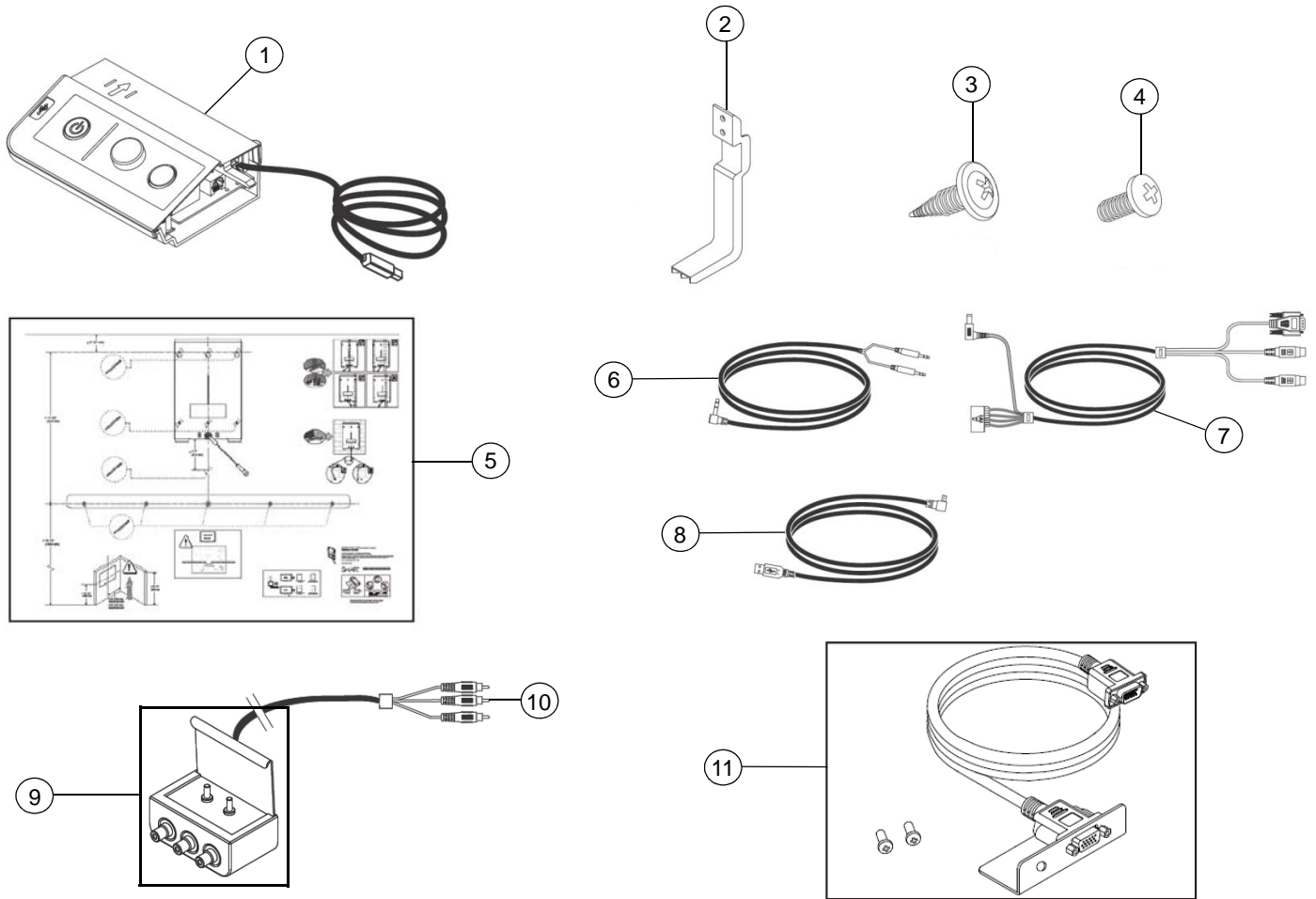
# UF75/UF75w Parts



Item	Part No.	Qty	Description
1	FRU-UF75-PJR	1	FRU, UF75 projector only <b>NOTE:</b> Includes projector and items 2, 3.
1	FRU-UF75w-PJR	1	FRU, UF75w projector only <b>NOTE:</b> Includes projector and items 2, 3.
2	20-01393-20	1	Assembly, boom, front, UF75/UF75w <b>NOTE:</b> Comes attached to the UF75/UF75w projector.
3	30-01279-20	4	Screw, M4 x 8 mm, Phillips, pan head <b>NOTE:</b> For attaching item 2 to UF75/UF75w projector.
4	52-00752-20	1	Cover, wall mount, left, UF75/UF75w
5	52-00751-20	1	Cover, wall mount, right, UF75/UF75w
6	1018052	1	Assembly, wall plate, UF75/UF75w
7	1017286	1	Assembly, boom, rear, UF75/UF75w <b>NOTE:</b> Includes items 7, 8 and 11.

8	30-01401-20	2	Screw, M6 x 35 mm, hex socket, cap head
9	93-00630-20	1	Cable, power, North America, 14' 9" (4.5 m)
9	93-00632-20	1	Cable, power, United Kingdom, 14' 9" (4.5 m)
9	93-00631-20	1	Cable, power, Europe, 14' 9" (4.5 m)
9	93-00629-20	1	Cable, power, Australia, 14' 9" (4.5 m)
9	93-00634-20	1	Cable, power, Japan, 14' 9" (4.5 m)
9	93-00633-20	1	Cable, power, China, 14' 9" (4.5 m)
9	93-00670-20	1	Cable, power, Korea, 14' 9" (4.5 m)
10	03-00131-20	1	Remote control <b>NOTE: Battery not included with replacement remotes.</b>
11	52-00762-20	1	Cover, wire, UF75/UF75w
12	30-01402-20	2	Screw, M6 x 12 mm, Phillips, button head <b>NOTE: For attaching UF75/UF75w projector to rear boom assembly.</b>
13	30-01379-20	1	E-clip, 1/2"
14	20-01395-20	1	Assembly, mounting hardware kit, UF75/UF75w
15	01-00273-20	1	Cloth, cleaning
16	20-01557-20	1	Assembly, spacer, boom mount, UF75/UF75w
Not shown	52-00765-20	1	Door, lamp cover, UF75/UF75w <b>NOTE: Comes attached to the UF75/UF75w projector.</b>
Not shown	20-01501-20	1	Replacement Lamp for UF75 and UF75w Projectors

# Assembly, SB800-i5 Extended Control Panel (Part No. 20-01466-21)



Item	Part No.	Qty	Description
1	FRU-MODULE-ECP-SBX8	1	FRU, extended control panel pen tray module, SBX8
2	52-00731-20	1	Bracket, support, master control panel (MCP)
3	30-00934	2	Screw, No. 8 × 5/16", trim, Phillips, wafer head
4	30-01343-20	2	Screw, No. 4 × 3/8", Phillips, pan head, for plastics
5	99-01122-20	1	Template, mounting, UF75/UF75w
6	93-00811-20	1	Cable, audio, right angle 3.5 mm male to dual 3.5 mm male, 10' 6" (3.2 m)
7	93-00815-21	1	Cable, harness, master control panel (MCP), 9' 6" (2.9 m)
8	93-00807-20	1	Cable, right angle USB Mini-B to USB A, 16' 5" (5.0 m)
9	20-01355-20	1	Assembly, master control panel (MCP), RCA connector pod <b>NOTE:</b> To ensure compatibility this should be ordered with item 10.
10	93-00818-20	1	Cable, triple RCA to triple RCA, 9' 2" (2.8 m) <b>NOTE:</b> To ensure compatibility this should be ordered with item 9.
11	20-01496-20	1	Assembly, video connector kit for SBX8 series



**Optional SBX8 Series Control Cable (Part No. SBX8-CTRL)**

