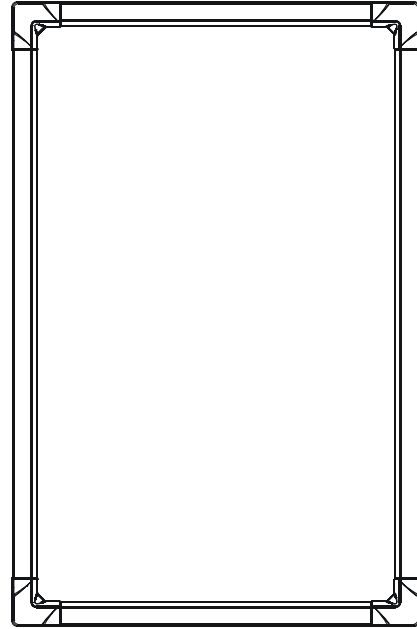




SMART™



Service Parts Diagrams

For Model:

KPX340

KPX342

KPX342B

KPX346

KPX350

Service Parts Diagrams Revision History

Revision 1 - November, 2009

- New document

Standard Warranty Terms

Base Product: Two-year limited equipment warranty

SMART Technologies

3636 Research Road NW

Calgary, AB T2L 1Y1

CANADA

Support +1.403.228.5940 or Toll Free 1.866.518.6791 (Canada/U.S.)

Support Fax +1.403.806.1256

ServiceParts@smarttech.com www.smarttech.com

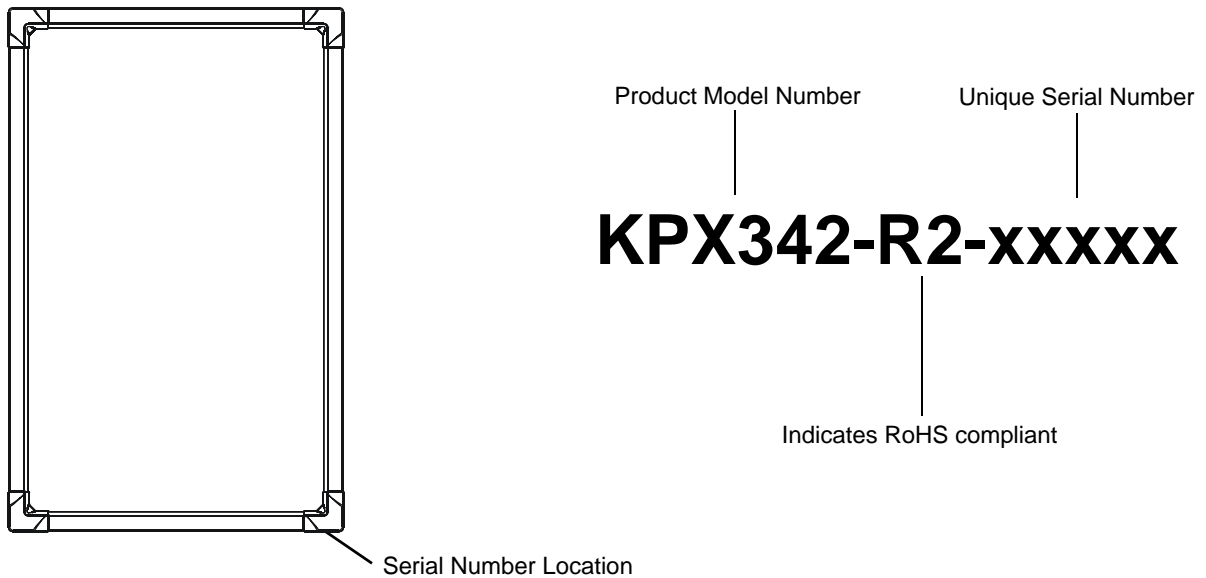


Service Parts Diagrams for the Portrait Universal Bracket Actalyst Interactive Overlay

- Identifying Your Product Using the Serial Number 1
- Ordering Parts 1
- Overview 2
- Front View of Interactive Whiteboard 4
- Back View of Interactive Whiteboard 6
- No Pen Tray Version Master Controller Assembly SC8 FRU (Part No. FRU-SC8-NPT-x) 7
- Universal Bracket Kit Assembly (Part No. 20-00654-20) 8
- Actalyst Version Universal Bracket Accessory Kit (Part No. AK-00086-21) 9

Identifying Your Product Using the Serial Number

To make sure that you have the correct service parts diagrams, you must verify the serial number of your Portrait Universal Bracket Actalyst interactive overlay. The serial number is located on the bottom right corner of the interactive whiteboard, above the pen tray. An example of the serial number format is shown below.



For non-RoHS compliant models, the serial number will match this format: KPX342-2L-xxxxx.

For RoHS compliant (Europe) models, the serial number will match this format: KPX342-2L-R1-xxxxx.

For RoHS compliant (Europe and China) models, the serial number will match this format: KPX342-R2-xxxxx.

Ordering Parts

Customers

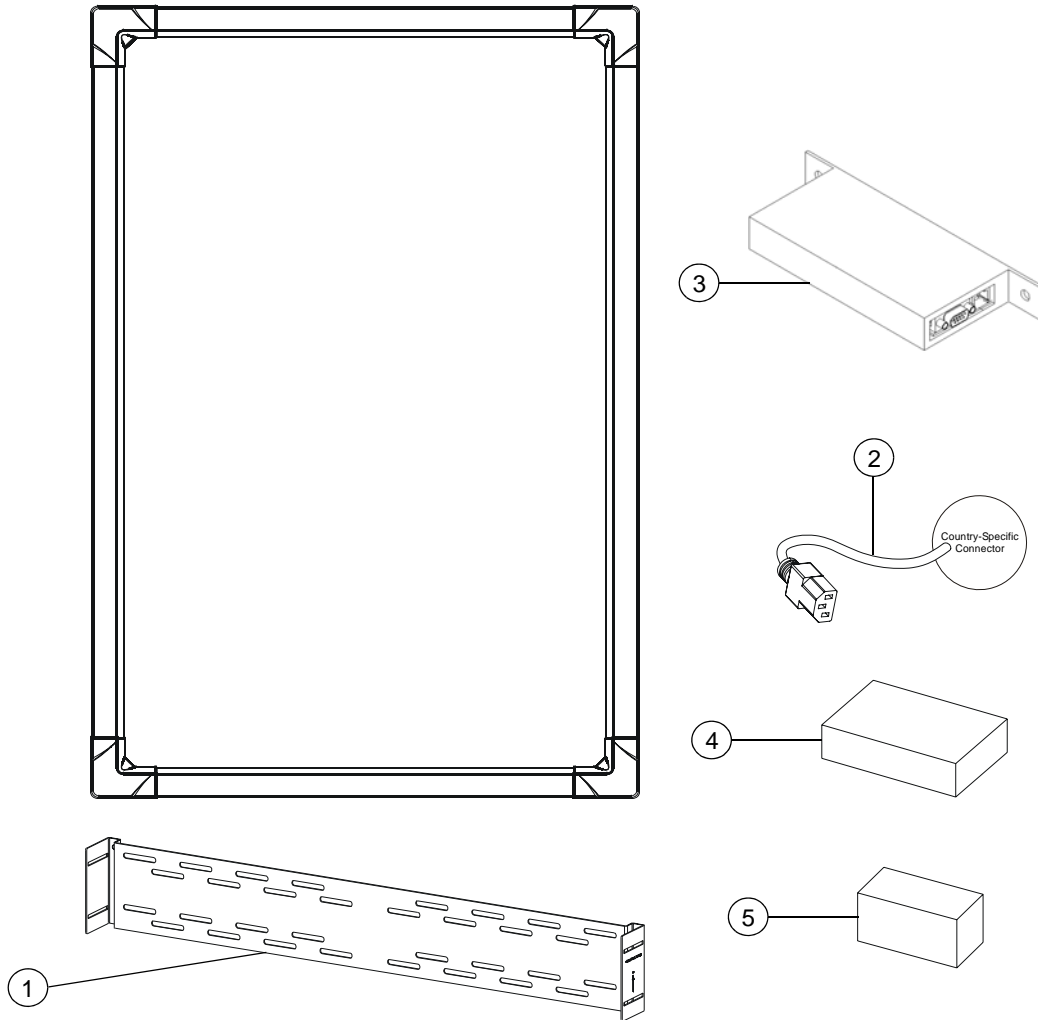
To order any of the parts in these service parts diagrams, contact your local reseller.
To find a reseller near you, visit www.smarttech.com/where.

Dealers and Distributors

For specific technical and pricing enquiries in regards to these diagrams please contact our service parts department.
Pricing is also available on-line via the SOURCE website (source.smarttech.com).

E-mail: serviceparts@smarttech.com
Phone: 1.888.42.SMART
International: +1.403.245.0333

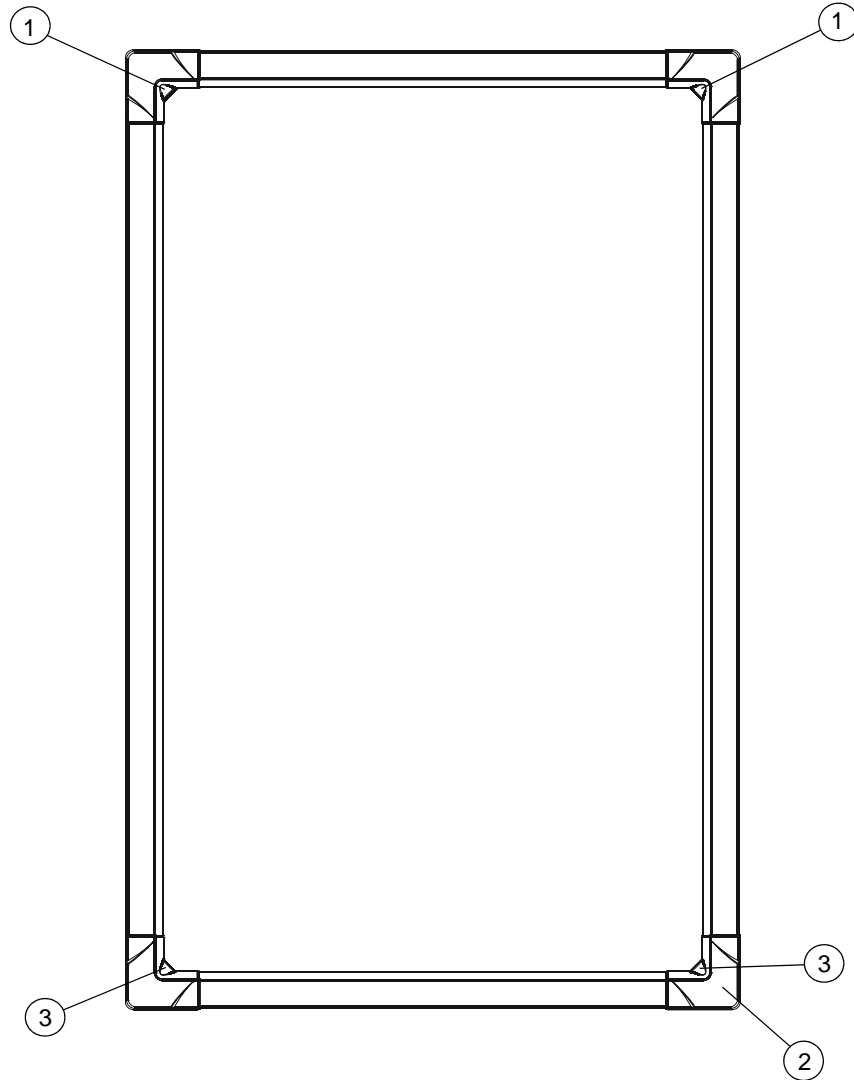
Overview



Item	Part No.	Qty	Description
1	51-00529-20	1	Bracket, center, KPX340
1	51-00567-20	1	Bracket, center, KPX342, KPX342B
1	51-00528-20	1	Bracket, center, KPX346
1	51-00576-20	1	Bracket, center, KPX350
2	93-051	1	Cable, power, North America, 8' (2.4 m)
2	93-055	1	Cable, power, United Kingdom, 8' (2.4 m)
2	93-056	1	Cable, power, Australia, 8' (2.4 m)
2	93-063	1	Cable, power, South Africa, 8' (2.4 m)
2	93-054	1	Cable, power, Europe, 8' (2.4 m)
2	93-00654-20	1	Cable, power, Japan, 8' (2.4 m)
3	FRU-SC8-NPT-x	1	FRU, SC8, master controller assembly, no pen tray version NOTE: Part no. FRU-SC8-NPT-3 for version 3.x firmware, part no. FRU-SC8-NPT-4 for version 4.x firmware. Please contact Technical Support for verification.
4	AK-00086-21	1	Kit, accessory, universal bracket, Actalyst version
5	20-00654-20	1	Assembly, kit, bracket, universal

6	20-00366-00	1	Packaging, KPX340
6	20-00367-01	1	Packaging, KPX342, KPX342B
6	20-00369-00	1	Packaging, KPX346
6	20-00371-02	1	Packaging, KPX350

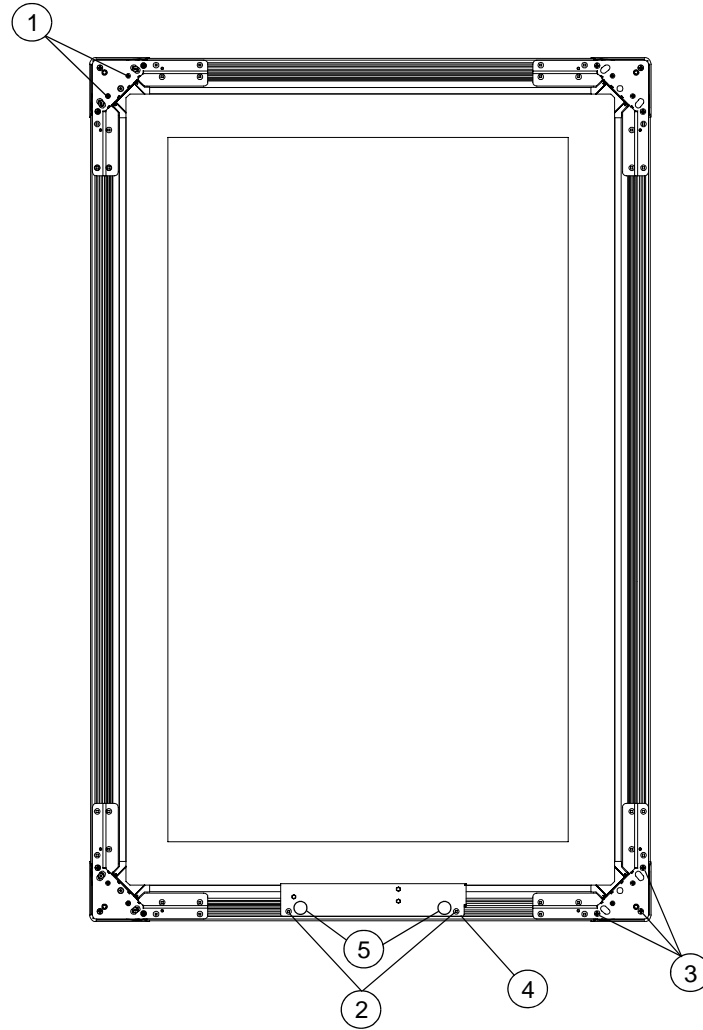
Front View of Interactive Whiteboard



Item	Part No.	Qty	Description
1	FRU-DV-CAMx-y	2	FRU, camera, DVIT NOTE: Call Technical Support for firmware version verification.
2	52-00153-00	4	Corner cap, outer, silver
3	26-00078-20	2	Circuit card, LED, corner
4	FRU-LED-2L	2	FRU, LED replacement strip, long, KPX340
5	FRU-LED-2S	1	FRU, LED replacement strip, short, KPX340
4	FRU-LED-3L	2	FRU, LED replacement strip, long, KPX342, KPX342B
5	FRU-LED-3S	1	FRU, LED replacement strip, short, KPX342, KPX342B
4	FRU-LED-5L	2	FRU, LED replacement strip, long, KPX346
5	FRU-LED-5S	1	FRU, LED replacement strip, short, KPX346
4	FRU-LED-7L	2	FRU, LED replacement strip, long, KPX350
5	FRU-LED-7S	1	FRU, LED replacement strip, short, KPX350

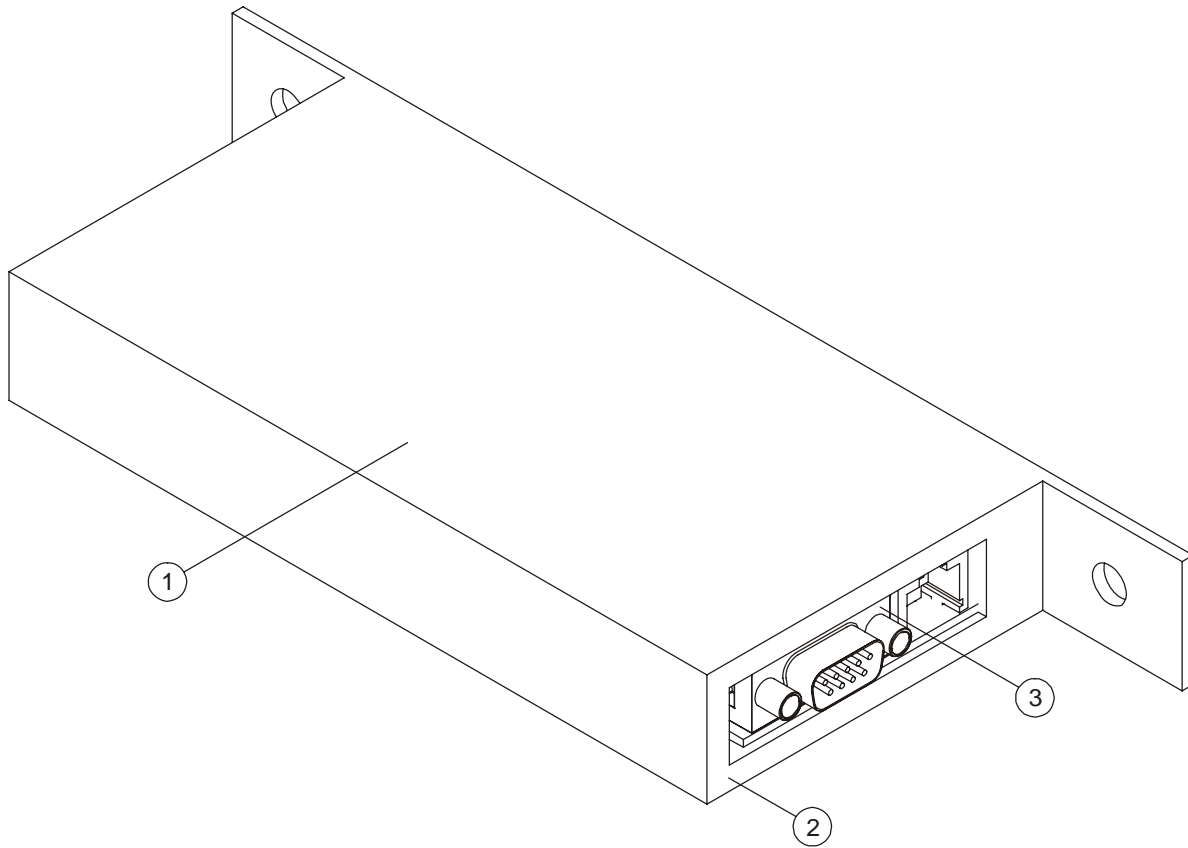
6	93-00426-20	2	Cable, MOD8 to MOD8, 4'11" (1.5 m), KPX340 NOTE: Connects the cameras to the hub.
6	93-00380-20	2	Cable, MOD8 to MOD8, 5'3" (1.6 m), KPX342, KPX342B NOTE: Connects the cameras to the hub.
6	93-00560-20	2	Cable, MOD8 to MOD8, 5'5" (1.7 m), KPX346
6	93-00367-20	2	Cable, MOD8 to MOD8, 6'1" (1.8 m), KPX350 NOTE: Connects the cameras to the hub.

Back View of Interactive Whiteboard



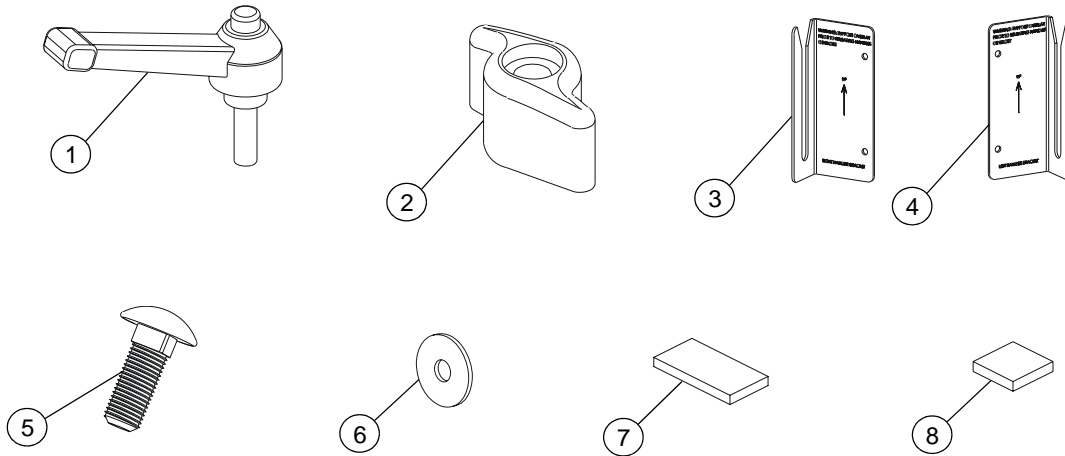
Item	Part No.	Qty	Description
1	30-00885	8	Screw, 8-32 x 3/8", Phillips, flat, undercut NOTE: For attaching cameras.
2	30-00653-20	2	Screw, 10-32 x 3/8", square recess, flat head NOTE: For attaching hub.
3	30-00719-20	12	Screw, No. 10 x 3/4", Phillips, flat head, for plastics NOTE: For attaching corner caps.
4	FRU-DV-HUB1	1	FRU, hub, assembly
5	30-00667	10	Nut, knob, 8-32, Sigma 2 NOTE: For attaching pen tray and corner brackets.

No Pen Tray Version Master Controller Assembly SC8 FRU (Part No. FRU-SC8-NPT-x)



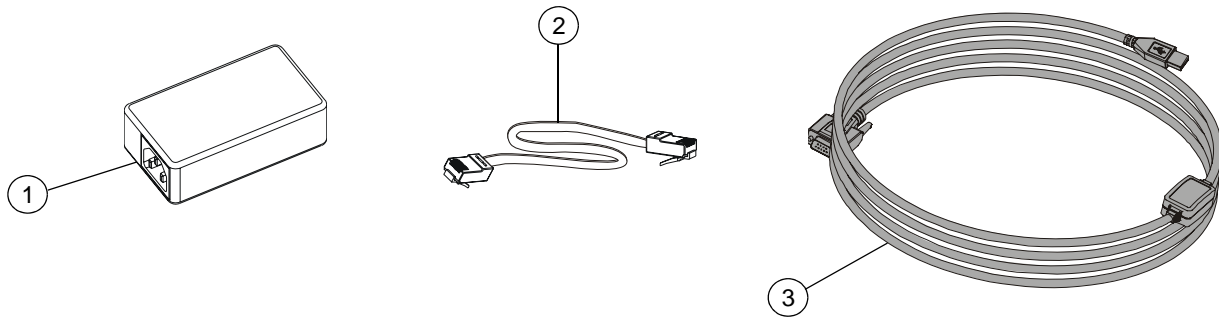
Item	Part No.	Qty	Description
1	51-00175-01	1	Housing, bottom, controller
2	51-00174-00	1	Housing, top, controller NOTE: Attaches with 2 pieces of part number 30-00731-20.
3	FRU-DV-SC8-x	1	FRU, replacement serial controller NOTE: Please contact Technical Support for firmware version verification. Attaches with 3 pieces of part number 30-00731-20.
Not shown	30-00731-20	5	Screw, 4-40 x 1/4", Phillips, pan head
Not shown	FRU-SC8-NPT-x	1	FRU, SC8, master controller assembly, no pen tray version NOTE: Includes all of the parts listed above in assembled form. Part no. FRU-SC8-NPT-3 for version 3.x firmware, part no. FRU-SC8-NPT-4 for version 4.x firmware. Please contact Technical Support for verification.

Universal Bracket Kit Assembly (Part No. 20-00654-20)



Item	Part No.	Qty	Description
1	30-00931	2	Handle, adjustable
2	30-00940	4	Handle, 1/4"-20 x 3/8" insert, T, two sided
3	51-00452-20	1	Bracket, hanger, right
4	51-00453-20	1	Bracket, hanger, left
5	30-00821-20	4	Bolt, 1/4"-20 x 3/4", carriage
6	30-00941-20	8	Washer, 11/32", flat
7	52-00186-00	4	Spacer, Poron, large
8	52-00175-00	4	Spacer, Poron, small

Actalyst Version Universal Bracket Accessory Kit (Part No. AK-00086-21)



Item	Part No.	Qty	Description
1	60-00051-20	1	Power supply, 12V DC, 5.0A, universal switching
2	93-00424-20	1	Cable, MOD8 to MOD8, 16" (40.6 cm), hub to controller
3	93-00583-21	1	Cable, USB, DB9 female to USB, 25' (7.6 m) NOTE: Does not provide power.

