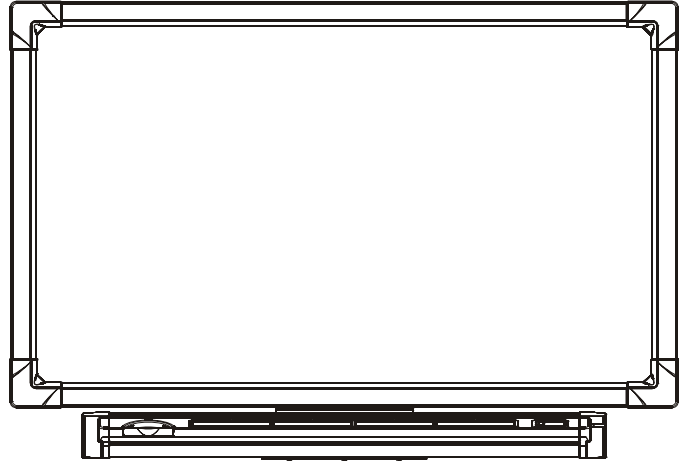


SMART™



***Service Parts
Diagrams***

For Model:

PX332

PX340

PX342

PX342B

PX346

PX350

PX352

Service Parts Diagrams Revision History

Revision 1 - November, 2009

- New document

Standard Warranty Terms

Base Product: Two-year limited equipment warranty

SMART Technologies

3636 Research Road NW

Calgary, AB T2L 1Y1

CANADA

Support +1.403.228.5940 or Toll Free 1.866.518.6791 (Canada/U.S.)

Support Fax +1.403.806.1256

ServiceParts@smarttech.com www.smarttech.com

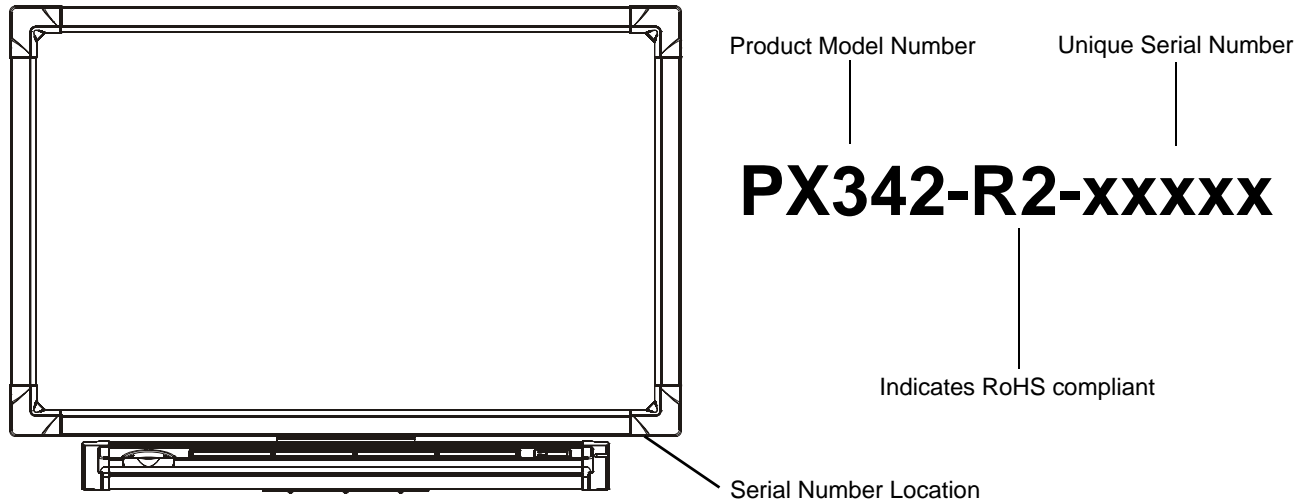


Service Parts Diagrams for the Universal Bracket SMART Board for Flat-Panel Displays Interactive Whiteboard

- Identifying Your Product Using the Serial Number 1**
- Ordering Parts 1**
- Overview 2**
- Front View of Interactive Whiteboard 4**
- Back View of Interactive Whiteboard 6**
- Pen Tray Assembly (Part No. PT12C-xx) 7**
- Universal Bracket Kit Assembly (Part No. 20-00654-20) 8**
- Pen Tray Version Universal Bracket Accessory Kit (Part No. AK-00083-21) 9**

Identifying Your Product Using the Serial Number

To make sure that you have the correct service parts diagrams, you must verify the serial number of your Universal Bracket SMART Board for Flat-Panel Displays interactive whiteboard. The serial number is located on the bottom right corner of the interactive whiteboard, above the pen tray. An example of the serial number format is shown below.



For non-RoHS compliant models, the serial number will match this format: PX342-2L-xxxxx.

For RoHS compliant (Europe) models, the serial number will match this format: PX342-2L-R1-xxxxx.

For RoHS compliant (Europe and China) models, the serial number will match this format: PX342-R2-xxxxx.

Ordering Parts

Customers

To order any of the parts in these service parts diagrams, contact your local reseller.

To find a reseller near you, visit www.smarttech.com/where.

Dealers and Distributors

For specific technical and pricing enquiries in regards to these diagrams please contact our service parts department.

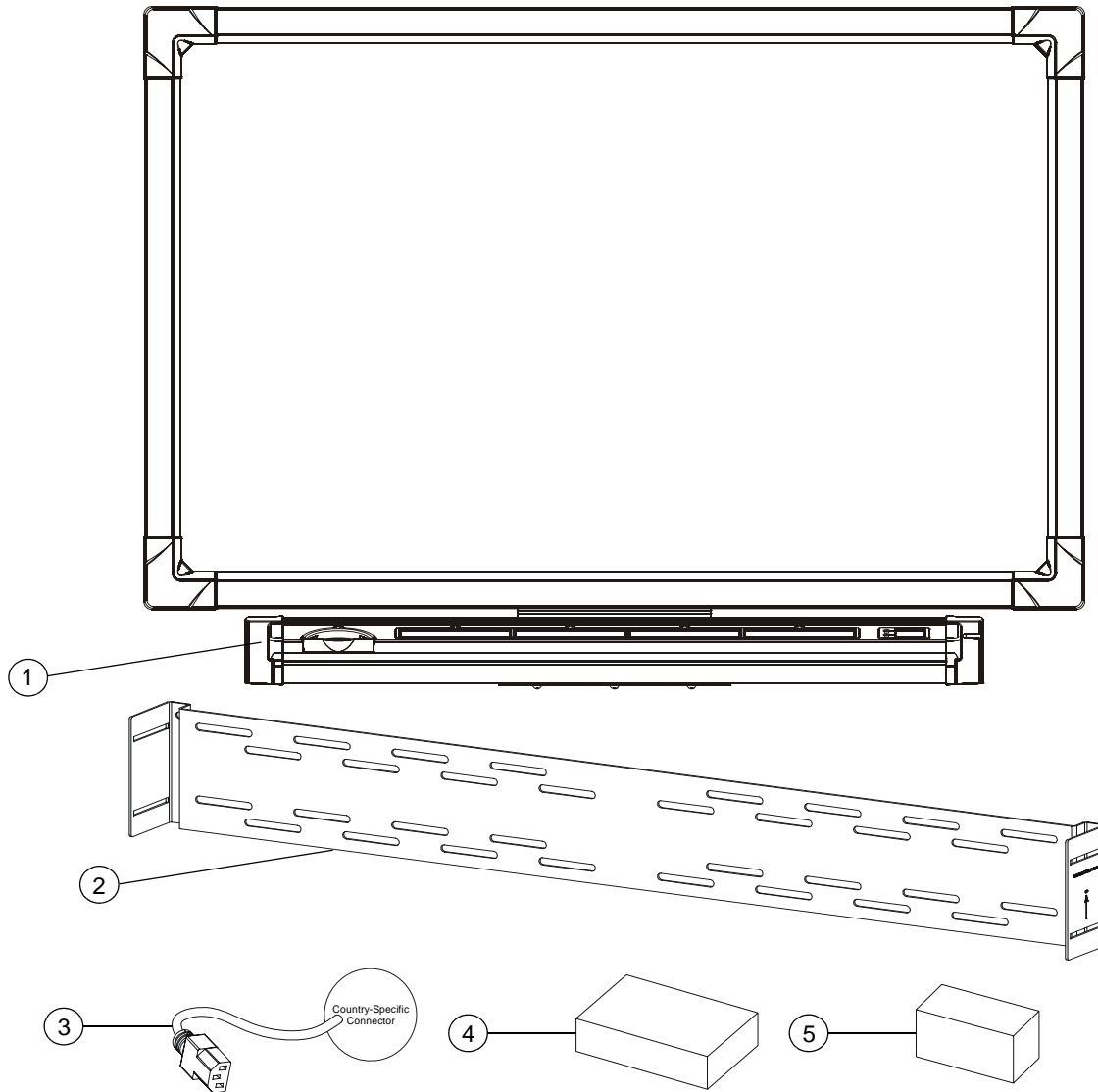
Pricing is also available on-line via the SOURCE website (source.smarttech.com).

E-mail: serviceparts@smarttech.com

Phone: 1.888.42.SMART

International: +1.403.245.0333

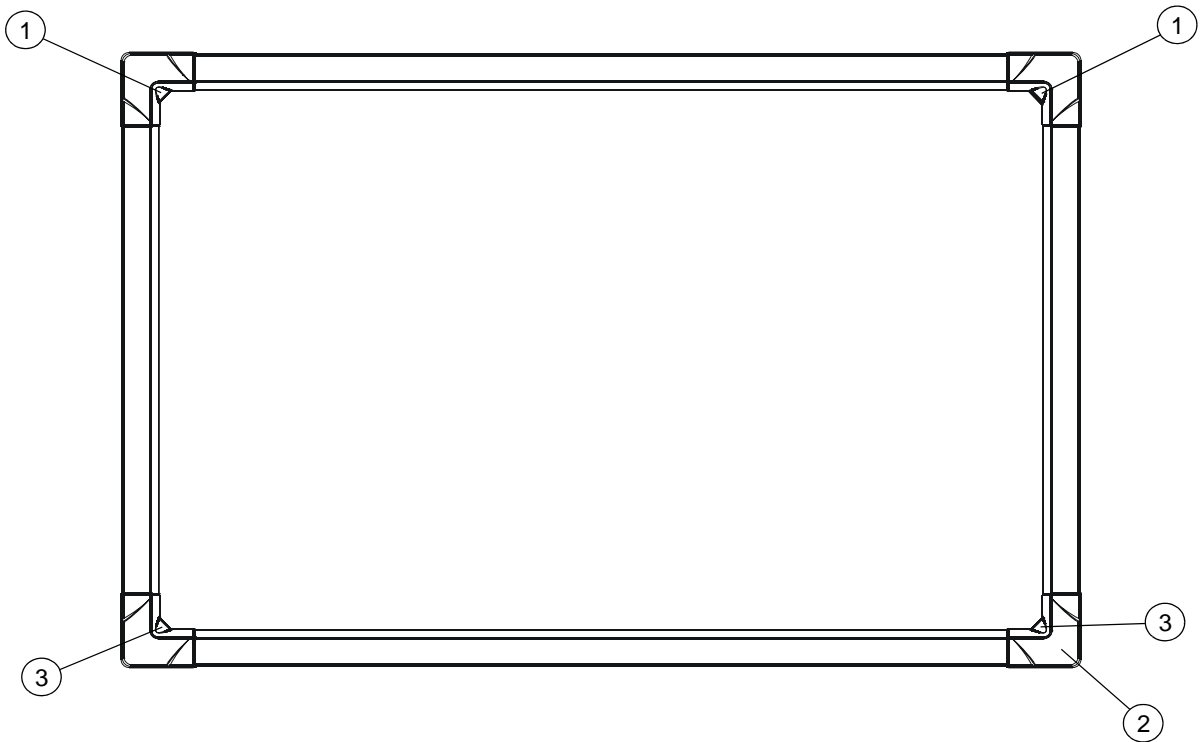
Overview



Item	Part No.	Qty	Description
1	PT12C-20	1	Assembly, pen tray, version 4.x firmware NOTE: For 3.x firmware version pen trays the FRU-DV-SC8-3 replacement controller will also be required. Please contact Technical Support for verification.
2	51-00584-20	1	Bracket, center, PX332
2	51-00517-20	1	Bracket, center, PX340
2	51-00568-20	1	Bracket, center, PX342, PX342B
2	51-00525-20	1	Bracket, center, PX346
2	51-00454-20	1	Bracket, center, PX350
2	51-00701-20	1	Bracket, center, PX352
3	93-051	1	Cable, power, North America, 8' (2.4 m)
3	93-055	1	Cable, power, United Kingdom, 8' (2.4 m)
3	93-056	1	Cable, power, Australia, 8' (2.4 m)
3	93-063	1	Cable, power, South Africa, 8' (2.4 m)

3	93-054	1	Cable, power, Europe, 8' (2.4 m)
3	93-00654-20	1	Cable, power, Japan, 8' (2.4 m)
4	AK-00083-21	1	Kit, accessory, universal bracket, pen tray version
5	20-00654-20	1	Assembly, kit, bracket, universal
6	20-00803-00	1	Packaging, PX332
6	20-00366-00	1	Packaging, PX340
6	20-00367-01	1	Packaging, PX342, PX342B
6	20-00369-00	1	Packaging, PX346
6	20-00371-02	1	Packaging, PX350
6	20-00941-20	1	Packaging, PX352

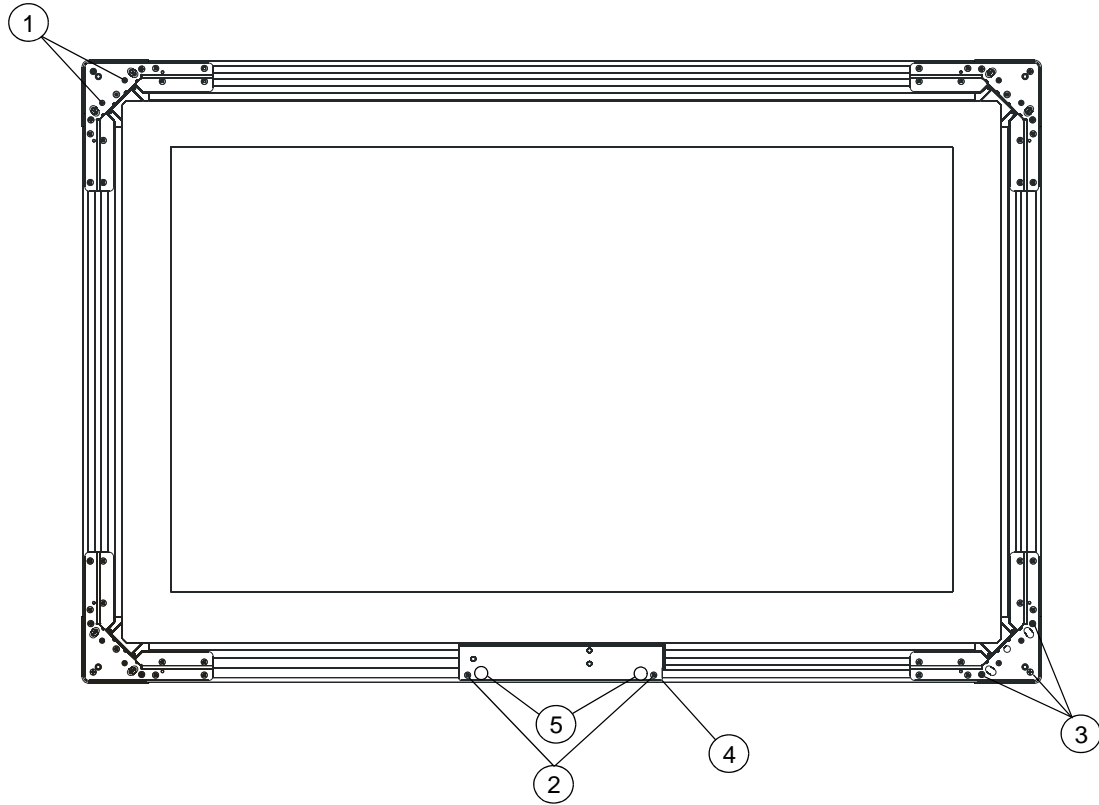
Front View of Interactive Whiteboard



Item	Part No.	Qty	Description
1	FRU-DV-CAMx-y	2	FRU, camera, DViT NOTE: Call Technical Support for firmware version verification.
2	52-00153-00	4	Corner cap, outer, silver
3	26-00078-20	2	Circuit card, LED, corner
4	FRU-LED-12L	1	FRU, LED replacement strip, long, PX332
5	FRU-LED-12S	2	FRU, LED replacement strip, short, PX332
4	FRU-LED-2L	1	FRU, LED replacement strip, long, PX340
5	FRU-LED-2S	2	FRU, LED replacement strip, short, PX340
4	FRU-LED-3L	1	FRU, LED replacement strip, long, PX342, PX342B
5	FRU-LED-3S	2	FRU, LED replacement strip, short, PX342, PX342B
4	FRU-LED-5L	1	FRU, LED replacement strip, long, PX346
5	FRU-LED-5S	2	FRU, LED replacement strip, short, PX346
4	FRU-LED-7L	1	FRU, LED replacement strip, long, PX350
5	FRU-LED-7S	2	FRU, LED replacement strip, short, PX350
4	FRU-LED-15L	1	FRU, LED replacement strip, long, PX352
5	FRU-LED-15S	2	FRU, LED replacement strip, short, PX352
6	93-00425-20	2	Cable, MOD8 to MOD8, 3'11" (1.2 m), PX332 NOTE: Connects the cameras to the hub.

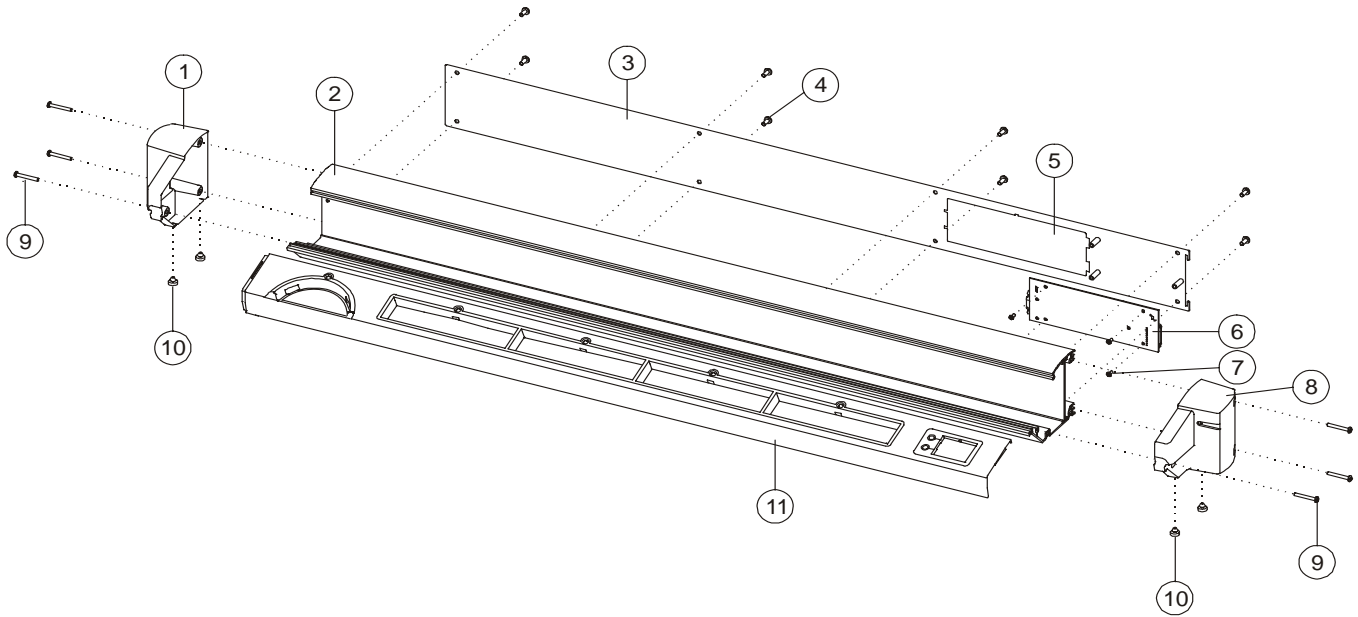
6	93-00445-20	2	Cable, MOD8 to MOD8, 4'4" (1.3 m), PX340 NOTE: Connects the cameras to the hub.
6	93-00355-20	2	Cable, MOD8 to MOD8, 4'7" (1.4 m), PX342, PX342B NOTE: Connects the cameras to the hub.
6	93-00546-20	2	Cable, MOD8 to MOD8, 4'9" (1.5 m), PX346 NOTE: Connects the cameras to the hub.
6	93-00380-20	2	Cable, MOD8 to MOD8, 5'3" (1.6 m), PX350, PX352 NOTE: Connects the cameras to the hub.

Back View of Interactive Whiteboard



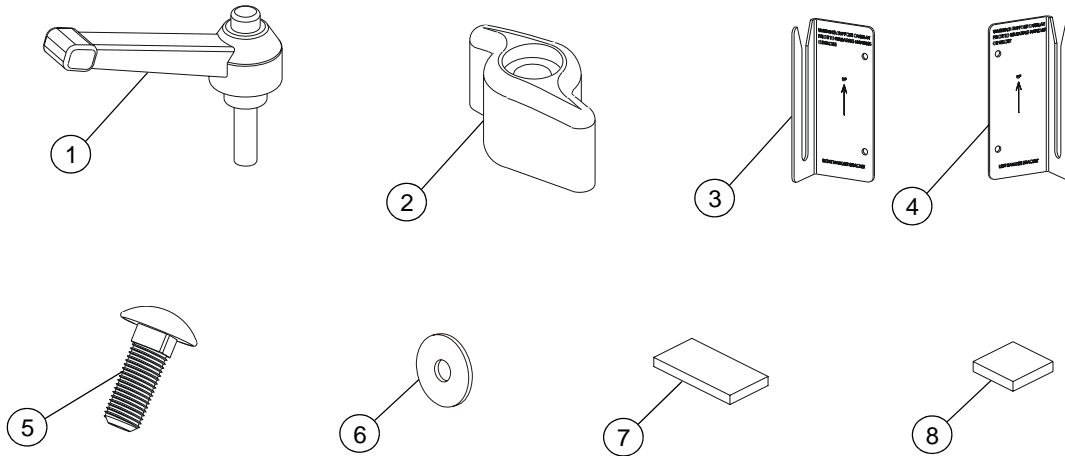
Item	Part No.	Qty	Description
1	30-00885	8	Screw, 8-32 x 3/8", Phillips, flat, undercut NOTE: For attaching cameras.
2	30-00653-20	2	Screw, 10-32 x 3/8", square recess, flat head NOTE: For attaching hub.
3	30-00719-20	12	Screw, No. 10 x 3/4", Phillips, flat head, for plastics NOTE: For attaching corner caps.
4	FRU-DV-HUB1	1	FRU, hub, assembly
5	30-00667	10	Nut, knob, 8-32, Sigma 2 NOTE: For attaching pen tray and corner brackets.

Pen Tray Assembly (Part No. PT12C-xx)



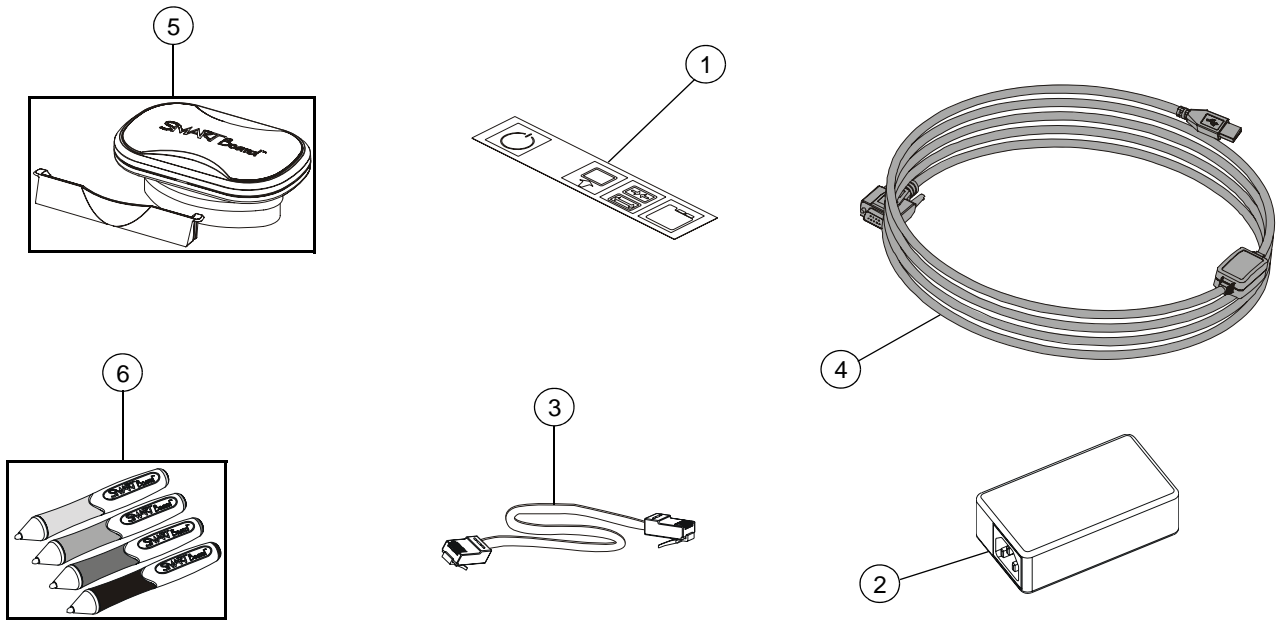
Item	Part No.	Qty	Description
1	52-00003-02	1	End cap, pen tray, left, silver
2	51-00262-00	1	Extrusion, pen tray, silver
3	51-00127-20	1	Back plate, pen tray
4	30-419	8	Screw, 8-32 × 1/4", Phillips, pan head NOTE: For attaching pen tray back plate.
5	52-0002-00	1	Grommet, cable
6	FRU-DV-SC8-x	1	FRU, replacement serial controller NOTE: Call Technical Support for firmware version verification.
7	30-00731-20	3	Screw, 4-40 × 1/4", Phillips, pan head NOTE: For attaching serial controller.
8	52-00004-02	1	End cap, pen tray, right, silver
9	30-00446-20	6	Screw, 6-32 × 3/8", Phillips, pan head NOTE: For attaching pen tray end caps.
10	30-457	4	Bumper, rubber, black
11	FRU-PT10-SILVER	1	FRU, pen tray, silver NOTE: Controller not included.
Not shown	93-00594-20	1	Cable, ribbon, 13 1/2" (34 cm), pen tray to controller
Not shown	51-00130-01	1	Bracket, mounting, pen tray
Not shown	30-00421-20	3	Screw, 1/4"-20 × 3/8", round head NOTE: Attaches the pen tray mounting bracket to the pen tray.

Universal Bracket Kit Assembly (Part No. 20-00654-20)



Item	Part No.	Qty	Description
1	30-00931	2	Handle, adjustable
2	30-00940	4	Handle, 1/4"-20 x 3/8" insert, T, two sided
3	51-00452-20	1	Bracket, hanger, right
4	51-00453-20	1	Bracket, hanger, left
5	30-00821-20	4	Bolt, 1/4"-20 x 3/4", carriage
6	30-00941-20	8	Washer, 11/32", flat
7	52-00186-00	4	Spacer, Poron, large
8	52-00175-00	4	Spacer, Poron, small

Pen Tray Version Universal Bracket Accessory Kit (Part No. AK-00083-21)



Item	Part No.	Qty	Description
1	43-00094-20	1	Icon strip, display
2	60-00051-20	1	Power supply, 12V DC, 5.0A, universal switching
3	93-00424-20	1	Cable, MOD8 to MOD8, 16" (40.6 cm), hub to controller
4	93-00583-21	1	Cable, USB, DB9 female to USB, 25' (7.6 m) NOTE: Does not provide power.
5	ERA-003	1	Small eraser, comes with eraser barrier
6	RPEN	1	Pens - set of four (Black, Red, Blue, Green)

