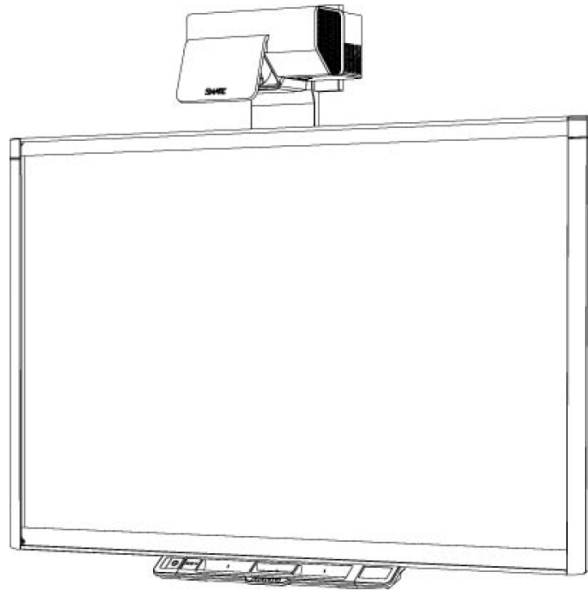


SMART™



Service Parts Diagrams

**For Model:
UX60-SB800**

Service Parts Diagrams Revision History

Revision 1 - March, 2011

- New document

Revision 2 - July, 2011

- Add FRU-UX60-PJR, FRU-MODULE-ECP-SBX8 and 52-00768-20
- Adjust lamp to a 1000 hour/one year warranty

Revision 3 - October, 2011

- Change 93-00815-20 to 93-00815-21

Standard Warranty Terms

The projector and extended control panel (ECP) have a three-year limited equipment warranty. The UX60 projector lamp has a 1000 hour/one year warranty. Your interactive whiteboard has a two-year limited equipment warranty or a five-year limited equipment warranty upon registration.

First Customer Ship: December, 2010

SMART Technologies

3636 Research Road NW

Calgary, AB T2L 1Y1

CANADA

Support +1.403.228.5940 or Toll Free 1.866.518.6791 (Canada/U.S.)

Support Fax +1.403.806.1256

ServiceParts@smarttech.com www.smarttech.com

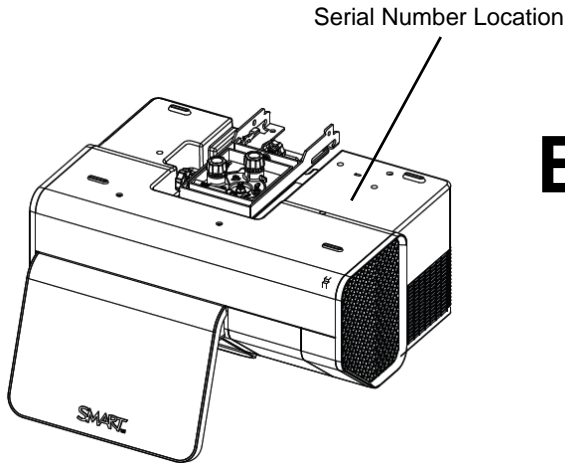


Service Parts Diagrams for the UX60-SB800

- Identifying Your Product Using the Serial Number 1
- Ordering Parts 1
- UX60 Parts 2
- FRU, Extended Connection Panel Kit, SBX800ix (Part No. FRU-ECP-SBX800IX) 4
- Optional SBX Series Control Cable (Part No. SBX8-CTRL) 5

Identifying Your Product Using the Serial Number

To make sure that you have the correct service parts diagrams, you must verify the serial number of your UX60 Projector. When mounted, the serial number will be visible on the top of the projector. An example of the serial number format is shown below.



B012BK02D0107

Unique Serial Number

Ordering Parts

Customers

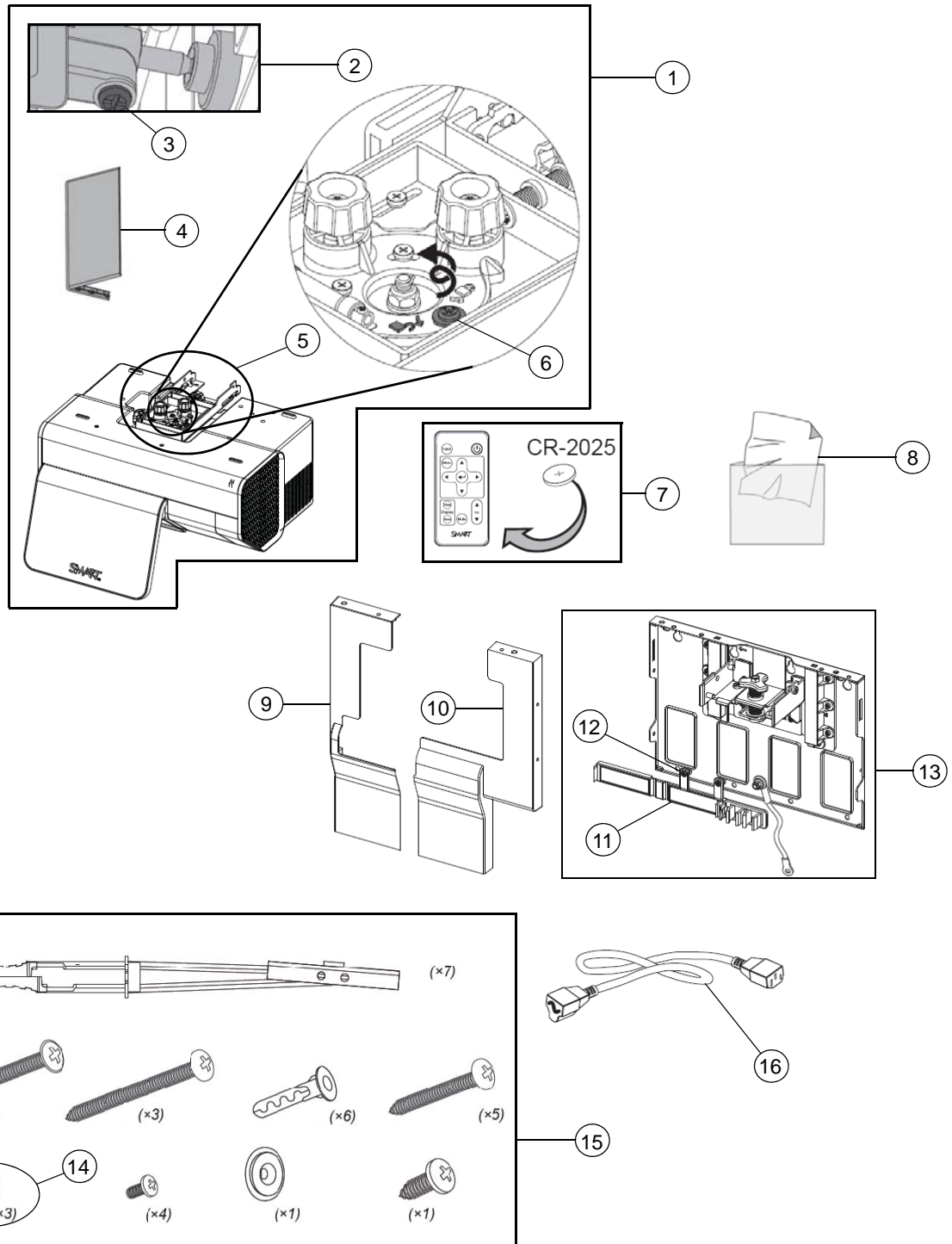
To order any of the parts in these service parts diagrams, contact your local reseller. To find a reseller near you, visit www.smarttech.com/where.

Dealers and Distributors

For specific technical and pricing enquiries in regards to these diagrams please contact our service parts department. Pricing is also available on-line via the SOURCE website (source.smarttech.com).

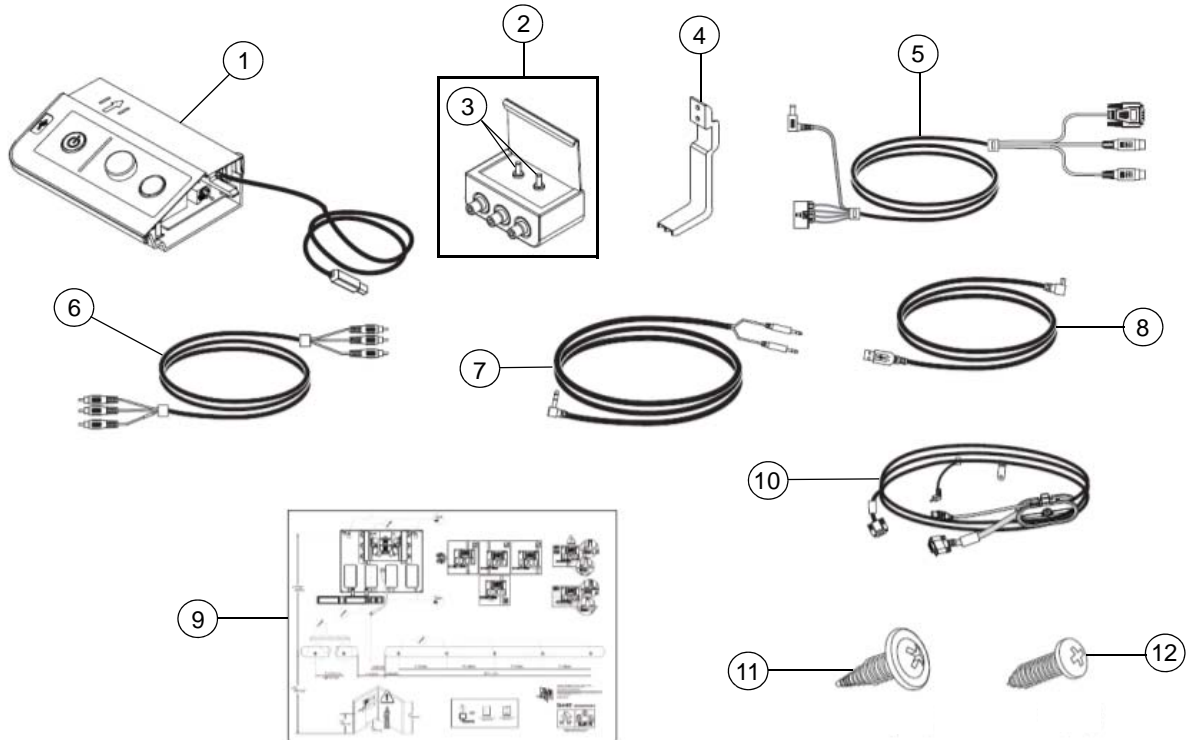
E-mail: serviceparts@smarttech.com
Phone: 1.888.42.SMART
International: +1.403.245.0333

UX60 Parts



Item	Part No.	Qty	Description
1	FRU-UX60-PJR	1	FRU, UX60 projector only NOTE: Includes projector and items 2, 3, 4, 5, 6.
2	51-00803-20	1	Assembly, dampener, vibration, UX60 NOTE: Includes item 3. Comes attached to the UX60 projector.
3	30-01172-20	1	Screw, M4 x 12 mm, Phillips, washer head, black
4	52-00650-20	1	Cover, cable, input/output panel, UX60 NOTE: Comes attached to the UX60 projector.
6	30-01289-20	1	Screw, M5 x 8 mm, Phillips, washer head
7	03-00131-20	1	Remote control NOTE: Battery not included with replacement remotes.
8	01-00273-20	1	Cloth, cleaning, UX60
9	52-00649-20	1	Cover, left, wall mount, UX60
10	52-00648-20	1	Cover, right, wall mount, UX60
11	52-00651-20	1	Clip, wire management, wall plate, UX60
12	30-01279-20	2	Screw, M4 x 8 mm, Phillips, pan head
14	30-01280-20	3	Screw, M6 x 8 mm, Phillips, pan head NOTE: For attaching the projector to the wall plate assembly.
15	20-01171-21	1	Assembly, mounting hardware kit, UX60
16	93-00630-20	1	Cable, power, North America, 14' 9" (4.5 m)
16	93-00632-20	1	Cable, power, United Kingdom, 14' 9" (4.5 m)
16	93-00631-20	1	Cable, power, Europe, 14' 9" (4.5 m)
16	93-00629-20	1	Cable, power, Australia, 14' 9" (4.5 m)
16	93-00634-20	1	Cable, power, Japan, 14' 9" (4.5 m)
16	93-00633-20	1	Cable, power, China, 14' 9" (4.5 m)
16	93-00670-20	1	Cable, power, Korea, 14' 9" (4.5 m)
Not shown	FRU-BRK-UX60	1	FRU, bracket replacement kit, UX60 NOTE: Includes items 5, 11, 12 and 13.
Not shown	30-00946-20	4	Screw, M4 x 6 mm, Phillips, pan head NOTE: For attaching item 5 to the projector.
Not shown	52-00768-20	1	Door, lamp cover, UX60 NOTE: Comes attached to the UX60 projector.
Not shown	20-01175-20	1	Replacement Lamp for UX60 Projector

FRU, Extended Connection Panel Kit, SBX800ix (Part No. FRU-ECP-SBX800IX)



Item	Part No.	Qty	Description
1	FRU-MODULE-ECP-SBX8	1	FRU, extended control panel pen tray module, SBX8
2	20-01355-20	1	Assembly, master control panel (MCP), RCA connector pod NOTE: Includes two pieces of item 3.
3	30-01284-20	2	Screw, M4 x 16 mm, pelatized, hex, button head
4	52-00731-20	1	Bracket, support, master control panel (MCP)
5	93-00815-21	1	Cable, harness, master control panel (MCP), 9'6" (2.9 m)
6	93-00818-20	1	Cable, triple RCA to triple RCA, 9'2" (2.8 m)
7	93-00811-20	1	Cable, audio, right angle 3.5 mm male to dual 3.5 mm male, 10'6" (3.2 m)
8	93-00807-20	1	Cable, right angle USB Mini-B to USB A, 16'5" (5.0 m)
9	99-00986-21	1	Template, mounting, UX60
10	93-00804-20	1	Cable, harness, laptop, master control panel (MCP), 13'9" (4.2 m)
11	30-00934	2	Screw, No. 8 x 5/16", trim, Phillips, wafer head
12	30-01343-20	2	Screw, No. 4 x 3/8", Phillips, pan head, for plastics

Optional SBX Series Control Cable (Part No. SBX8-CTRL)

