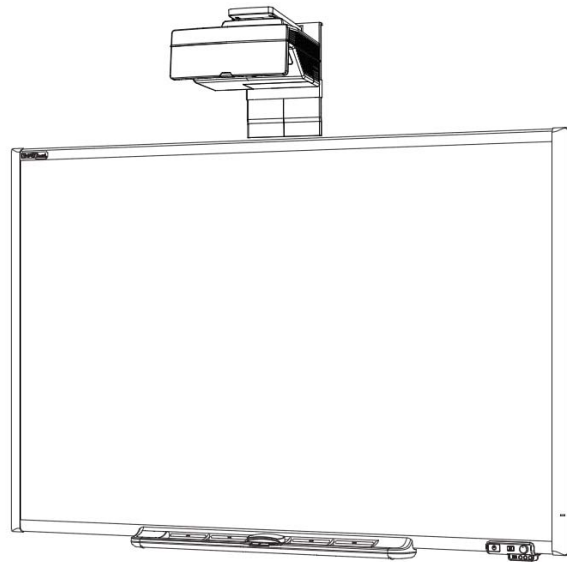




SMART[®]



Service Parts Diagrams

**For Model:
UX80-SB685**

Service Parts Diagrams Revision History

Revision 1 - June, 2013

- New document

Revision 2 - November, 2013

- Change 20-01623-20 to 1013576

Revision 3 - April, 2015

- Change 93-00824-20 to 93-00764-20

Standard Warranty Terms

The projector and ECP have a three-year limited equipment warranty. The UX80 projector lamp has a 1000-hour/one-year warranty.

First Customer Ship: June, 2013

SMART Technologies

3636 Research Road NW

Calgary, AB T2L 1Y1

CANADA

Support +1.403.228.5940 or Toll Free 1.866.518.6791 (Canada/U.S.)

Support Fax +1.403.806.1256

www.smarttech.com/contactserviceparts www.smarttech.com

The SMART logo consists of the word "SMART" in a bold, stylized, sans-serif font. The letters are black with a white outline, and a registered trademark symbol (®) is located at the bottom right of the letter "T".

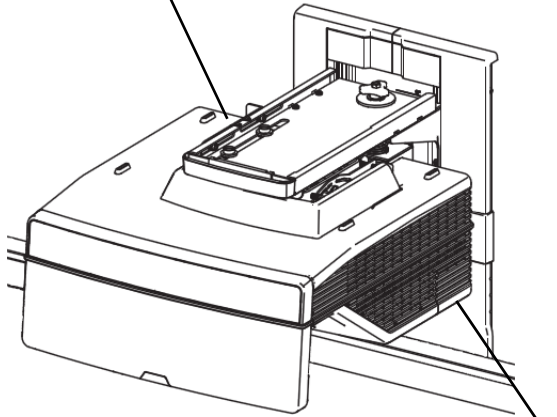
Service Parts Diagrams for the UX80-SB685

- Identifying Your Product Using the Serial Number 1
- Ordering Parts 1
- UX80 Parts 2
- Optional Projector Mounting Hardware Kit Assembly (Part No. 1013576) 4
- Assembly, SB685ix2 Extended Control Panel (Part No. 1020906) 5

Identifying Your Product Using the Serial Number

To make sure that you have the correct service parts diagrams, you must verify the serial number of your UX80 Projector. When mounted, the projector serial number will be visible on the top of the projector or it is also located behind the input/output panel cover. An example of the serial number format is shown below.

Projector Serial Number Location



B011EL13M0132

Unique Projector Serial Number

Projector Serial Number Location
(will be visible with the input/output cover removed)

Ordering Parts

Customers

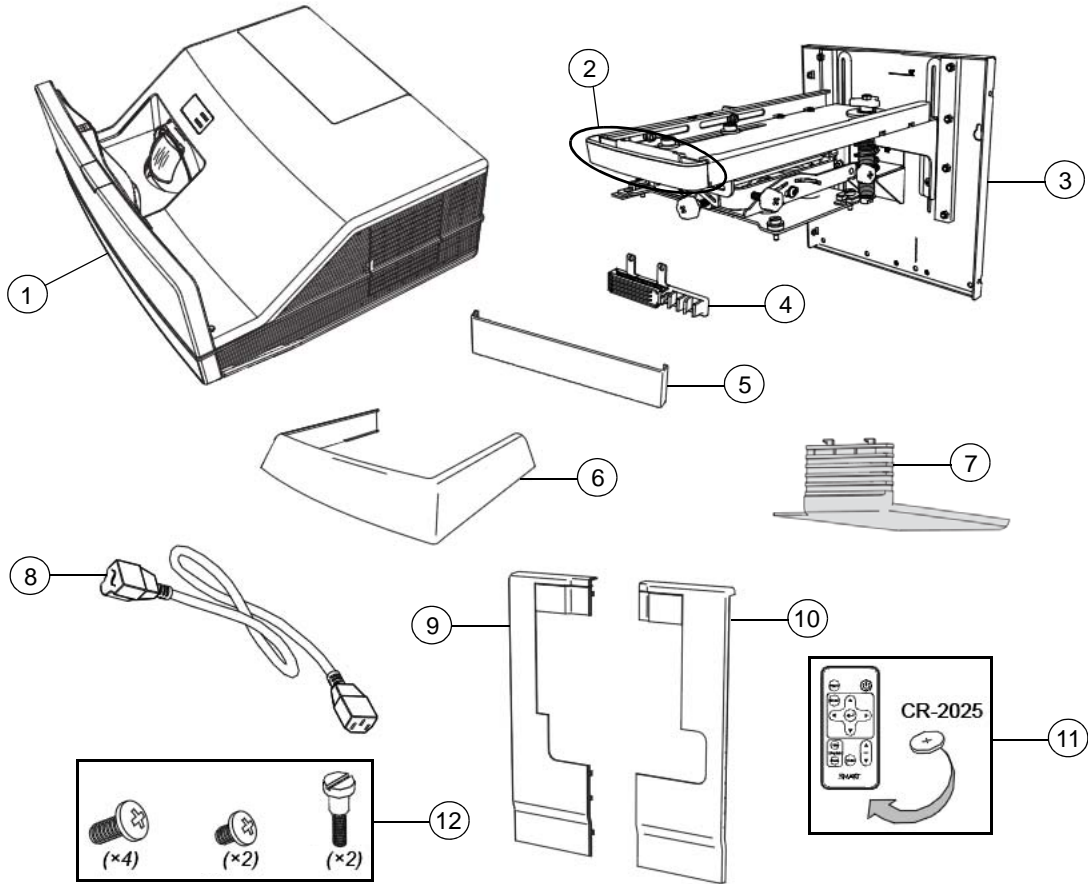
To order any of the parts in these service parts diagrams, contact your local reseller. To find a reseller near you, visit www.smarttech.com/where.

Dealers and Distributors

For specific technical and pricing enquiries in regards to these diagrams please contact our service parts department. Pricing is also available on-line via the SOURCE website (source.smarttech.com).

Web Form: www.smarttech.com/contactserviceparts
Phone: 1.888.42.SMART
International: +1.403.245.0333

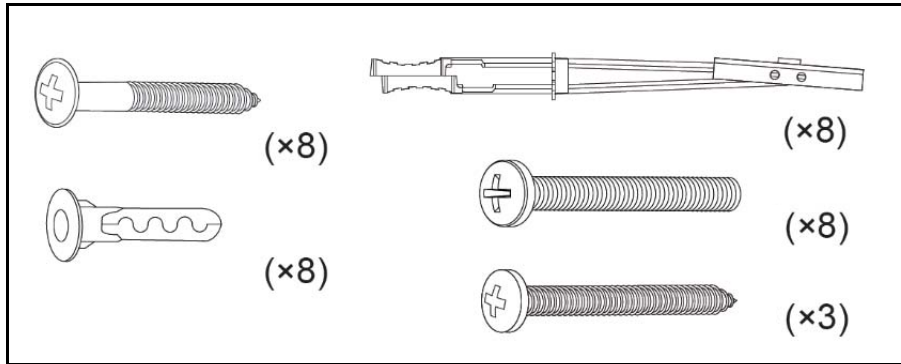
UX80 Parts



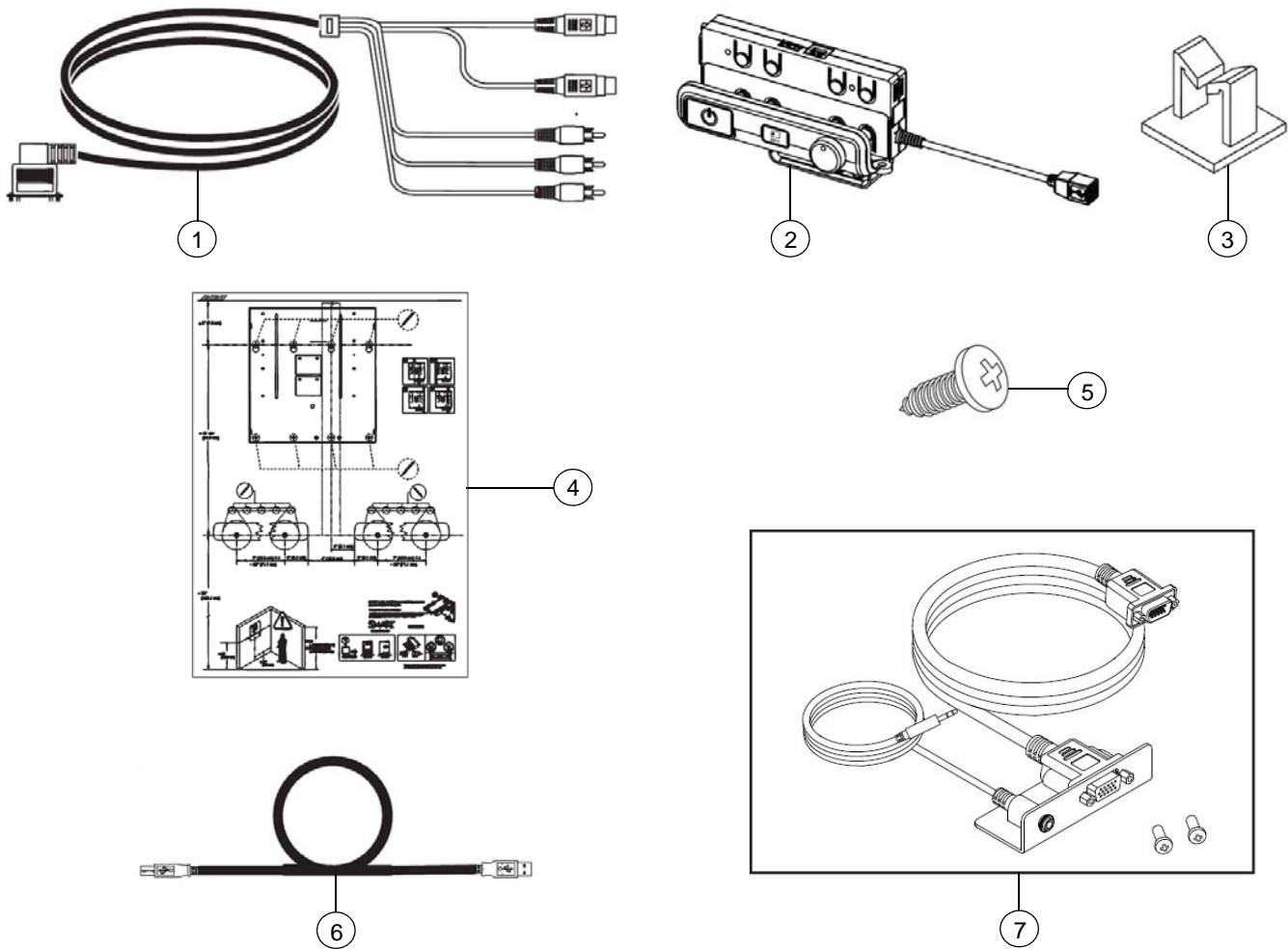
Item	Part No.	Qty	Description
1	FRU-UX80-PJR	1	FRU, UX80 projector only
2	1017516	1	Cap, cosmetic, boom
3	1016782	1	Assembly, adjustment module, WXGA NOTE: Includes adjustment module and item 2.
4	52-00651-20	1	Clip, wire management, wall plate
5	1017166	1	Cover, cable
6	1017682	1	Cover, adjustment module
7	1020038	1	Cover, input/output panel, projector NOTE: Comes attached to the projector.
8	93-00630-20	1	Cable, power, North America, 14' 9" (4.5 m)
8	93-00632-20	1	Cable, power, United Kingdom, 14' 9" (4.5 m)
8	93-00631-20	1	Cable, power, Europe, 14' 9" (4.5 m)
8	93-00629-20	1	Cable, power, Australia, 14' 9" (4.5 m)
8	93-00634-20	1	Cable, power, Japan, 14' 9" (4.5 m)
8	93-00633-20	1	Cable, power, China, 14' 9" (4.5 m)
8	93-00670-20	1	Cable, power, Korea, 14' 9" (4.5 m)

9	1017164	1	Cover, wall plate, left
10	1017163	1	Cover, wall plate, right
11	03-00131-20	1	Remote control NOTE: CR-2025 battery not included with replacement remotes.
12	1018395	1	Assembly, hardware kit
Not shown	1019270	1	Door, lamp cover, projector, UX80 NOTE: Comes attached to the projector.
Not shown	1018740	1	Replacement Lamp for UX80 Projector
Not shown	20-01551-20	1	Board leveling kit NOTE: This kit minimizes distortion in your SMART Board 600 series interactive whiteboard system's projected image. This distortion results from a slight curve in your interactive whiteboard.

Optional Projector Mounting Hardware Kit Assembly (Part No. 1013576)



Assembly, SB685ix2 Extended Control Panel (Part No. 1020906)



Item	Part No.	Qty	Description
1	93-00764-20	1	Cable, harness, extended connection panel (ECP), UF65/UF65w/UX80, 11' 10" (3.6 m)
2	20-01169-20	1	Assembly, extended connection panel (ECP)
3	30-01281-20	2	Clip, saddle "U", wire management
4	1018346	1	Template, mounting, UX80
5	30-01199-20	2	Screw, No. 8 x 1/2", Phillips, pan head NOTE: For attaching the ECP to the SMART Board.
6	93-00143-20	1	Cable, USB, A-B, 6' (1.8 m)
7	20-01495-20	1	Assembly, video connector kit for SB6 series