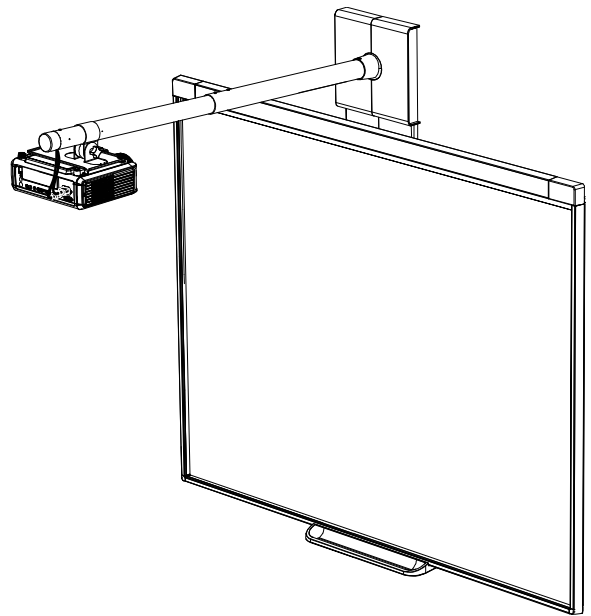


SMART™



Service Parts Diagrams

**For Model:
V25**

Service Parts Diagrams Revision History

Revision 1 - March, 2011

- New document

Revision 2 - July, 2011

- Change 20-01387-20 to FRU-V25-PJR

Revision 3 - October, 2013

- Change 03-00198-20 to 03-00131-20

Standard Warranty Terms

The projector and projector lamp have a two-year limited equipment warranty.

First Customer Ship: February, 2011

SMART Technologies

3636 Research Road NW

Calgary, AB T2L 1Y1

CANADA

Support +1.403.228.5940 or Toll Free 1.866.518.6791 (Canada/U.S.)

Support Fax +1.403.806.1256

ServiceParts@smarttech.com www.smarttech.com

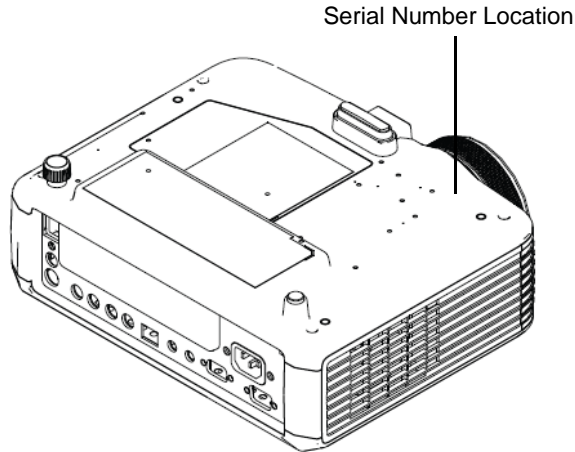


Service Parts Diagrams for the V25

- Identifying Your Product Using the Serial Number 1
- Ordering Parts 1
- V25 Projector 2
- V25 Mount 3

Identifying Your Product Using the Serial Number

To make sure that you have the correct service parts diagrams, you must verify the serial number of your V25 Projector. When mounted on the boom the serial number will be visible on the top of the projector. An example of the serial number format is shown below.



Q012DW03A0387

Unique Serial Number

Ordering Parts

Customers

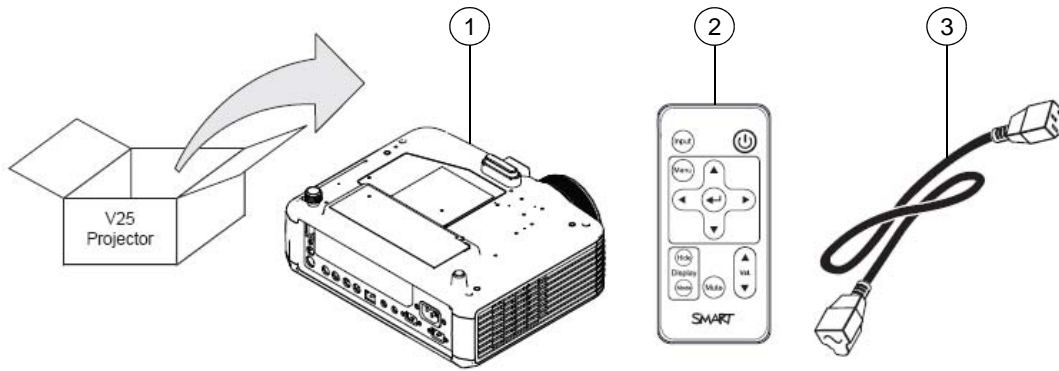
To order any of the parts in these service parts diagrams, contact your local reseller. To find a reseller near you, visit www.smarttech.com/where.

Dealers and Distributors

For specific technical and pricing enquiries in regards to these diagrams please contact our service parts department. Pricing is also available on-line via the SOURCE website (source.smarttech.com).

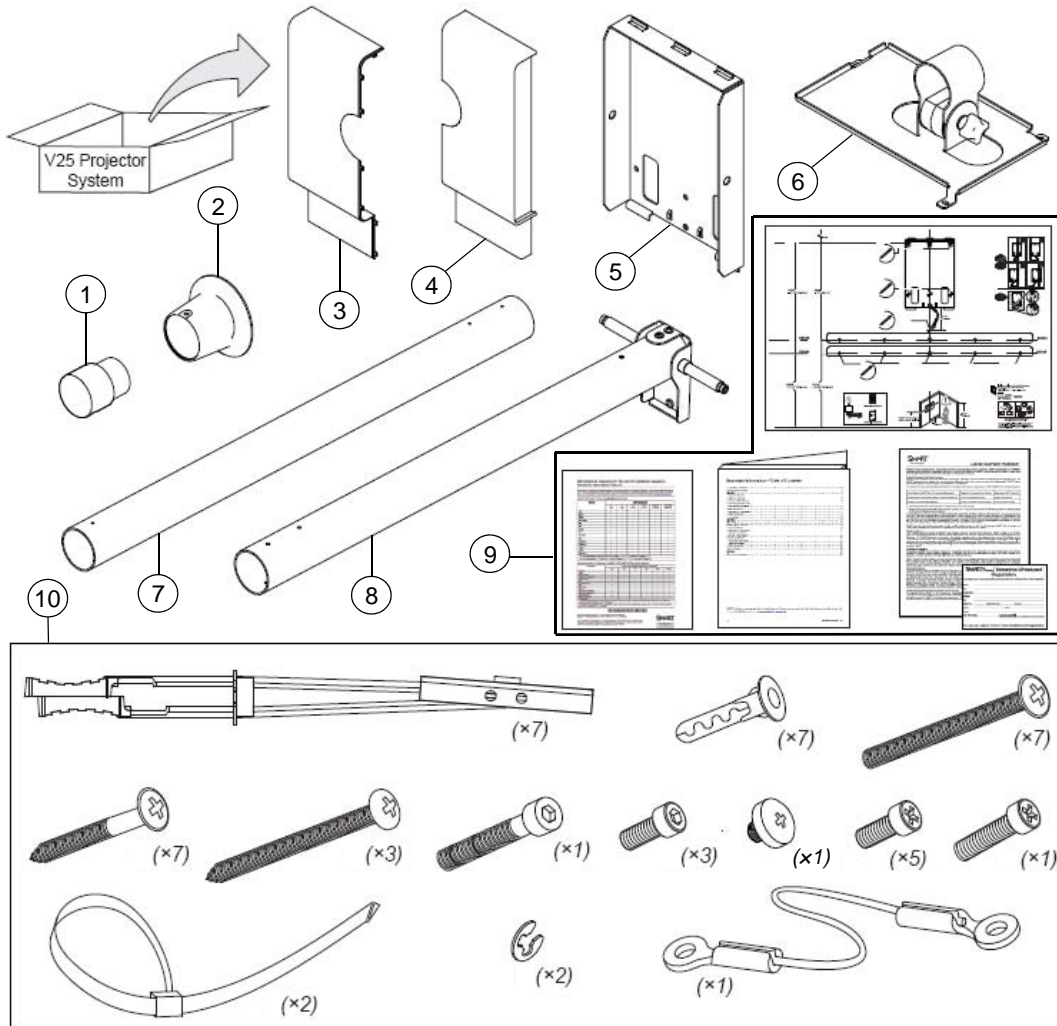
E-mail: serviceparts@smarttech.com
Phone: 1.888.42.SMART
International: +1.403.245.0333

V25 Projector



Item	Part No.	Qty	Description
1	FRU-V25-PJR	1	FRU, V25 projector only NOTE: Includes item 2.
2	03-00131-20	1	Remote control NOTE: Battery (CR-2025) not included with replacement remotes.
3	93-00630-20	1	Cable, power, North America, 14' 9" (4.5 m)
3	93-00632-20	1	Cable, power, United Kingdom, 14' 9" (4.5 m)
3	93-00631-20	1	Cable, power, Europe, 14' 9" (4.5 m)
3	93-00629-20	1	Cable, power, Australia, 14' 9" (4.5 m)
3	93-00634-20	1	Cable, power, Japan, 14' 9" (4.5 m)
3	93-00633-20	1	Cable, power, China, 14' 9" (4.5 m)
3	93-00670-20	1	Cable, power, Korea, 14' 9" (4.5 m)
Not shown	20-01500-20	1	Replacement Lamp for V25 Projector
Not shown	52-00764-20	1	Door, lamp cover, V25 NOTE: Comes attached to the V25 projector.

V25 Mount



Item	Part No.	Qty	Description
1	52-00782-20	1	End cap, boom, V25
2	52-00769-20	1	Boot, boom, V25
3	52-00770-20	1	Cover, wall mount, left, V25
4	52-00771-20	1	Cover, wall mount, right, V25
5	51-00891-20	1	Plate, wall mount, V25
6	20-01402-20	1	Assembly, projector plate, V25
7	51-00902-20	1	Boom, front, V25
8	20-01401-20	1	Assembly, wall boom, V25
9	20-01406-20	1	Assembly, documentation kit, V25
10	20-01405-20	1	Assembly, mounting hardware kit, V25