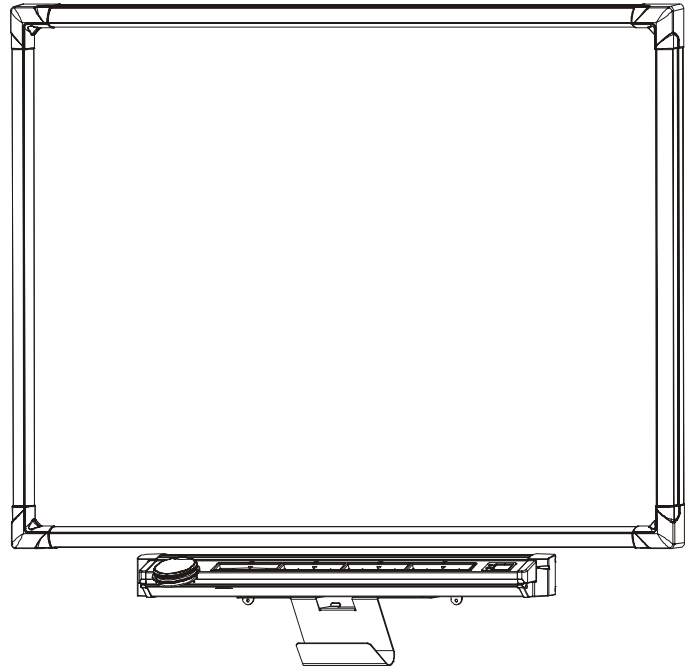


In-Wall Rear Projection
SMART Board™



Service Parts Diagrams

For Model:
WRPSB 1710-DV

Service Parts Diagrams Revision History

Revision 1 - October, 2004

- New document

Revision 2 - December, 2006

- Added new RoHS part numbers.

Revision 3 - June, 2007

- Change 93-00583-20 to 93-00583-21

Revision 4 - July, 2007

- Add reference to R2 serial number

Revision 5 - November, 2009

- Change 60-00035-20 to 60-00051-20

Standard Warranty Terms

Base Product: 2 years

Accessories: 1 year

First Customer Ship: September, 2003

SMART Technologies

3636 Research Road NW

Calgary, AB T2L 1Y1

CANADA

Support +1.403.228.5940 or Toll Free 1.866.518.6791 (Canada/U.S.)

Support Fax +1.403.806.1256

ServiceParts@smarttech.com www.smarttech.com

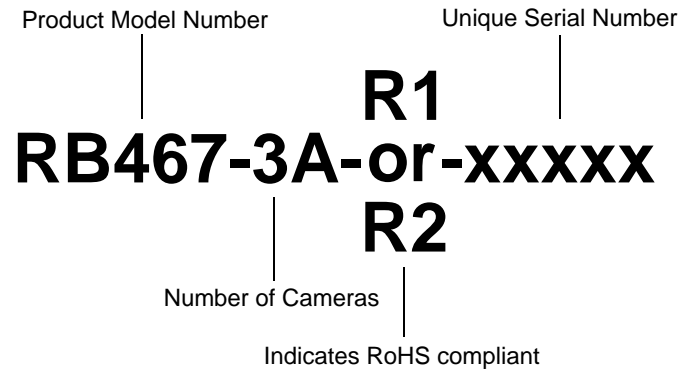
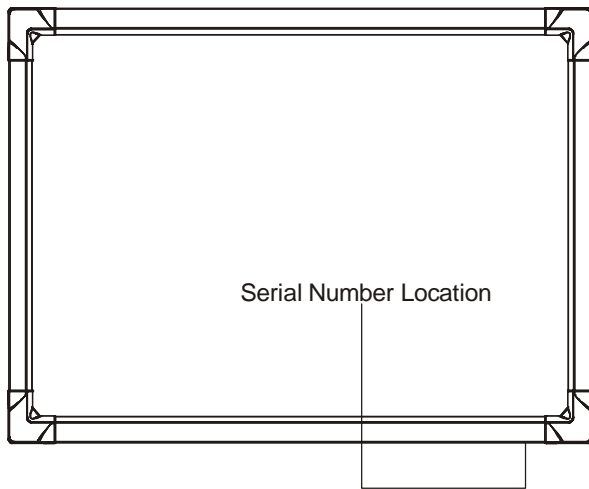


Service Parts Diagrams for the In-Wall *Rear Projection* SMART Board™ 1710-DV Interactive Whiteboard

- Identifying Your Product Using the Serial Number 1
- Ordering Parts 1
- Overview 2
- Front View of Interactive Whiteboard (Part No. FRU-RB467-x) 3
- Rear View of Interactive Whiteboard (Part No. FRU-RB467-x) 4
- Pen Tray (Part No. PT12CW-xx) 5
- Accessory Kit (Part No. AK-00073-21) 6

Identifying Your Product Using the Serial Number

To make sure that you have the correct Service Parts Diagrams, you must verify the serial number of your SMART product. For the In-Wall *Rear Projection* SMART Board 1710-DV interactive whiteboard with DVIT™ technology, the serial number is located on the bottom of the interactive whiteboard, towards the right side, viewed from the front.



For non-RoHS compliant models, the serial number will match this format: RB467-3A-xxxxx.

For RoHS compliant (Europe) models, the serial number will match this format: RB467-3A-R1-xxxxx.

For RoHS compliant (Europe and China) models, the serial number will match this format: RB467-3A-R2-xxxxx.

Your In-Wall *Rear Projection* SMART Board interactive whiteboard may have either three or four cameras. You can determine how many cameras are in your system by the serial number. If the serial number contains "3A", then you have a three-camera system. If the serial number does not contain "3A", then you have a four-camera system (eg. RB467-xxxxx).

Ordering Parts

Customers

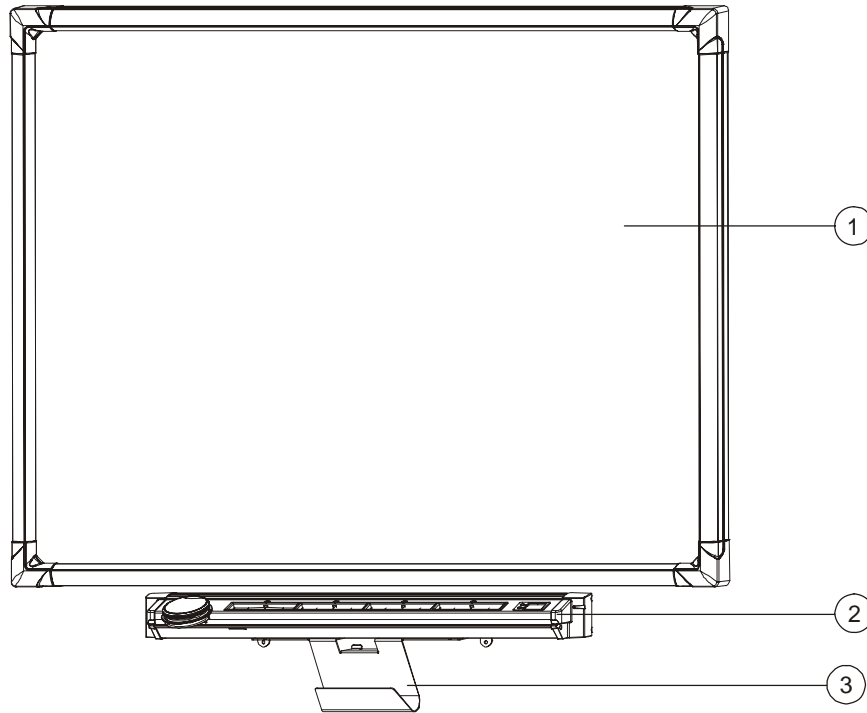
To order any of the parts in these service parts diagrams, contact your local reseller. To find a reseller near you, visit www.smarttech.com/where.

Dealers and Distributors

For specific technical and pricing enquiries in regards to these diagrams please contact our service parts department. Pricing is also available on-line via the SOURCE website (source.smarttech.com).

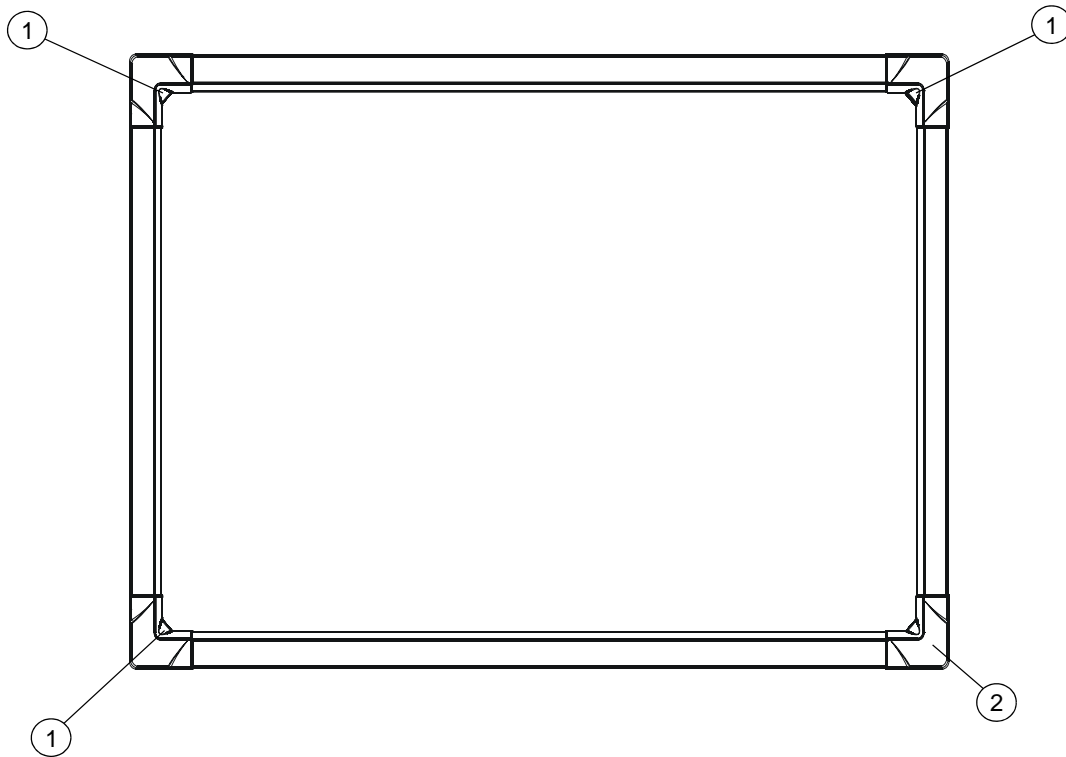
E-mail: serviceparts@smarttech.com
Phone: 1.888.42.SMART
International: +1.403.245.0333

Overview



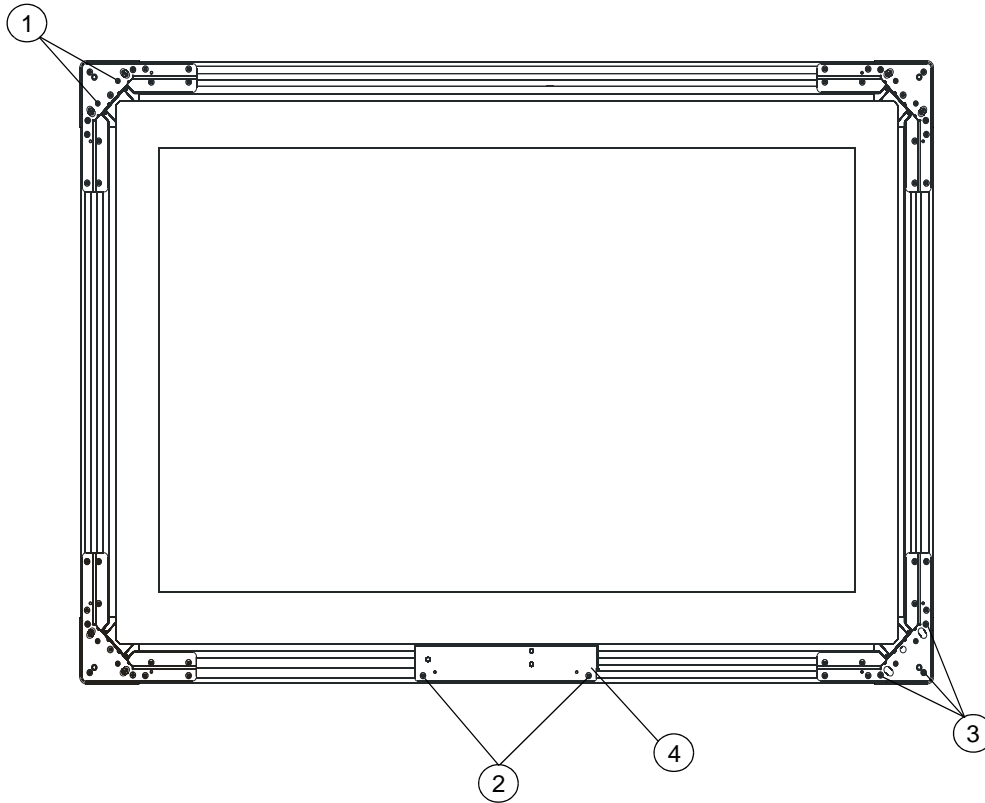
Item	Part No.	Qty	Description
1	FRU-RB467-x	1	FRU, RB467, replacement screen, 67" NOTE: Contact Technical Support for firmware version verification.
2	PT12CW-xx	1	Pen tray, assembly NOTE: Part no. PT12CW-01 for version 3.x firmware, part no. PT12CW-20 for version 4.x firmware. Please contact Technical Support for verification.
3	51-00035-20	1	Bracket, pen tray and keyboard holder NOTE: Included with PT12CW-01 and PT12C-20
Not shown	57-00419-01	1	Packaging, WRPSB 1710-DV NOTE: Order with 57-00432-02 and 57-051-01.
Not shown	57-00432-02	1	Cover, diffusion, WRPSB 1710-DV NOTE: Order with 57-00419-01 and 57-051-01.
Not shown	57-051-01	1	Bag, shipping, WRPSB 1710-DV NOTE: Order with 57-00419-01 and 57-00432-02.
Not shown	WM67-010-00	2	Bracket, wall mount, interactive whiteboard
Not shown	03-00095-20	1	Keyboard, wireless NOTE: For product with a serial number format that contains a "R1" or "R2"
Not shown	03-00042	1	Keyboard, wireless, includes IR sensor NOTE: For product with a serial number format that does not contain "R1" or "R2"
Not shown	AK-00073-21	1	Kit, accessory, in-wall

Front View of Interactive Whiteboard (Part No. FRU-RB467-x)



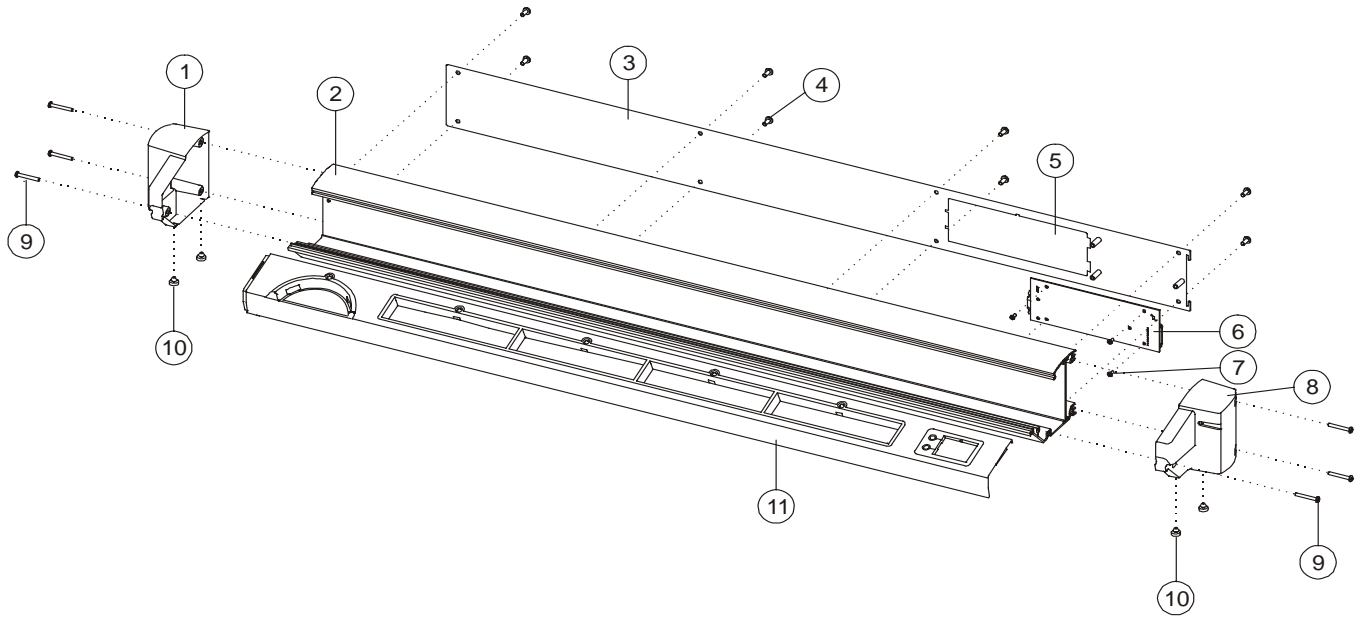
Item	Part No.	Qty	Description
1	FRU-DV-CAMx-y	3	FRU, camera, DVIT NOTE: Call Technical Support for firmware version verification.
2	52-00153-00	4	Corner cap, outer, silver
Not shown	FRU-LED-67	1	FRU, LED replacement strips, all four sides
Not shown	FRU-LED-67L	2	FRU, LED replacement strip, long
Not shown	FRU-LED-67S	2	FRU, LED replacement strip, short
Not shown	93-00425-20	1	Cable, MOD8 to MOD8, 3' 11" (1.2 m) NOTE: Connects the bottom right camera to the hub, viewed from the rear.
Not shown	93-00426-20	1	Cable, MOD8 to MOD8, 4' 11" (1.5 m) NOTE: Connects the top left camera to the hub, viewed from the rear.
Not shown	93-00427-20	1	Cable, MOD8 to MOD8, 7' 5" (2.3 m) NOTE: Connects the top right camera to the hub, viewed from the rear.

Rear View of Interactive Whiteboard (Part No. FRU-RB467-x)



Item	Part No.	Qty	Description
1	30-00885	8	Screw, 8-32 x 3/8", Phillips, flat head, undercut NOTE: For attaching cameras.
2	30-00653-20	2	Screw, 10-32 x 3/8", square recess, flat head NOTE: For attaching hub.
3	30-00719-20	12	Screw, No. 10 x 3/4", Phillips, flat head, for plastics NOTE: For attaching corner caps.
4	FRU-DV-HUB1	1	FRU, hub, assembly

Pen Tray (Part No. PT12CW-xx)



Item	Part No.	Qty	Description
1	52-00003-02	1	End cap, pen tray, left, silver
2	51-00262-00	1	Extrusion, pen tray, silver
3	51-00127-20	1	Back plate, pen tray
4	30-419	8	Screw, 8-32 x 1/4", Phillips, pan head NOTE: For attaching pen tray back plate.
5	52-0002-00	1	Grommet, cable
6	FRU-DV-SC8-x	1	FRU, replacement serial controller NOTE: Call Technical Support for firmware version verification.
7	30-00731-20	3	Screw, 4-40 x 1/4", Phillips, pan head NOTE: For attaching serial controller.
8	52-00004-02	1	End cap, pen tray, right, silver
9	30-00446-20	6	Screw, 6-32 x 3/8", Phillips, pan head NOTE: For attaching pen tray end caps.
10	30-457	4	Bumper, rubber, black
11	FRU-PT10-SILVER	1	FRU, pen tray, silver NOTE: Controller not included.
Not shown	93-00594-20	1	Cable, ribbon, 13 1/2" (34 cm), pen tray to controller
Not shown	03-00096-20	1	Receiver, IR, wireless keyboard NOTE: For product with serial number format that contains "R1" or "R2"
Not shown	51-00035-20	1	Bracket, pen tray and keyboard holder
Not shown	30-00421-20	4	Screw, 1/4"-20 x 3/8", Phillips, round head NOTE: Attaches pen tray to pen tray bracket.

Accessory Kit (Part No. AK-00073-21)

Part No.	Qty	Description
30-00122-20	5	Anchor, self drilling, drywall NOTE: For installing the pen tray.
30-369	5	Screw, No. 8 × 1 1/4", Phillips, AB, truss head NOTE: For installing the pen tray.
52-0015-00	2	Grommet, cable
60-00051-20	1	Power supply, 12V DC, 5.0A, universal switching
93-00370-20	1	Cable, MOD8 to MOD8, 3'3" (99 cm), hub to controller
93-00583-21	1	Cable, USB, DB9 female to USB, 25' (7.6 m) NOTE: Does not provide power.
ERA-003	1	Small eraser, comes with eraser barrier
RPEN	1	Pens - set of four (Black, Red, Blue, Green). Refer to product price list.
WM-00050-20	1	Kit, hardware, for wall mount brackets
93-068-00	2	Cable, extension, PS/2 male to PS/2 female, 6' (1.8 m)