


Addendum to the Actalyst™ Interactive Digital Signage Installation and User's Guide

This addendum contains information about the Actalyst Interactive Overlay that has changed since the release of the *Actalyst Interactive Digital Signage Installation and User's Guide*.

IMPORTANT  The items you receive vary depending on which brackets are appropriate for your flat-panel display. If you receive four corner brackets, refer to the *Actalyst Interactive Digital Signage Installation and User's Guide* and ignore this addendum.

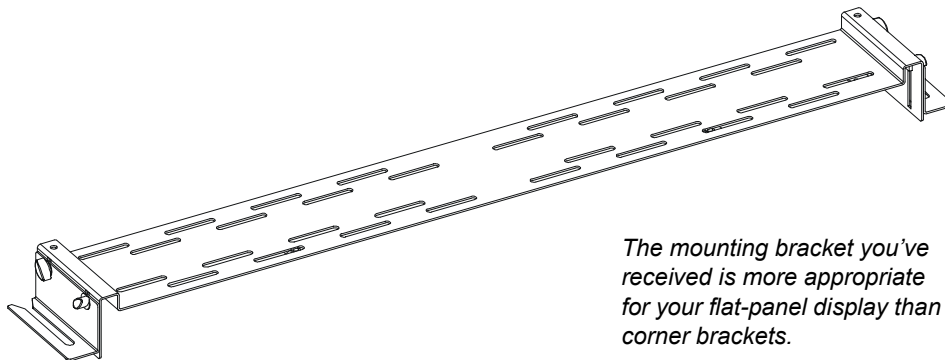
However, if you receive a mounting bracket, use the information on the following pages instead of the information in the *Actalyst Interactive Digital Signage Installation and User's Guide*.

This addendum includes:

- a list of the components of your Actalyst Interactive Overlay
- installation instructions for your Actalyst Interactive Overlay

Unpacking and Checking Components of the Actalyst Interactive Overlay

The components you've received differ from those listed on Page 3 of the *Interactive Digital Signage Installation and User's Guide* and are more appropriate for your flat-panel display.



The mounting bracket you've received is more appropriate for your flat-panel display than corner brackets.

Unpack the shipping container and check each item against the list below. If any items are missing, contact SMART Technical Support. The components include:

- the overlay
- the mounting bracket (center section, two hanger brackets, two adjustment handles, four t-handles, two security cables, two security screws, a security hex key, four carriage bolts, eight washers and eight spacing pads)
- a controller and two thumbscrews
- a modular 8-wire (MOD8) cable with RJ45 connectors
- a power supply and a 6' (1.8 m) country-specific power cable
- a 21'6" (6.5 m) SMART USB adapter cable

NOTE: If your computer doesn't have a USB port, you may order an optional 20' (6.1 m) straight-through DB9-to-DB9 serial cable from SMART Technologies. To do this, contact SMART Technical Support.

- Limited Equipment Warranty, registration card and the *Actalyst Interactive Digital Signage Installation and User's Guide*
- an Actalyst software CD

NOTE: The Actalyst software CD contains a modified SMART Board driver (with only touch control) and a Help file. It *does not include* SMART Notebook software, Floating Tools, SMART Video Player, SMART Recorder or SMART Keyboard.

Installing an Actalyst Interactive Overlay

NOTE: Although most of the installation instructions included in the *Actalyst Interactive Digital Signage Installation and User's Guide* are still valid, this addendum includes the complete installation instructions for your convenience.

To install your Actalyst interactive overlay, you must:

1. prepare the overlay for installation (page 2)
2. mount the overlay on the flat-panel display (page 4)
3. attach the controller (page 14)
4. complete the installation (page 16)

CAUTION



Before you mount the flat-panel display and the Actalyst interactive overlay onto a stand or wall mount, make sure that the combined weight does not exceed the maximum weight specified by the manufacturer of the stand or wall mount.

To calculate the combined weight, add the weight of the flat-panel display (this weight should be stated in the user's guide for the flat-panel display) to the weight of the overlay (this weight is stated in the Support section of www.smarttech.com on the product-specific Specifications page).

Also, if the flat-panel display and the overlay are mounted onto a wall, the wall itself must be strong enough to support the combined weight.

To prepare the overlay for installation

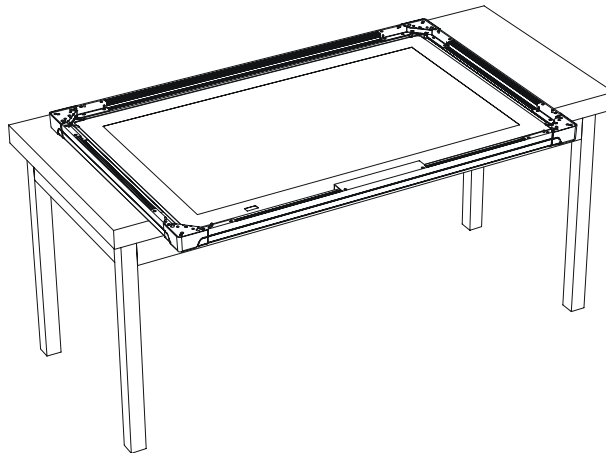
TIP



During the installation, you will need sufficient room on flat surfaces for both a facedown flat-panel display and a facedown overlay. Clear sufficient space for yourself before you begin the installation.

1. If your flat-panel display is already installed, check that the flat-panel display and its wall mount or stand still have all of their hardware, including their screws and bolts.
2. Unpack the components of the Actalyst interactive overlay from the packaging.

3. Place the overlay facedown on a flat surface.

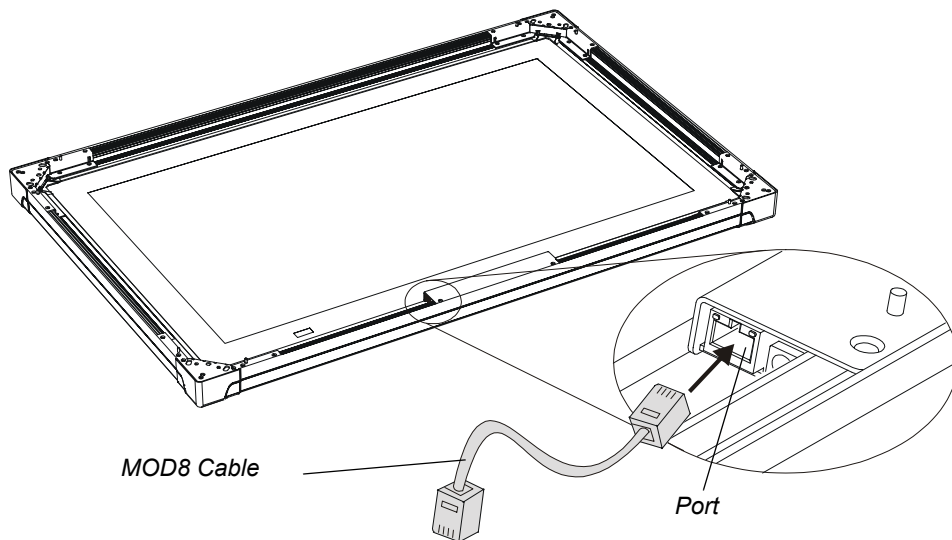


CAUTION

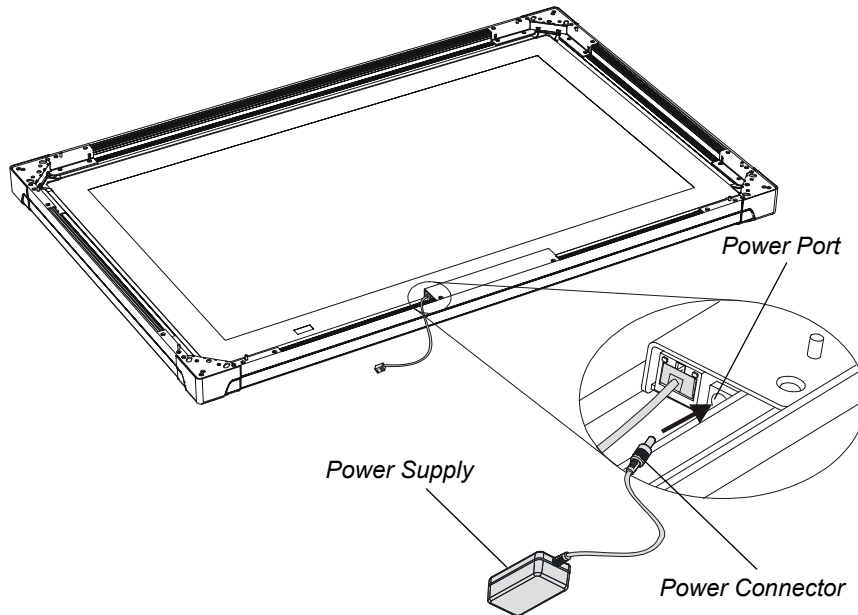


You may need two people to move the overlay.

4. Connect one end of the MOD8 cable to the corresponding port on the back of the overlay. You'll connect the other end later.



5. Connect the power supply connector to the overlay.



NOTE: The power supply connector does not go all the way in.

To mount the overlay on a flat-panel display using a mounting bracket

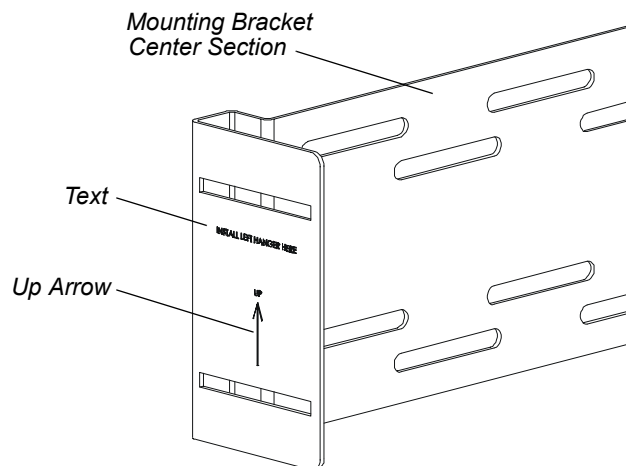
CAUTION



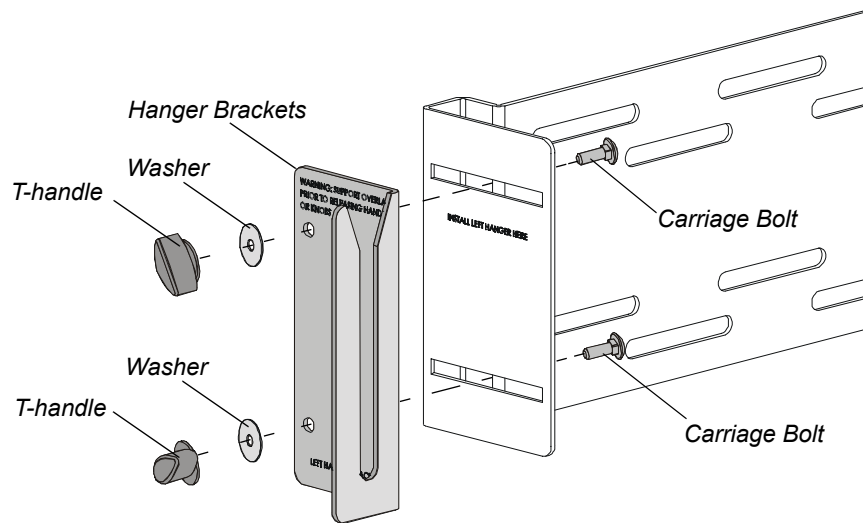
You'll need assistance for several of the steps in this procedure.

NOTE: Take a moment to look at the text and the arrows on the center section of the mounting bracket.

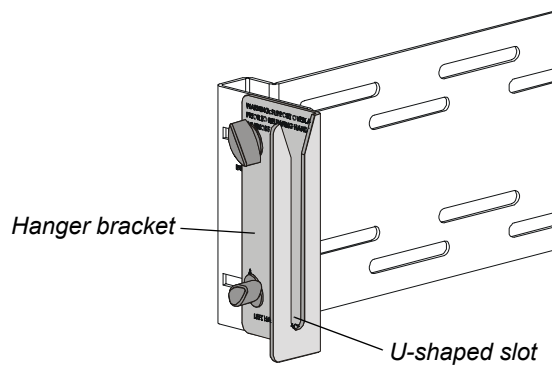
1. Place the center section of the mounting bracket on a flat surface with the arrows pointing up and the text "Install Left Hanger Here" on your left.



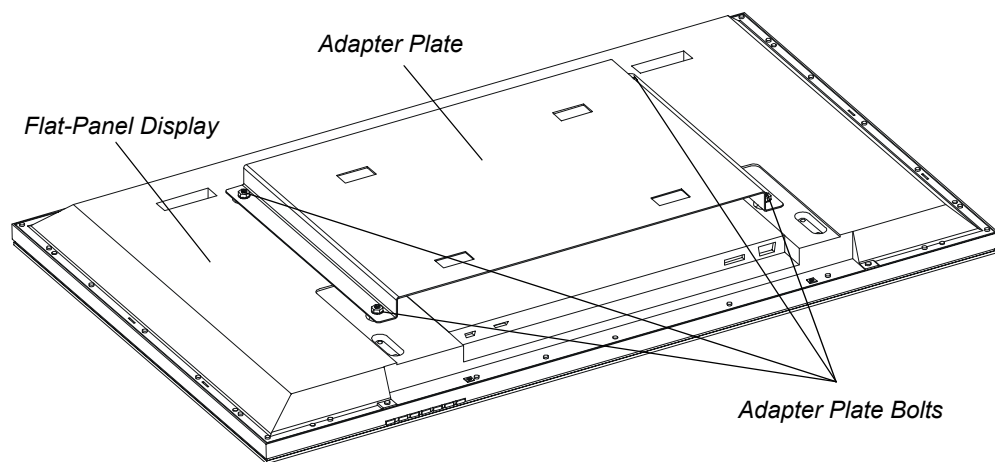
2. Attach the left hanger bracket to the left side of the center section of the mounting bracket using t-handles, washers and carriage bolts.



NOTE: When you install a hanger bracket, make sure the U-shaped slot opens at the top of the bracket.



3. Attach the second hanger bracket in the same way.
4. With the assistance of another person, carefully remove the flat-panel display from the wall mount or the stand, and place it facedown on a flat surface.

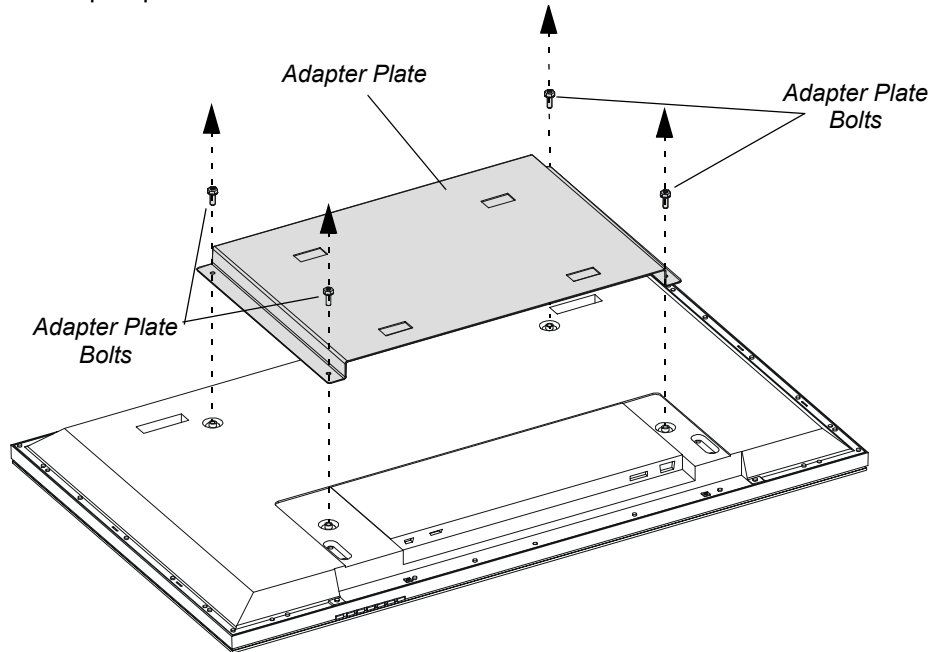


NOTE: The appearance of your flat-panel display and its adapter plate may vary from the diagrams shown in this section. In addition, the number of bolts attaching the adapter plate to your flat-panel display may be four, six or eight. Some of the figures in this section show four adapter plate bolts and some show six, but the same steps are required regardless of the number of bolts.

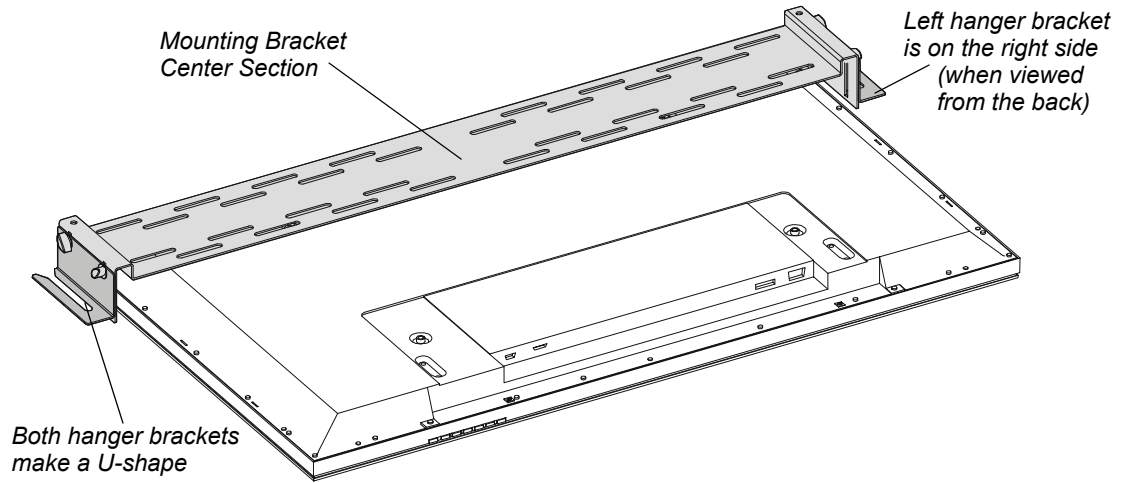
5. Remove the bolts that attach the adapter plate to the back of the flat-panel display. Put the bolts in a safe place, as you'll use them later to reattach the adapter plate.

NOTE: The bolt type varies between different flat-panel displays. You may have received an appropriate tool for removing these bolts with your flat-panel display.

6. Remove the adapter plate.



7. Place the mounting bracket over the flat-panel display *with the left hanger bracket on your right side*. The left bracket goes on your right because you are looking at the back of the flat-panel display. The hanger brackets should face towards the table surface so that the horizontal section of each bracket makes a U-shape, as shown in the figure below.



CAUTION



If the mounting bracket is mistakenly installed upside-down, the hanger brackets won't be able to support an overlay and the installation will be unsafe.

8. Using the supplied template as a guide, align the slotted holes in the mounting bracket with the adapter plate bolt holes in the flat-panel display.

IMPORTANT



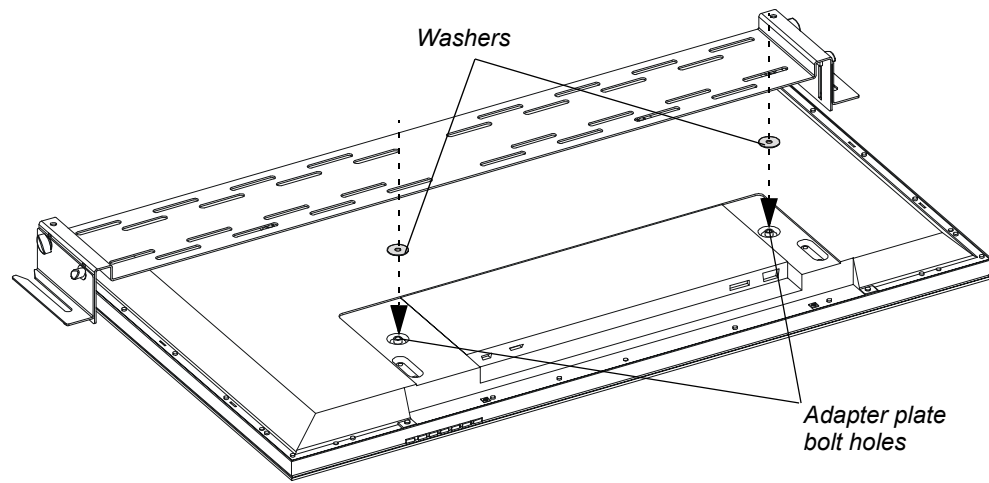
It's important to obtain the best possible alignment before mounting either the flat-panel display or the overlay. After you mount the overlay, you will be limited in how much you can move the overlay relative to the flat-panel display. If the overlay is aligned poorly, it will obscure some of the flat-panel display's screen.

CAUTION

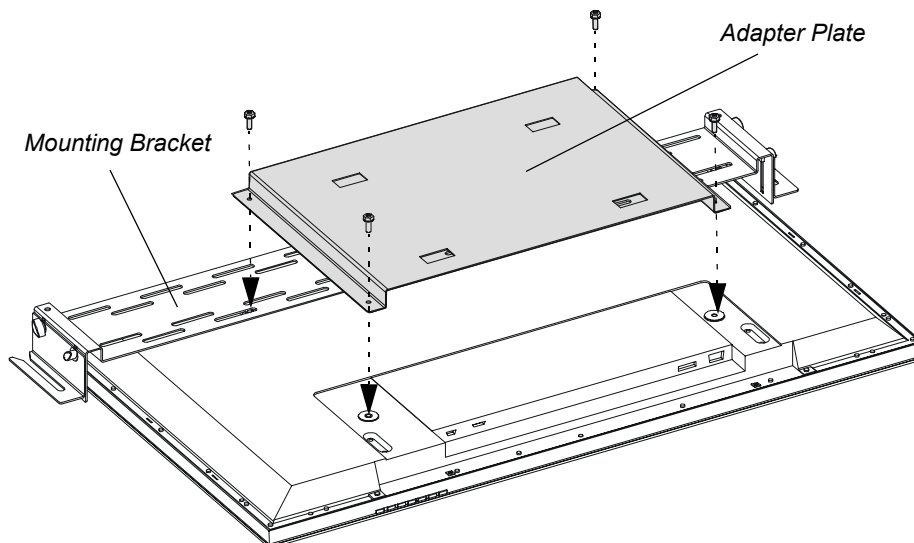


Try not to position the mounting bracket over the flat-panel display's cooling vents. Blocking these vents could cause overheating and damage to the display.

9. Add a supplied washer to each of the exposed adapter plate bolt holes (except for the two holes covered by the mounting bracket). The washers compensate for the thickness of the mounting bracket.

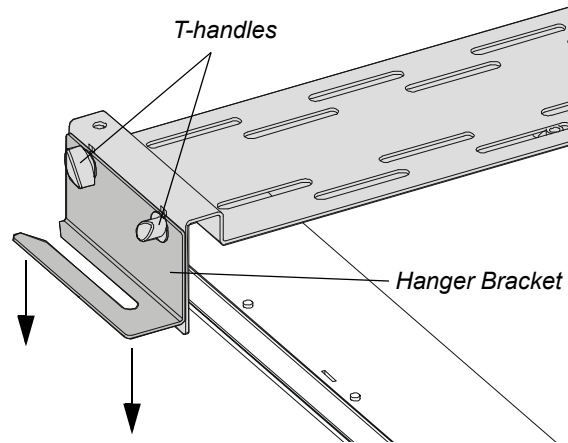


10. Attach the adapter plate over the mounting bracket and the washers using the bolts you removed in step 5.



NOTE: The bolt type varies between different flat-panel displays. You may have received an appropriate tool for attaching these bolts to your flat-panel display.

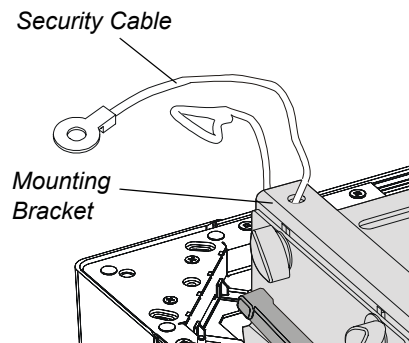
11. Loosen the t-handles on the hanger brackets. Push these brackets towards the table surface, and then tighten the t-handles.



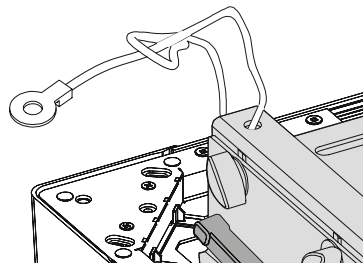
Optional Security Procedure

If you want an additional level of security, you can install two security cables.

- i. Loop the cable through the hole in the center section of the mounting bracket.



- ii. Loop the cable through itself.



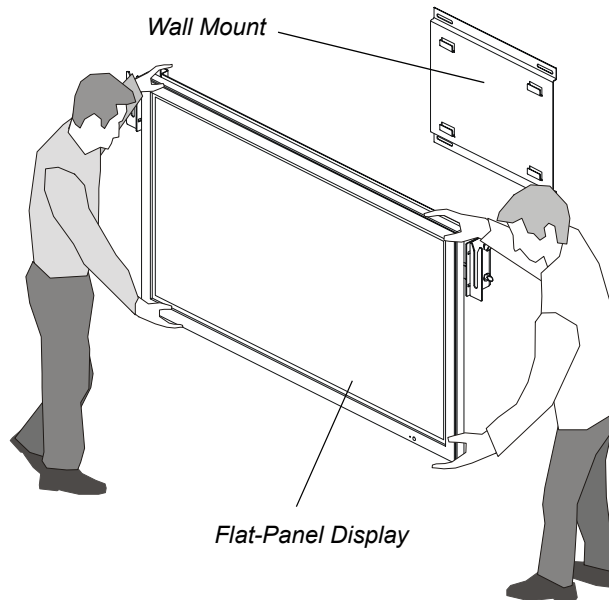
- iii. Attach a second security cable in the same way.
You'll complete the second half of this security procedure later.

12. With the assistance of another person, mount the flat-panel display onto a wall mount or onto a stand.

CAUTION



Do not lift the flat-panel display by the mounting bracket.



NOTE: Your wall mount may appear different from the one illustrated.

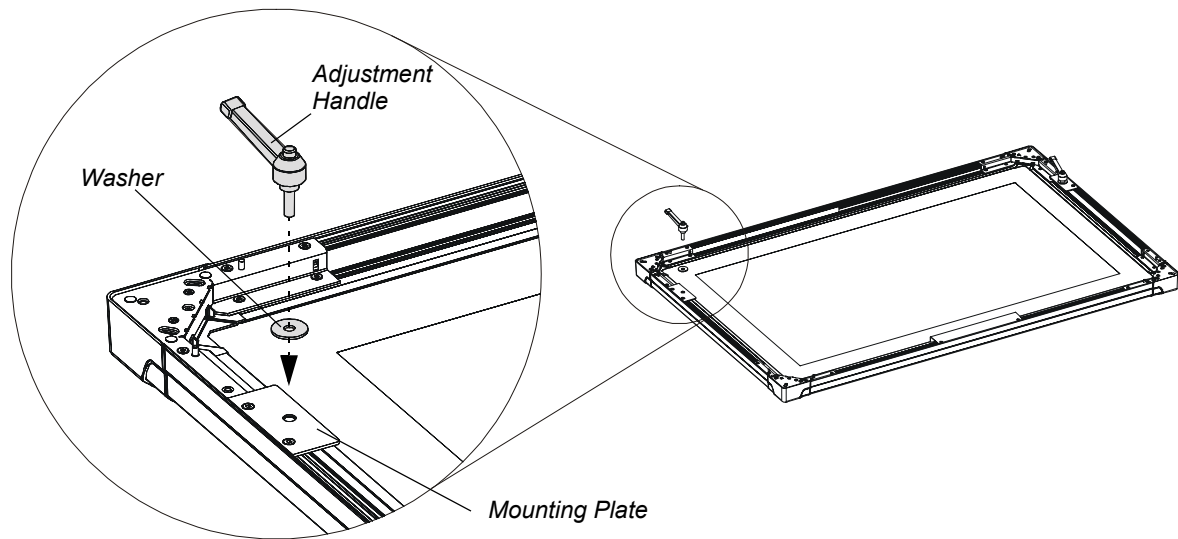
13. If your flat-panel display has removable handles, remove them to make the installation of the overlay easier.
14. If there is anything protruding from the front of the flat-panel display that could potentially scratch the overlay once it is mounted (for example, a manufacturer's name or logo), consider covering this with one of the provided spacing pads.

IMPORTANT

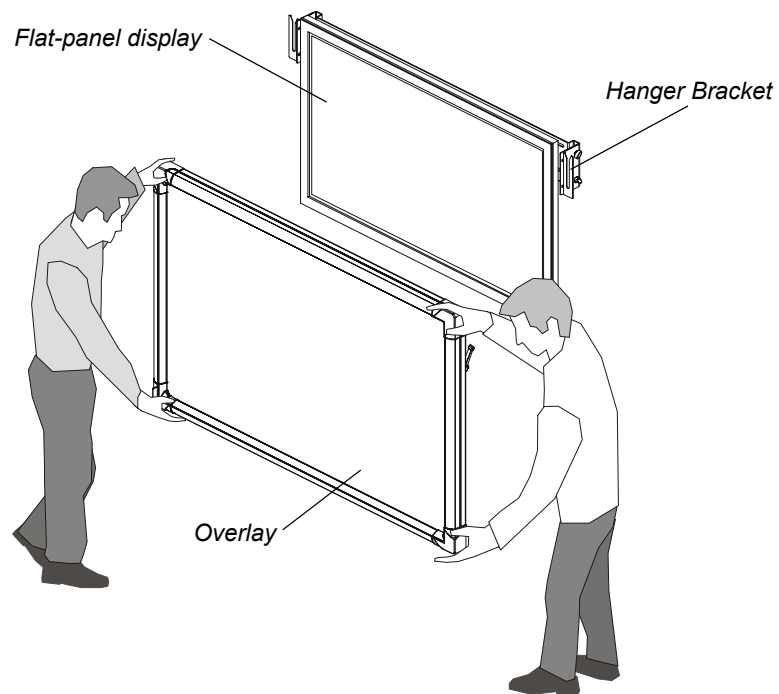


In the next step, you'll attach two adjustment handles to the overlay. However, take a moment to familiarize yourself with how to tighten and loosen these handles *before you attach them*.

15. Attach a washer and an adjustment handle to the overlay's two mounting plates, leaving approximately 1/4" (0.6 cm) of space between the washer and the mounting plate.



16. With the assistance of another person, mount the overlay onto the flat-panel display by sliding the adjustment handles into the u-shaped slots in the hanger brackets.

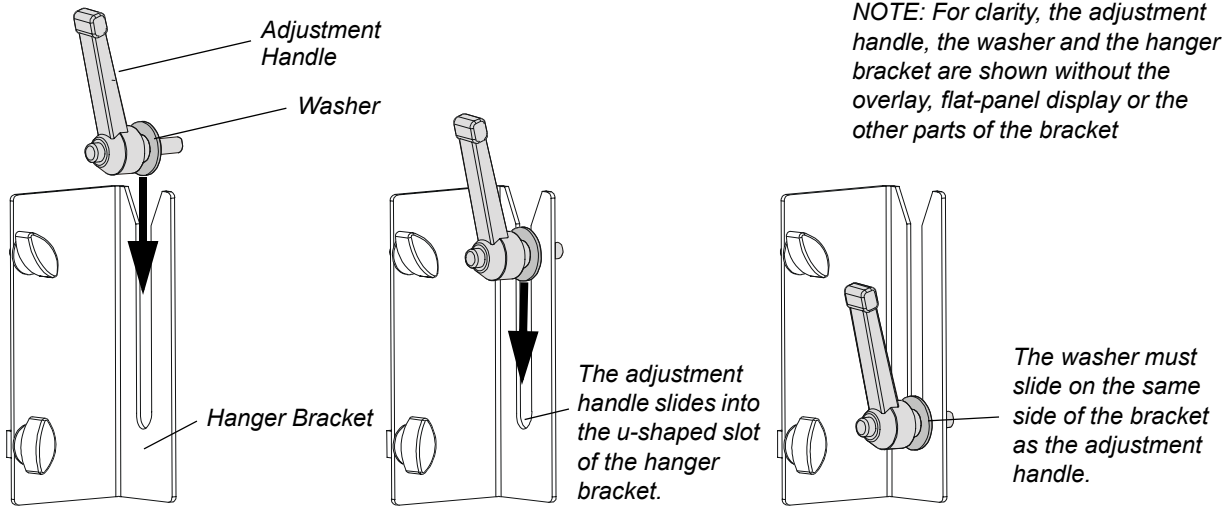


CAUTION



Be careful not to step on any of the cables attached to the overlay.

NOTE: The adjustment handle *and the washer* must slide behind the hanger brackets. Ensure the handles are aligned with the U-shaped slots in the hanger brackets, and temporarily tighten the handles.

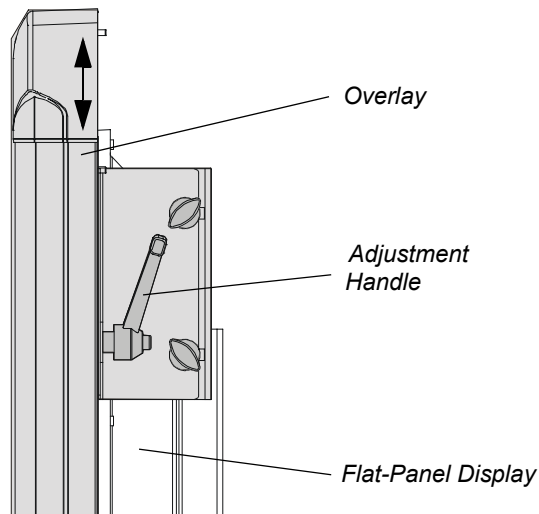


CAUTION

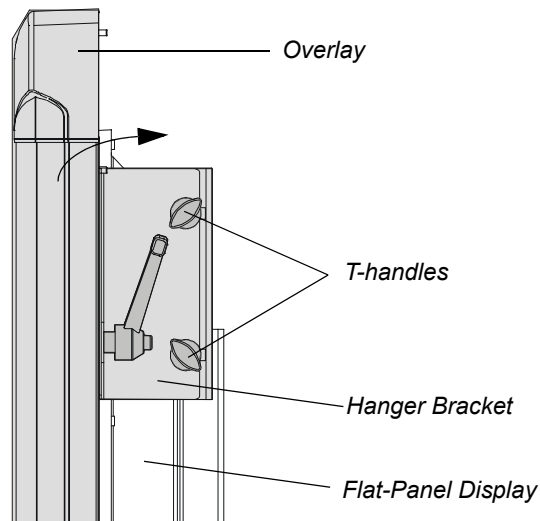


Take care when mounting and then positioning the overlay. The rear of the overlay may be scratched if it is held tight to the flat-panel display and then moved in any direction.

17. With the assistance of another person, and while supporting the overlay, loosen both adjustment handles, vertically adjust the overlay so that you can see *most* of the flat-panel display's screen, and then tighten the handles. You will vertically adjust the overlay more accurately in step 19.



18. With the assistance of another person, and while supporting the overlay, loosen the t-handles on the hanger brackets, carefully slide the overlay toward the flat-panel display so that the glass rests against the flat-panel display, and then tighten the t-handles.

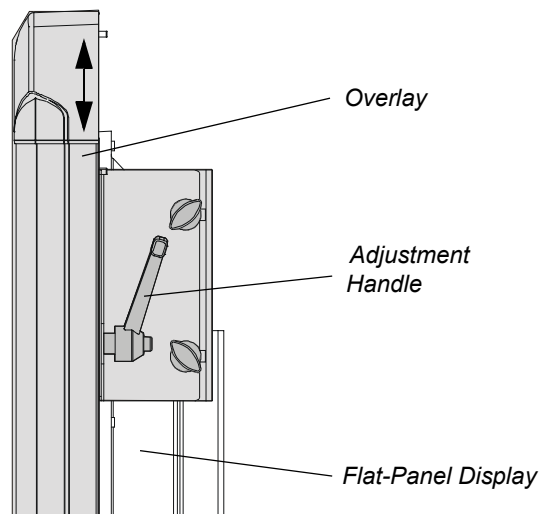


CAUTION



You could damage the hanger bracket if you push the overlay forward with too much force. Support the back of the hanger bracket when you slide the overlay towards it. If this is not possible, slide the overlay as carefully as you can.

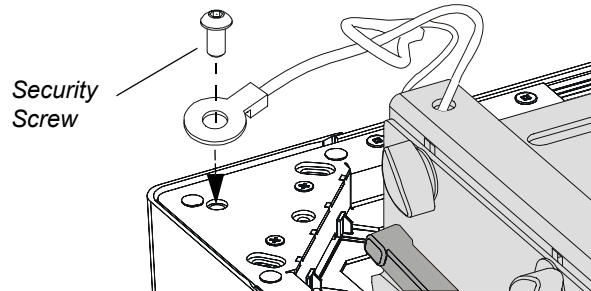
19. With the assistance of another person, and while supporting the overlay, loosen both adjustment handles, vertically adjust the overlay so that you can see *all* of the flat-panel display's screen, and then tighten the handles.



Optional Security Procedure

If you installed two security cables to the mounting bracket, complete the procedure by doing the following.

- i. Fasten the security cable to the corner of the overlay with a security screw using the provided security hex key.



- ii. Fasten the second security cable in the same way.



TIP

If you ever uninstall the overlay, position the adjustment handles so they're facing directly upwards as you lift the overlay out of the hanger brackets. This prevents the handles from catching on the hanger bracket or the t-handles as you move the overlay.

To attach the controller

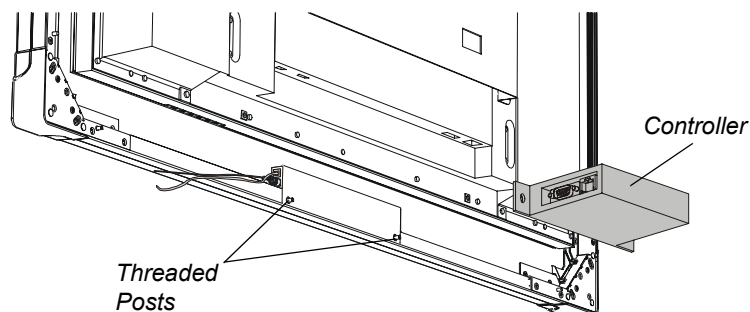
CAUTION



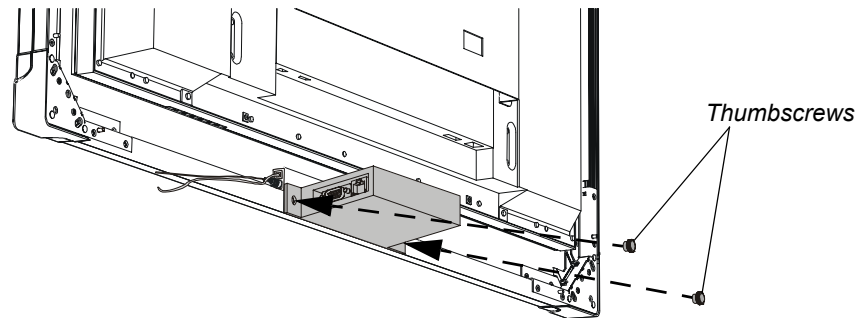
Do not connect the overlay to the computer until after you've installed Actalyst software. For more information, see page 5 of the *Actalyst Interactive Digital Signage Installation and User's Guide*.

NOTE: Depending upon where and how the overlay is mounted, you may need to perform some of the following steps by touch due to reduced visibility.

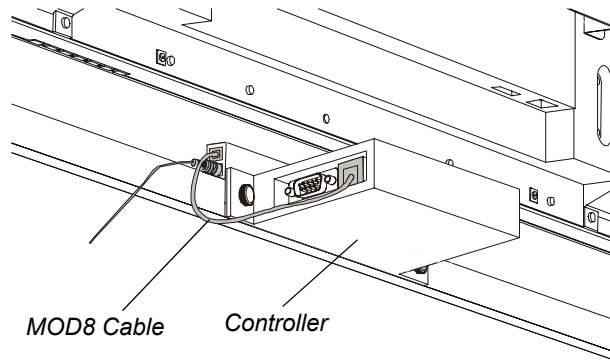
1. Remove the two thumbscrews in the bottom center of the back of the overlay. You will need these thumbscrews for the next step. *Do not remove any of the thumbscrews that you attached to the corner brackets earlier in the installation.*
2. Slide the holes in the controller over the threaded posts on the overlay.



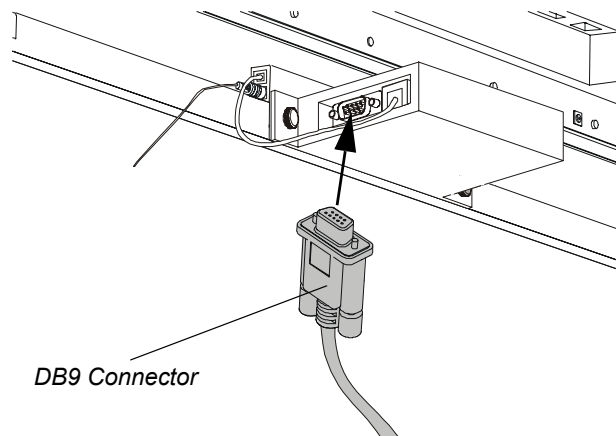
3. Attach the thumbscrews that you removed in step 1 to the threaded posts to hold the controller to the overlay.



4. Connect the MOD8 cable to the controller. You connected the other end of the same cable to the back of the overlay earlier.



5. Connect the DB9 end of the SMART USB adapter cable to the controller. You'll connect the other end of this cable to your computer when you complete the installation.



OR

If you ordered a straight-through DB9-to-DB9 serial cable with your interactive overlay, connect one end to the controller. You'll connect the other end of this cable to your computer when you complete the installation.

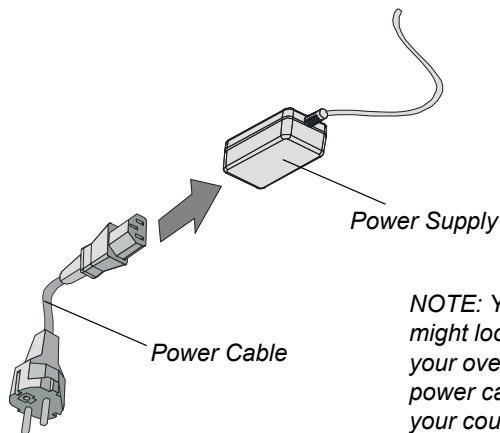
NOTE: You can order a straight-through DB9-to-DB9 serial cable from SMART Technologies. To do this, contact SMART Technical Support.

OR

If you ordered the WC2 Wireless Serial Adapter (Part No. WC2-NA) with your interactive overlay, connect one radio to the controller. You'll connect the second radio to your computer later.

To complete the installation

1. Connect the power cable to both the power supply and a wall outlet.



NOTE: Your power cable might look different because your overlay comes with a power cable that works with your country's power outlets.

2. Connect the SMART USB adapter cable to a USB port on your computer. Earlier, you connected the other end of this cable to the controller.

OR

If you ordered a straight-through DB9-to-DB9 serial cable with your interactive overlay, connect it to an available serial port on your computer. Earlier, you connected the other end of this cable to the controller.

NOTE: You can order a straight-through DB9-to-DB9 serial cable from SMART Technologies. To do this, contact SMART Technical Support.

OR

If you're using the WC2 Wireless Serial Adapter (Part No. WC2-NA), connect the second radio to your computer by following the instructions that came with the kit.

SMART Technologies Inc.
1207 – 11 Avenue SW, Suite 300
Calgary, AB T3C 0M5
CANADA
Support +1.403.228.5940 or Toll Free 1.866.518.6791 (Canada/U.S.)
Support Fax +1.403.806.1256
support@smarttech.com www.smarttech.com

SMART[™]
Technologies

© 2004–2005 SMART Technologies Inc. All rights reserved. SMART Board, Actalyst and the SMART logo are trademarks of SMART Technologies Inc. All other third-party product and company names may be trademarks of their respective owners. Contents are subject to change without notice. 06/2005.

99-00649-00 Rev A0