

# Installing a Frame on an Actalyst™ Interactive Overlay

This kit contains:

- a Frame for an Actalyst interactive overlay

Tools required (but not included):

- Flathead screwdriver

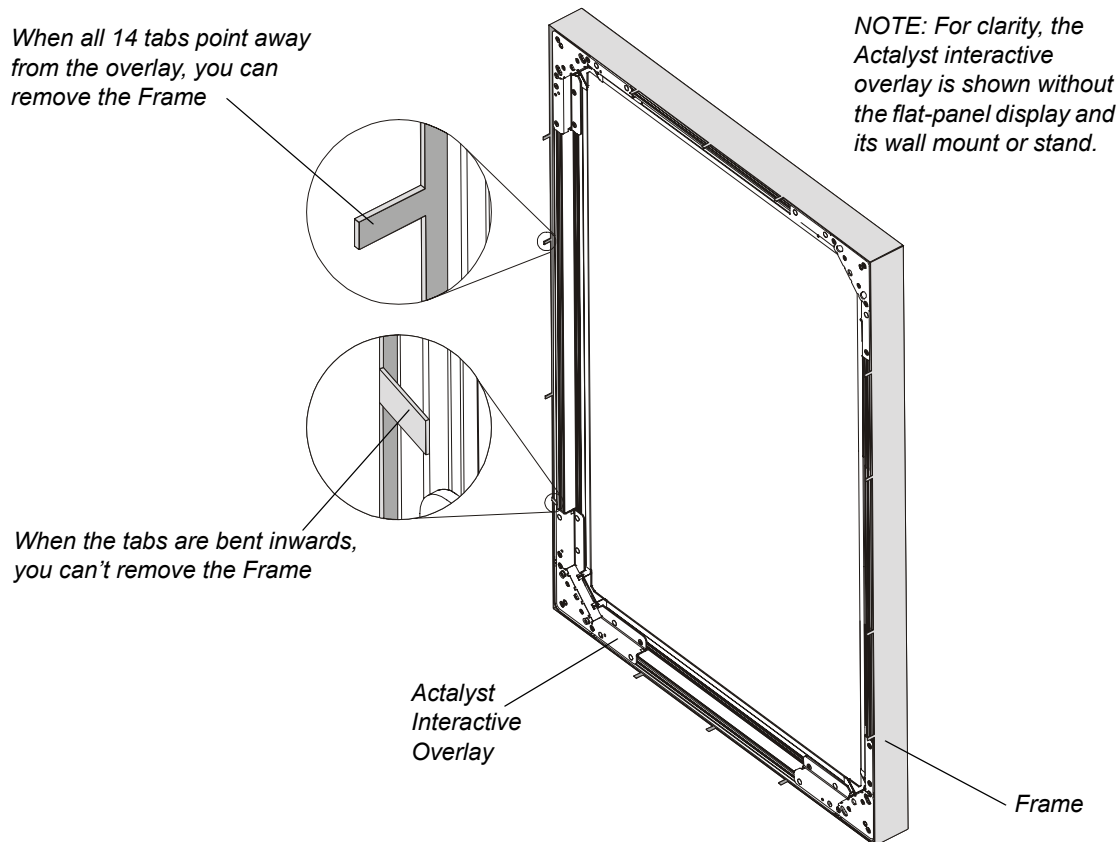
These instructions show you how to:

- install a Frame on an Actalyst interactive overlay
- remove a Frame from an Actalyst interactive overlay

**NOTE:** Although some of the figures in this document show the Frame and the Actalyst interactive overlay in portrait mode, the following information is valid for both portrait and landscape mode.

## Introduction

When you attach the Frame to the overlay, you can secure it in position by bending the Frame's 14 tabs with a screwdriver.



## Installing the Frame

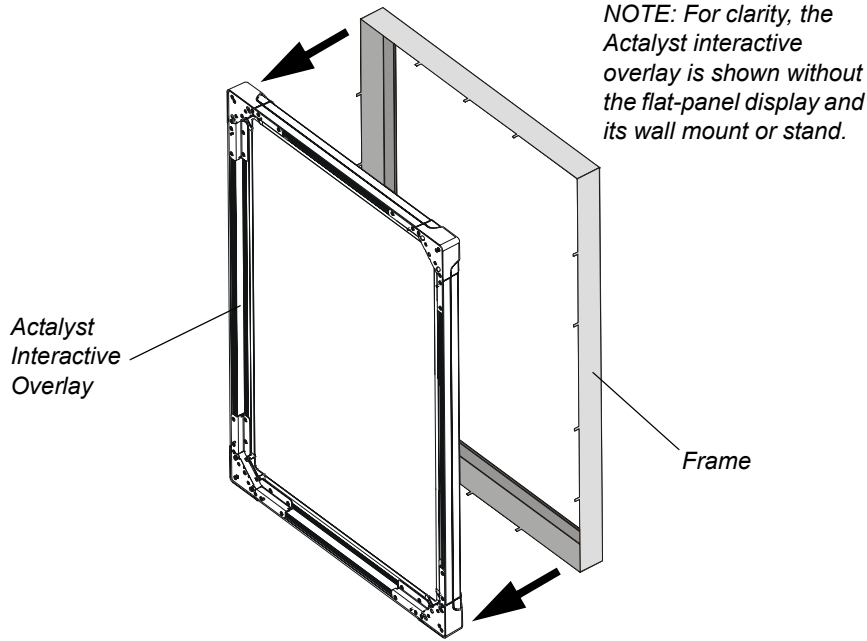
The method for installing the Frame varies depending upon whether you have access to the Frame's tabs when it is mounted on the Actalyst interactive overlay:

- If you have access to the tabs, complete the procedure on page 2.
- If you don't have access to the tabs (for example, if the back of the overlay is against a wall) complete the procedure on page 3.

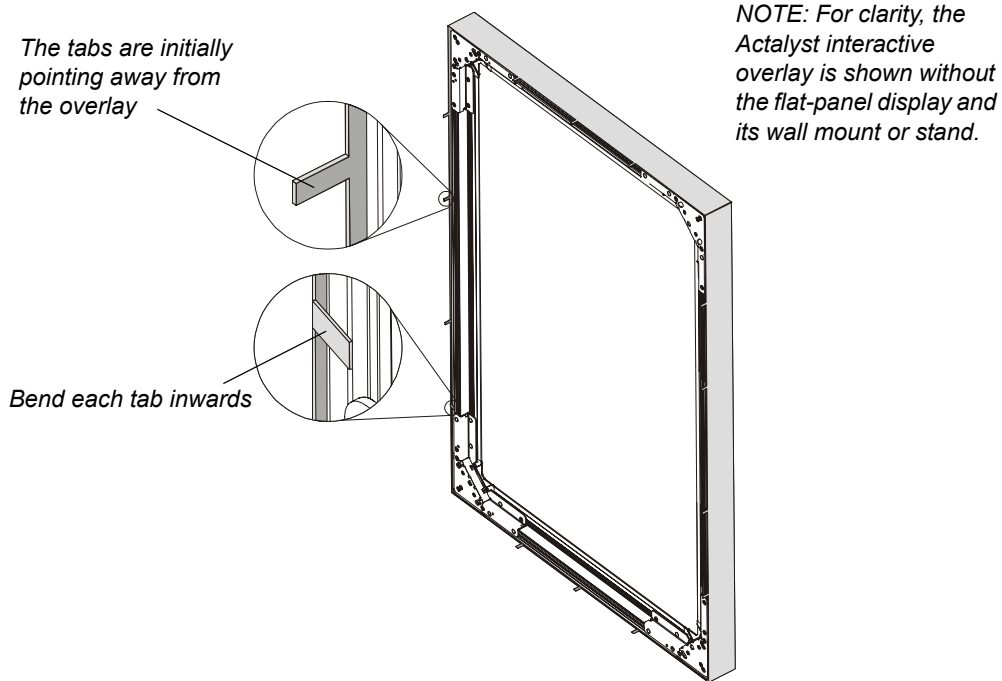
**NOTE:** If possible, install the Frame without removing the overlay from the flat-panel display, as this method is quicker.

**To install the Frame without removing the Actalyst interactive overlay from the flat-panel display**

1. Check that none of the Frame's tabs bend even slightly inwards. If they do, they could scratch the overlay as you install the Frame.
2. Lift the Frame onto the Actalyst interactive overlay.



3. Using the handle of a screwdriver, or a similar instrument, bend all of the tabs inwards.



**NOTE:** Bend the tabs as far as they will go to ensure a tight fit for the frame.

**CAUTION**

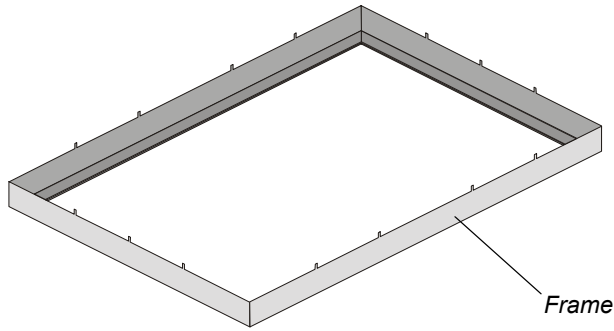


Do not use a hammer to bend the tabs, as it may deform the tabs and could potentially damage the overlay.

**NOTE:** If you don't have enough access to the tabs to bend them, you'll have to uninstall the overlay (page 3).

**To install the Frame by removing the Actalyst interactive overlay from the flat-panel display**

1. Place the Frame on a flat surface with the tabs facing directly upwards.



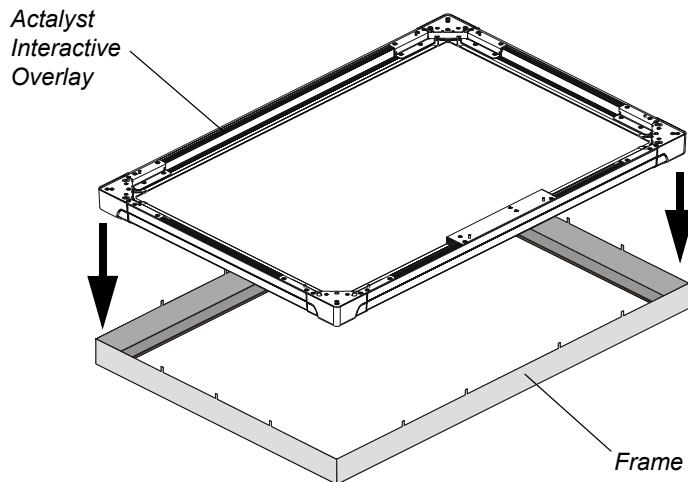
2. Check that none of the Frame's tabs bend even slightly inwards. If they do, they could scratch the overlay as you place the overlay into the Frame.

**CAUTION**

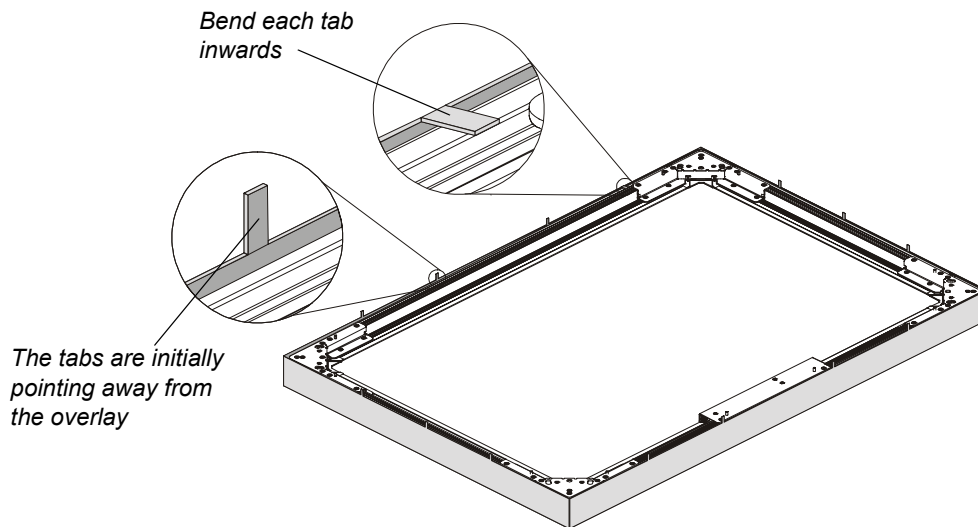


You only need to bend the tabs far enough to ensure that the tabs will not scratch the overlay as you place the overlay into the Frame. If you bend them beyond this point, you may cause unnecessary wear and tear to the tabs.

3. Remove the Actalyst interactive overlay from the flat-panel display.
4. Place the overlay into the Frame.



- Using the handle of a screwdriver, or a similar instrument, bend all of the tabs inwards.



**CAUTION**



Do not use a hammer to bend the tabs, as it may deform the tabs and could potentially damage the overlay.

**NOTE:** Bend the tabs as far as they will go to ensure a tight fit for the frame.

- Mount the overlay onto the flat-panel display. For further information, see the installation guide.

## Removing the Frame

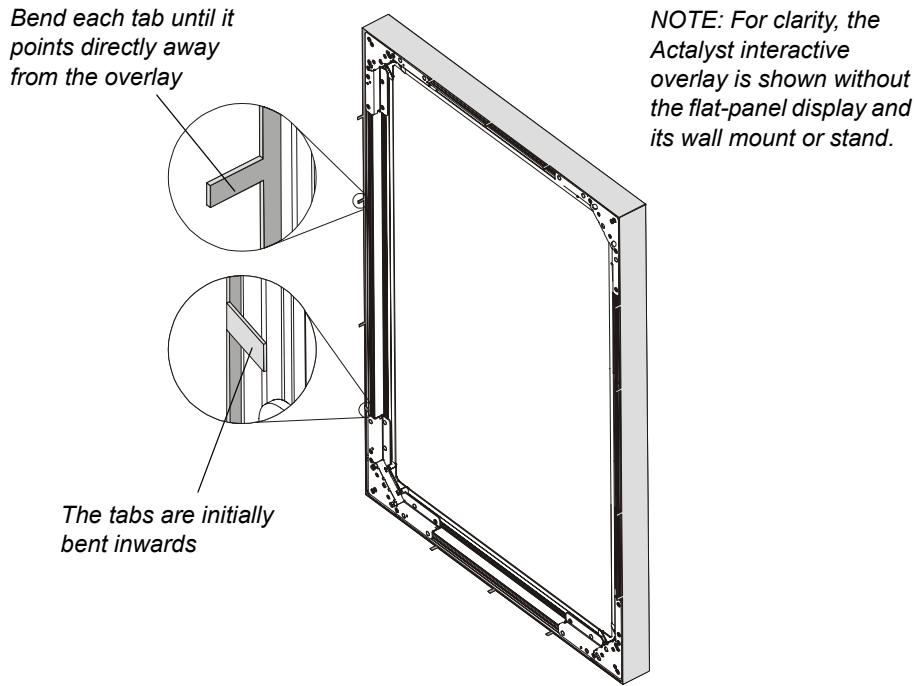
The method for removing the Frame varies depending upon whether you have access to the Frame's tabs when the Actalyst interactive overlay is mounted:

- If you have access to the tabs, complete the procedure on the next page.
- If you don't have access to the tabs (for example, if the back of the overlay is against a wall) complete the procedure on page 6.

**NOTE:** If possible, remove the Frame without removing the overlay from the flat-panel display, as this method is quicker.

**To remove the Frame without removing the Actalyst interactive overlay from the flat-panel display**

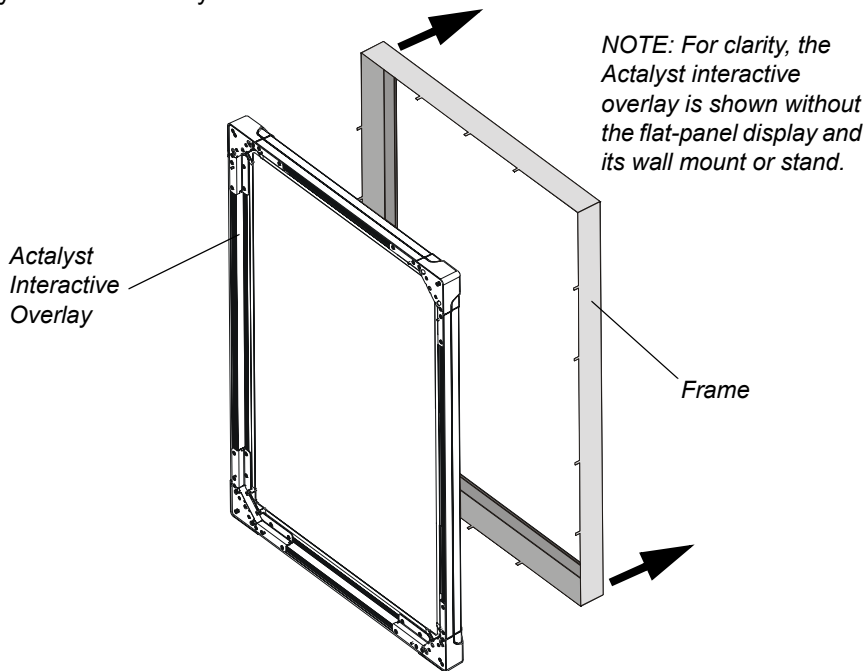
1. Using a flathead screwdriver, bend each of the tabs so that they point directly away from the Actalyst interactive overlay.



**CAUTION** You only need to bend the tabs far enough to ensure that the tabs will not scratch the overlay as you remove the Frame. If you bend them beyond this point, you may cause unnecessary wear and tear to the tabs.

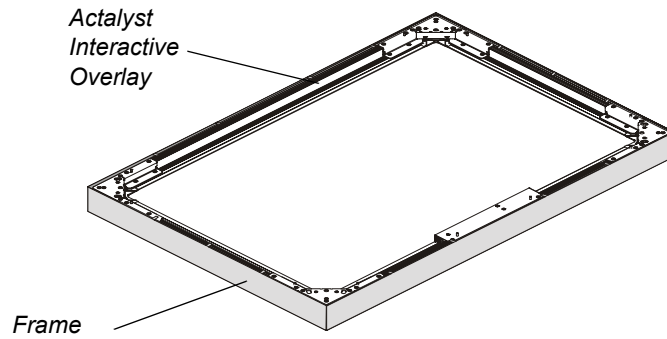
**NOTE:** If you don't have enough access to the tabs to bend them, you'll have to uninstall the overlay (page 6).

2. Lift the Frame away from the overlay.

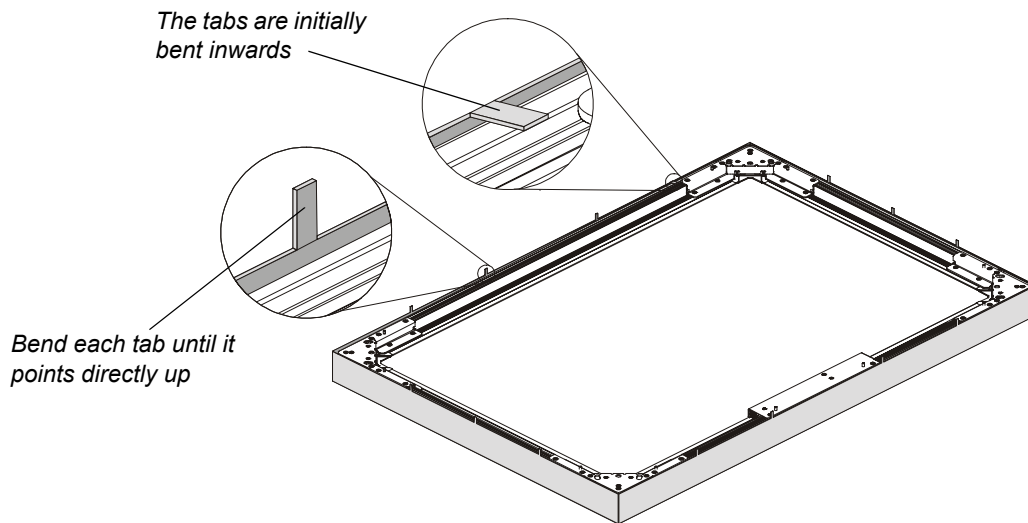


**To remove the Frame by removing the Actalyst interactive overlay from the flat-panel display**

1. Remove the Actalyst interactive overlay and its Frame from the flat-panel display. Place the overlay and the Frame facedown on a flat surface.



2. Using a flathead screwdriver, bend each tab so that they point up.



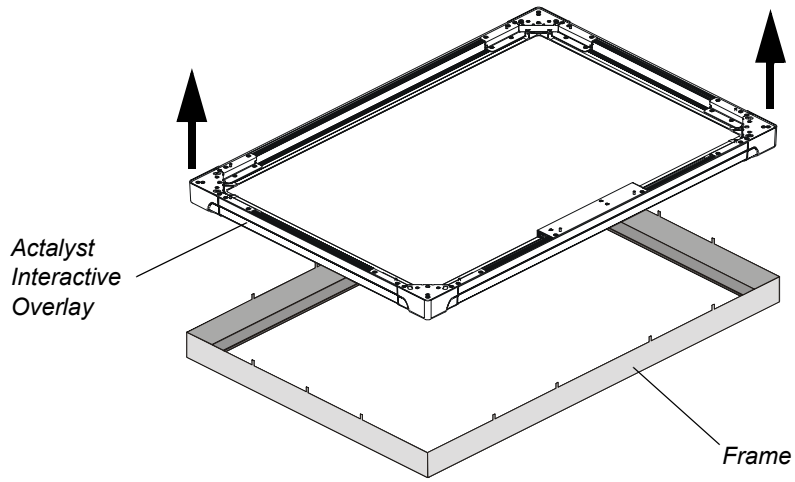
3. Check that none of the tabs bend even slightly inwards. If they do, they could scratch the overlay as you lift it out of the Frame.

**CAUTION**



You only need to bend the tabs far enough to ensure that the tabs will not scratch the overlay as you lift the overlay out of the Frame. If you bend them beyond this point, you may cause unnecessary wear and tear to the tabs.

4. Lift the overlay out of the Frame.



# Customer Support

---

## Contacting SMART Technical Support

SMART's Technical Support team welcomes your call. However, you may first want to contact your local reseller if you experience any difficulties with your SMART product, as they may be able to solve the problem without delay.

All SMART products include free telephone, fax and e-mail support.

**Telephone:** 1.866.518.6791 (toll-free in Canada/U.S.) or +1.403.228.5940 (all other countries)  
(Available 7 a.m. – 6 p.m. Mountain time from Monday to Friday)

**Fax:** +1.403.806.1256

**E-mail:** [support@smarttech.com](mailto:support@smarttech.com)

**Web Site:** [www.smarttech.com/support](http://www.smarttech.com/support)

## General Inquiries

**Main Switchboard:** 1.888.42.SMART (toll-free in Canada/U.S.) or +1.403.245.0333 (all other countries)

**Fax:** +1.403.228.2500

**E-mail:** [info@smarttech.com](mailto:info@smarttech.com)

**Address:** SMART Technologies Inc.  
Suite 300, 1207 – 11th Avenue SW  
Calgary, AB CANADA T3C 0M5