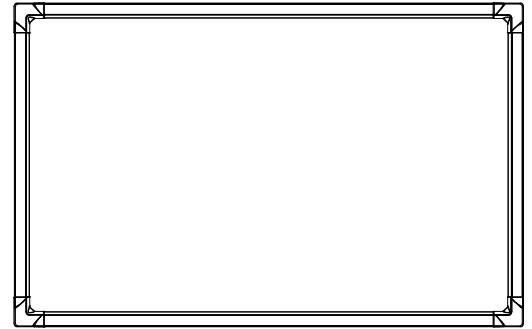


Actalyst™ Interactive Digital Signage

Specifications – Model KLX332 for Select 32" Flat-Panel Displays

Physical Specifications

Size	36 3/4" W × 24 3/4" H × 2 3/8" D (93.3 cm × 62.9 cm × 6.0 cm)
Weight	47 lb. (21.3 kg)
Shipping Size	47" W × 58" H × 21" D (119.4 cm × 147.3 cm × 53.3 cm)
Shipping Weight	110 lb. (50.0 kg)



All dimensions +/- 1/8" (3.2 mm). All weights +/- 2 lb. (0.9 kg).

Standard Features

Software	Actalyst™ interactive overlay touch driver software. Upgrades are available at smarttech.com/software .
Controller	You can mount the controller on the back of the interactive overlay with two included thumbscrews. A modular cable connects the interactive overlay to the controller, and the controller connects to a computer with the included 21'6" (6.5 m) USB/serial converter cable. The DB9 serial connector connects to the controller, and the USB controller connects to an available USB receptacle on the computer.
Mounting Bracket	The mounting bracket has an adjustable depth feature to accommodate most 32" flat-panel displays installed in a landscape orientation
Front Surface Material	Hard-coated, anti-glare polyester that's designed for optimal light transmission. Chemical and scratch resistant.
Digitizing Technology	DViT™ (Digital Vision Touch) technology uses digital cameras in the top two corners of the interactive overlay to track an object interacting with the display surface
Power Requirements	Switching power supply, 100V–250V AC, 47 Hz–63 Hz, 12V DC 4.2A, 6' (1.8 m) power cord
Power Consumption	Power consumption is up to 40 W.
Compliance	CE, WEEE, RoHS (Europe), RoHS (China)
Warranty	Two-year limited equipment warranty
Installation Notes	You can install the interactive overlay on a flat-panel display that will be securely mounted to a wall or floor stand. However, because of stability and mechanical fit issues, table stands are not recommended. You cannot attach speakers directly to the sides of a flat-panel display when an interactive overlay is installed.

Computer Requirements

Windows® Computers	Pentium® II 450 MHz processor 128 MB of RAM (256 MB recommended) 60 MB of free hard disk space Windows 2000, Windows XP or Windows Vista™ operating system Internet Explorer® internet browser 6.0 or later
---------------------------	---

Specifications – Model KLX332 for Select 32" Flat-Panel Displays

Mac Computers	700 MHz processor (1 GHz or faster recommended) 97 MB of RAM (256 MB recommended) 75 MB of free hard disk space Mac OS X version 10.4.x operating system software Safari application program version 1.3.2 or later SMART Board software version 9.7 supports both PowerPC® and Intel® processors (universal binary)
Linux® Computers	Pentium II 450 MHz processor 128 MB of RAM (256 MB recommended) 28 MB of free hard disk space Linux kernel version 2.6 or later X Window System™ version 11 release 6 (X11R6) or later (must support XRender, Xinerama™, XFixes, Xau and Xdmcp) glibc 2.3.3 (gcc 3.4.2) libstdc++6 GNOME™ 2.8.0+ or KDE® 3.3+ libraries (recommended) SUSE™ 10, Red Hat® Enterprise Linux 4 WS, Debian® 3.1 (Sarge), Ubuntu® 6.06 LTS or Fedora™ Core 3+

Storage and Operating Specifications

Storage	-40°F to 95°F (-40°C to 35°C) with up to 80% humidity (non-condensing)
Operation	41°F to 95°F (5°C to 35°C) with up to 80% humidity (non-condensing)

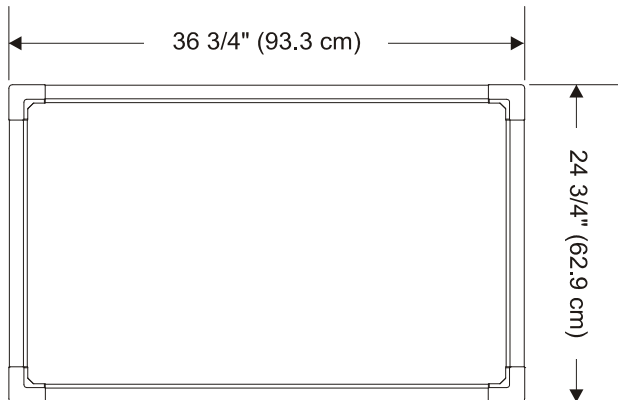
SMART Order Number

KLX332	Actalyst interactive overlay for select 32" flat panel displays in landscape orientation
---------------	--

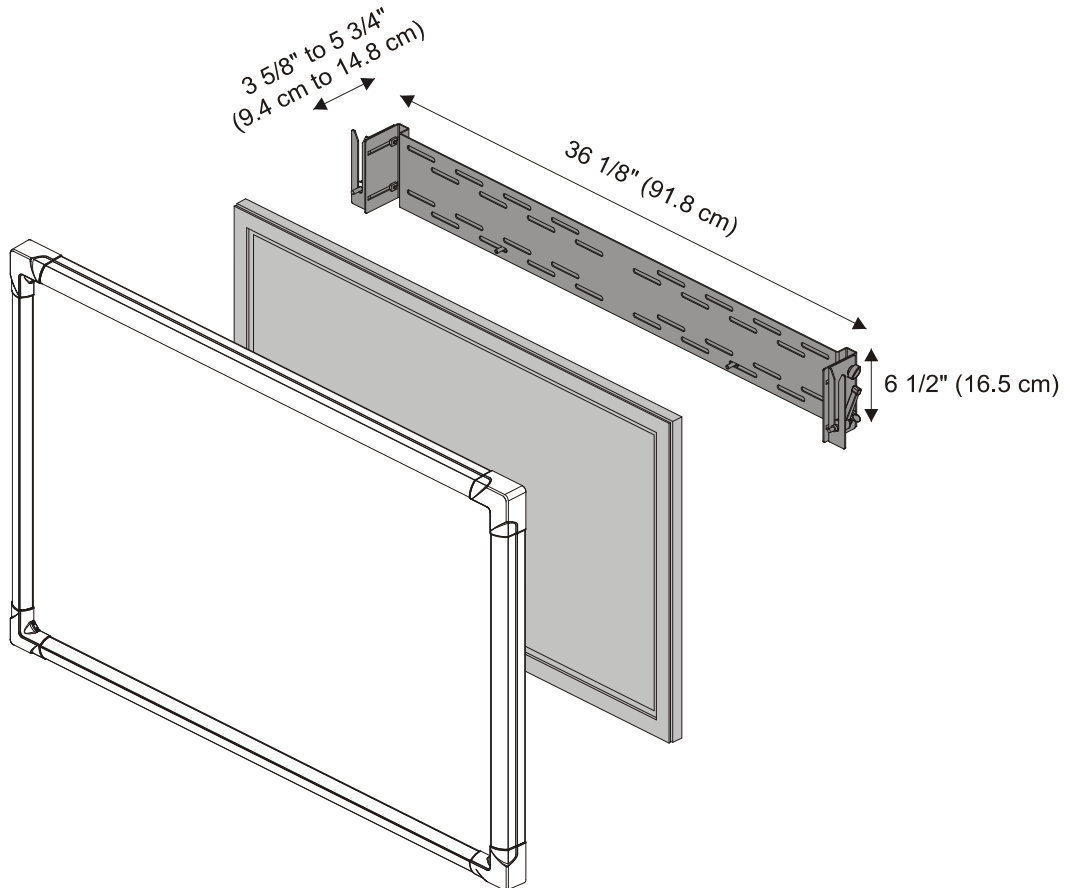
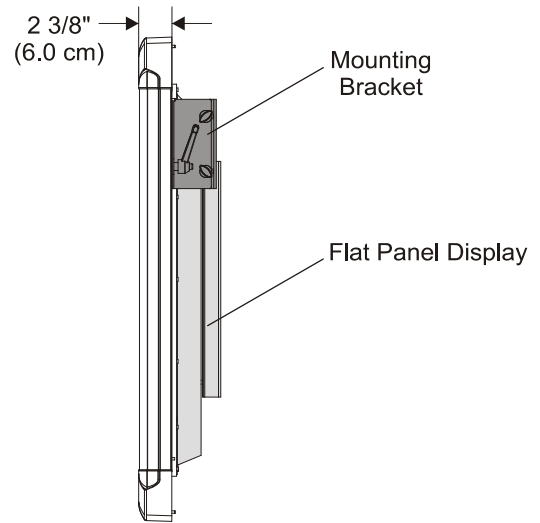
Specifications – Model KLX332 for Select 32" Flat-Panel Displays

Dimensions

Front View



Side View



SMART Technologies

3636 Research Road
Calgary, AB T2L 1Y1
CANADA

www.smarttech.com/support www.smarttech.com/contactsupport
Support +1.403.228-5940 or Toll Free 1.866.518.6791 (Canada/U.S.)

SMART
Technologies

© 2004–2010 SMART Technologies ULC. All rights reserved. Actalyst, DVIT, smarttech and the SMART logo are trademarks or registered trademarks of SMART Technologies ULC in the U.S. and/or other countries. Windows and Windows Vista are either registered trademarks or trademarks of Microsoft Corporation in the U.S. and/or other countries. All other third-party product and company names may be trademarks of their respective owners. Patents Nos. US5448263; US6141000; US6337681; US6747636; US6803906; US6919880; US6947032; US6954197; US7184030; US7236162; US7289113; US7411575; US7619617; US7626577; US7643006; US7692625; CA2058219; CA2386094; EP1297488; ES2279823; ZL0181236.0; DE60124549; [Other] patents pending. Specifications are subject to change without notice. 07/2010.